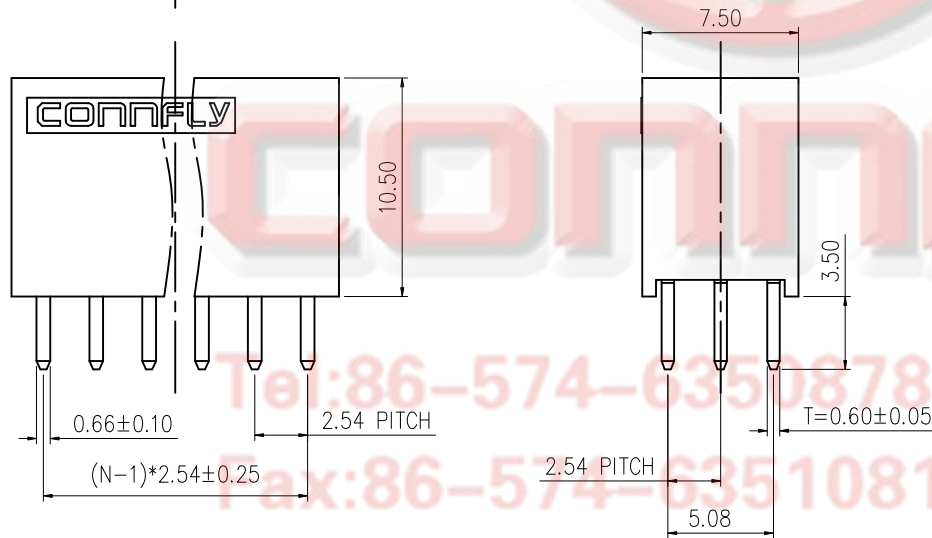
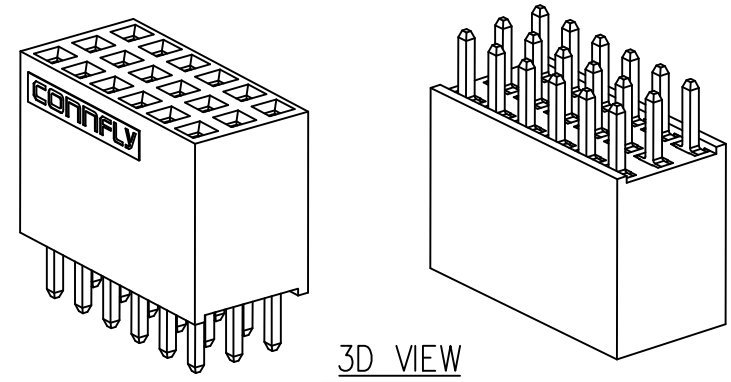
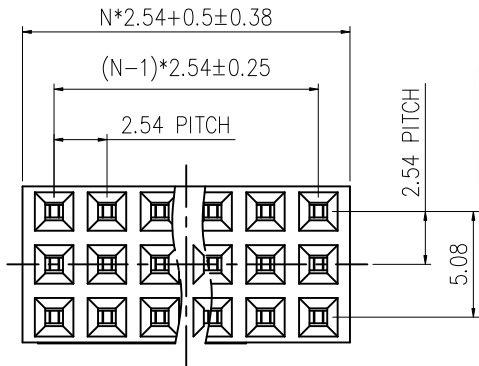


REV.	DESCRIPTION	DRAWN	CHECKED	APPROVED
A	NEW RELEASE	Andy_H 06/16/17'		

N: NUMBER OF CONTACTS/3



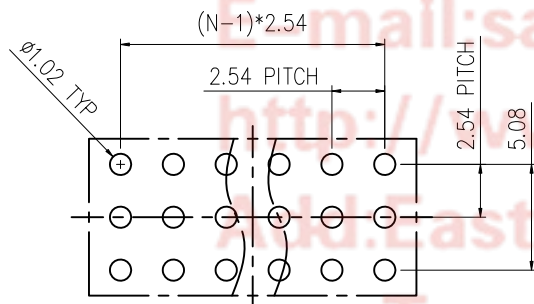
NOTES:

- Material:
Insulator: PBT With glass fiber. UL94 V-0.
Contact: Copper alloy.
- Electrical performance
Current rating: 1.9A.
Contact resistance: 20mΩ maximum.
Insulation resistance: 1000MΩ minimum.
Dielectric withstanding voltage: 500V AC(r.m.s) per 60s.
- Environment performance:
Temperature range: -55°C~+125°C.
- Mechanical performance:
Mating force: 150g per pin maximum.
Withdrawal force: 30g per pin minimum.
- Recommend PCB thickness: 1.6mm
- Product number code:
PC104-016 - XX X X

No. of positions:
3*2 ~ 3*40

Color:
B: Black
A: Gray

Contact plating:
0: Selective gold flash (contact area)
1: Selective 10u" gold(contact area)
3: Selective 30u" gold(contact area)
6: Full Matt Tin(General Mode)
8: Full gold flash



RECOMMENDED PCB LAYOUT
TOLERANCE=0.05MM

GENERAL TOLERANCE	ANGLE TOLERANCE	PROJECTION	TITLE	2.54mm Female Header V/T Type
X. ±0.50	X. ±10°		UNITS	0.6t H=10.5mm
.X ±0.38	.X ±5°	mm	SHEET SIZE	A4
.XX ±0.25	.XX ±3°		SERIES	PC104-016 SERIES
.XXX ±0.10	.XXX ±1°			
DRAWING TYPE	CUSTOMERS	晨翔电子有限公司 CONNFLY CONNFLY ELECTRONIC CO. LTD		
SCALE	1:1 SHEET 1 OF 1			
DRAWING NO.	C-PC104-016-XXX-A			