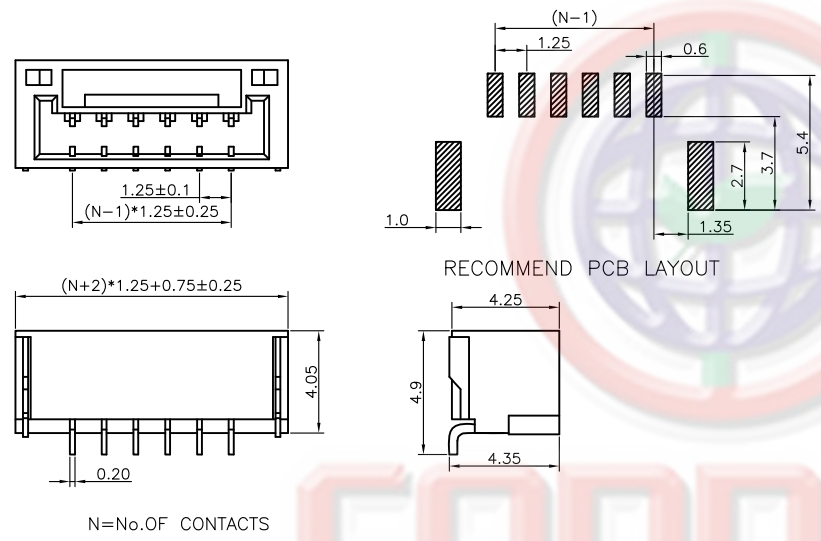


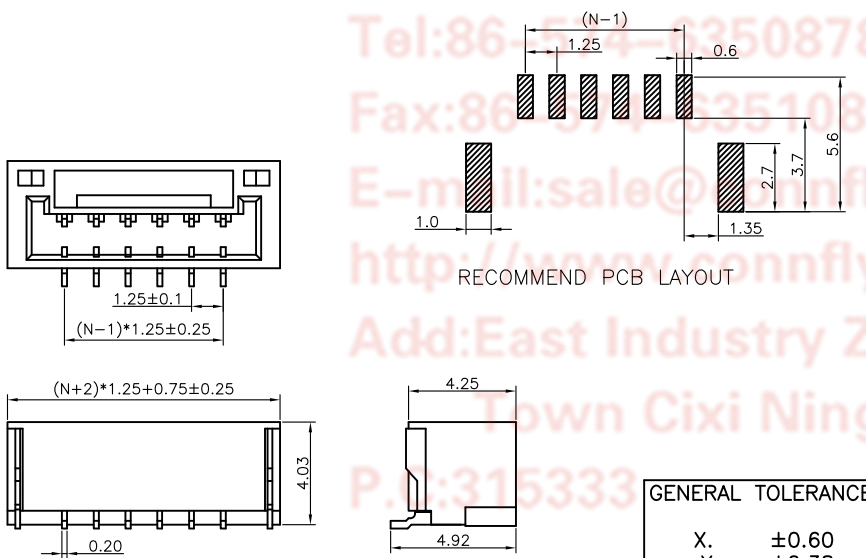
REV.	DESCRIPTION	DRAWN	CHECKED	APPROVED
A	NEW RELEASE	JLZ 08/04/17'	~	

R/A TYPE



N=No.OF CONTACTS

V/T TYPE



N=No.OF CONTACTS

NOTES:

- ELECTRICAL CHARACTERISTICS:
  - CONTACT RESISTANCE: 20mΩ Max.
  - DIELECTRIC WITHSTANDING VOLTAGE: 500V AC(rms) FOR 1 MINUTE.
  - INSULATION RESISTANCE: 100MΩ Min.
  - CURRENT RATING: 1A AC/DC.
  - VOLTAGE RATING: 50V AC/DC
- ENVIRONMENT CHARACTERISTICS:
  - TEMPERATURE: -25°C~+85°C.
- MATERIALS
  - CONTACT MATERIAL: COPPER ALLOY.
  - CONTACT PLATING: TIN.
  - INSULATOR: THERMOPLASTIC (UL 94V-0).
- PRODUCT NUMBER CODE:

DS1147-04 - X X X X X X

- PACKING TYPE
- B: TUBE
- R: TAPE OR REEL
- CONTACT PLATING
- 6: FULL TIN
- HOUSING COLOR
- V: IVORY
- MOUNTING TYPE
- R: R/A TYPE
- V: V/T TYPE
- CONNECTOR TYPE
- M: MALE
- No.OF CONTACTS
- 2~20

Tel: 86 574 3508787  
 Fax: 86 574 3510317  
 E-mail: sale@connfly.com  
 http://www.connfly.com  
 Add: East Industry Zone KuangYan  
 Town Cixi Ningbo China  
 P.O.: 315333

GENERAL TOLERANCE		ANGLE TOLERANCE	
X.	±0.60	X.	±5°
.X	±0.38	.X	±3°
.XX	±0.25	.XX	±2°
DRAWING TYPE		CUSTOMER	
SCALE		1:1	SHEET 1 OF 2
DRAWING NO.		C-DS1147-04-XXXXX-A	

PROJECTION		TITLE	1.25mm WAFER CONNECTOR SMT TYPE
UNITS	mm	SERIES	DS1147-04 SERIES
SHEET SIZE	A4		

晨翔电子有限公司  
**CONNFLY CONNFLY ELECTRONIC CO. LTD**

REV.	DESCRIPTION	DRAWN	CHECKED	APPROVED
A	NEW RELEASE	JLZ 07/27/15'		

NOTES:

1. MAIN SPECIFICATIONS

- . Housing material: NYLON 66
- . Contact material: Copper Alloy
- . Rated voltage: 50V
- . Rated current: 1A
- . Contact resistance:  $\leq 30m\Omega$
- . Insulation resistance:  $\geq 100M\Omega$
- . Withstanding voltage: 500V,AC 1 minute
- . Temperature range:  $-25 \sim +85^{\circ}C$

2. PRODUCT NUMBER CODE:

Terminal

T - DS1147-04 - S C X 0 0

Contact Plating  
6: Tin

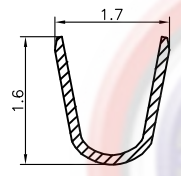
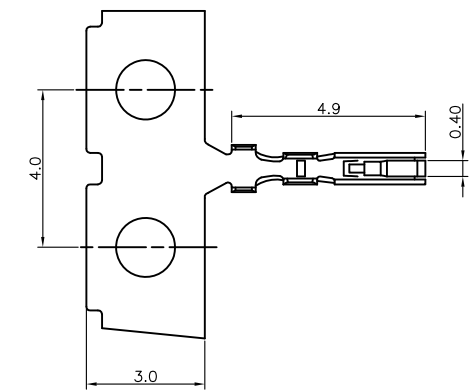
Housing

I - DS1147-04 - S C X 0 X

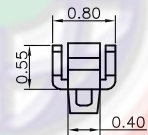
No.of hole  
02~15

Housing color  
W: White

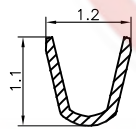
Terminal



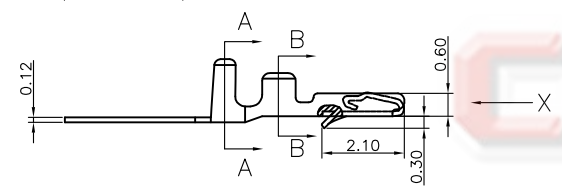
A-A



X VIEW

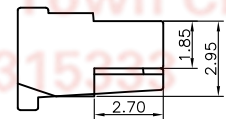
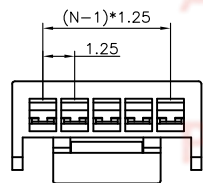
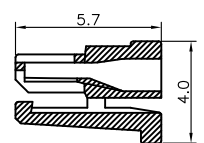
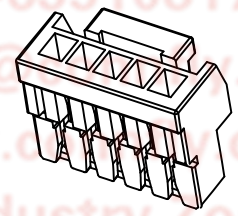
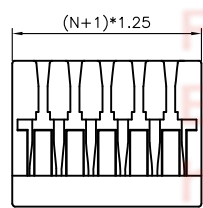


B-B



Housing

N=No.of hole



GENERAL TOLERANCE		ANGLE TOLERANCE		PROJECTION	TITLE
X.	$\pm 0.60$	X.	$\pm 5^{\circ}$		1.25mm Terminal & Housing GH TYPE
.X	$\pm 0.38$	.X	$\pm 3^{\circ}$	UNITS	mm
.XX	$\pm 0.25$	.XX	$\pm 2^{\circ}$	SHEET SIZE	A4
DRAWING TYPE				CUSTOMER	
SCALE		1:1	SHEET 2 OF 2		
DRAWING NO.		C-DS1147-04-XXXXX-A			
晨翔电子有限公司 <b>CONNFLY CONNFLY ELECTRONIC CO. LTD</b>					

Tel:86-574-63508787  
 Fax:86-574-63510817  
 E-mail:sale@connfly.com  
 http://www.connfly.com  
 Add:East Industry Zone KuangYan  
 Town Cixi Ningbo China  
 P.C:315225