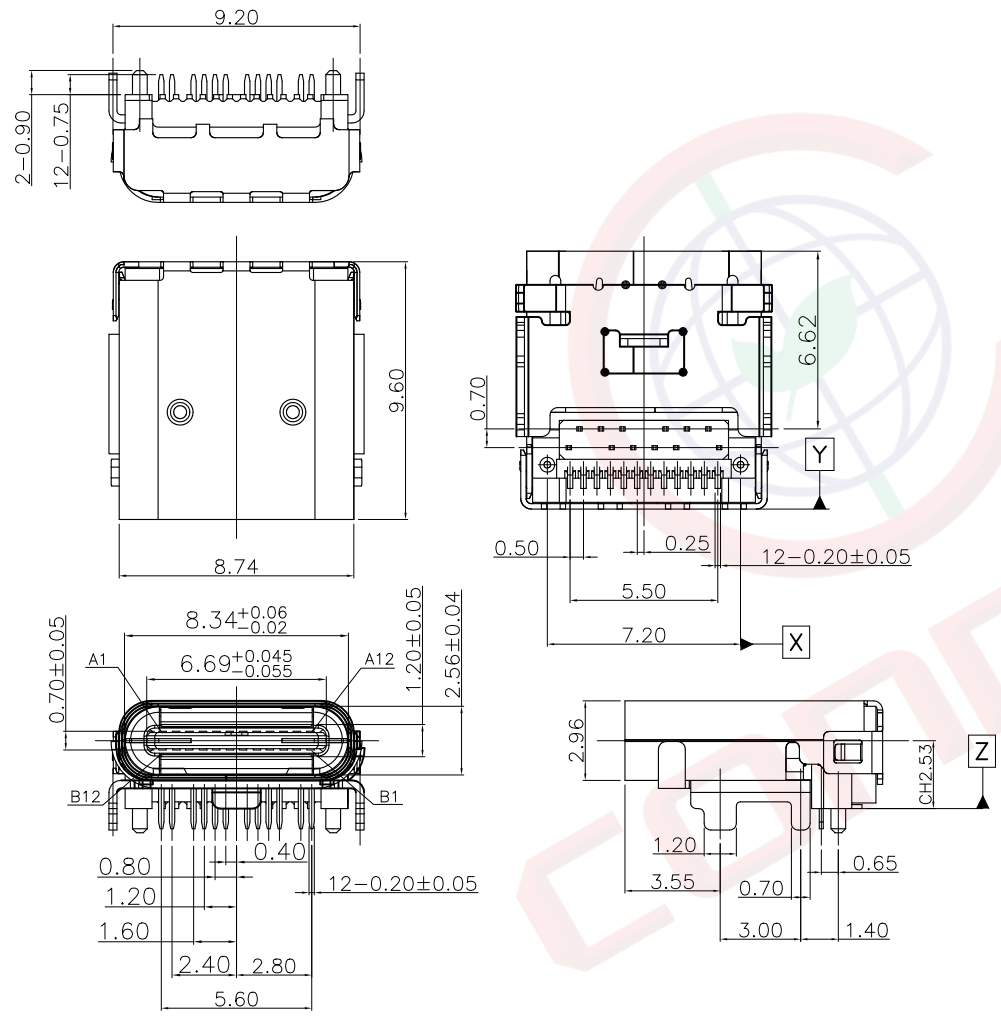


Dept	
Qty	
DC	1
ED	1
IE	1
ISO	1
PD	1
R&D	1
SD	1
QA	1
QC	1
QE	1

The information provided herein is from CONNELY Electronic Co., Ltd. and is confidential. Any disclosure to a party other than the recipient is prohibited. The intellectual properties and its rights contained herein, including but not limited to, trademarks, patents, copyrights, trade secrets, and technical know-how, are owned exclusively by CONNELY or its affiliates. Unauthorized use or reproduction of any part of this document is strictly prohibited. CONNELY may enforce its intellectual property rights at its own discretion, failures or delays to exercise such rights does not constitute a waiver of such rights.



(Series Image-Reference Only)

REV.	DESCRIPTION	DRAWN	CHECKED	APPROVED
A	NEW RELEASE	JLZ 01/19/21'		

NOTE:

- Material specification:
 - Housing: High temperature resistant plastic, UL94 V-0.
 - Contacts: Copper alloy
 - Shell: Stainless steel
- Electrical performance:
 - Current rating: 3.0A (For VBUS)
Voltage rating: 5.0V
 - LLCR:
 - Vbus & Gnd pins and other pins: 40mΩ/Pin Max.
Shield: 50mΩ/Max.
LLCR Max. Change of all pins: 10mΩ.
 - Insulation resistance: 100MΩ Min
 - Dielectric withstand voltage, AC 100V for 1 minute.
- Environmental performance:
 - Operating temperature: -25°C~+85°C.
- Ir reflow:
 - The peak temperature on the board shall be maintained for 10 seconds at 260°C.
- Product number code:

DS1144-32 - X X X X X X X 0

- Packing Type
R: Tape On Reel
- Shell Plating
N: Full Nickel
- Housing color
B: Black
- Contact Plating
0: Selective gold flash
08: Selective 8u" gold
- Mounting type
S: SMT type
- Connector type
F: Female
- No. of contacts
24: 24pin

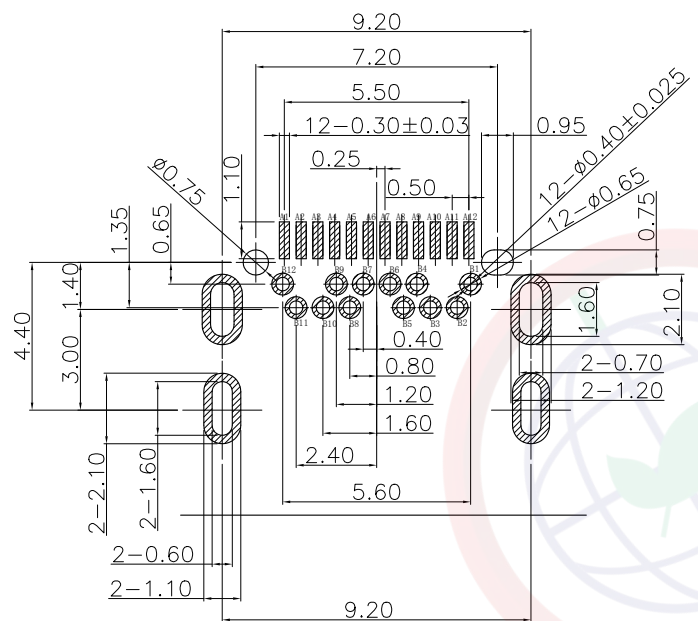
GENERAL TOLERANCE		ANGLE TOLERANCE	
X.	±0.60	X.	±5°
.X	±0.38	.X	±3°
.XX	±0.25	.XX	±2°
DRAWING TYPE		CUSTOMER	
SCALE	1:1	SHEET	1 OF 2
DRAWING NO.	C-DS1144-32-XXXXXX-A		

PROJECTION	TITLE	USB Type-C 24P Female Horizontal SMT Type L=9.6mm Centre-H=2.53mm	
UNITS	mm		
SHEET SIZE	A4	SERIES	DS1144-32 SERIES

晨翔电子有限公司
CONNFLY CONNELY ELECTRONIC CO. LTD

Dept	
Qty	
DC	1
ED	1
IE	1
ISO	1
PD	1
R&D	1
SD	1
QA	1
QC	1
QE	1

The information provided herein is from CONNELY Electronic Co., Ltd. and is confidential. Any disclosure to a party other than the recipient is prohibited. The intellectual properties and its rights contained herein, including but not limited to, trademarks, patents, copyrights, trade secrets, and technical know-how, are owned exclusively by CONNELY or its affiliates. Unauthorized use or reproduction of any part of this document is strictly prohibited. CONNELY may enforce its intellectual property rights at its own discretion, failures or delays to exercise such rights does not constitute a waiver of such rights.



PIN	SIGNAL NAME	PIN	SIGNAL NAME
A1	GND	B12	GND
A2	TX1+	B11	RX1+
A3	TX1-	B10	RX1-
A4	VBUS	B9	VBUS
A5	CC1	B8	SBU2
A6	D+	B7	D-
A7	D-	B6	D+
A8	SBU1	B5	CC2
A9	VBUS	B4	VBUS
A10	RX2-	B3	TX2-
A11	RX2+	B2	TX2+
A12	GND	B1	GND

REV.	DESCRIPTION	DRAWN	CHECKED	APPROVED
A	NEW RELEASE	JLZ 01/19/21'		

- NOTE:
- Material specification:
 - Housing: High temperature resistant plastic, UL94 V-0.
 - Contacts: Copper alloy
 - Shell: Stainless steel
 - Electrical performance:
 - Current rating: 3.0A (For VBUS)
Voltage rating: 5.0V
 - LLCR:
 - Vbus & Gnd pins and other pins: 40mΩ/Pin Max.
Shield: 50mΩ/Max.
LLCR Max. Change of all pins: 10mΩ.
 - Insulation resistance: 100MΩ Min
 - Dielectric withstand voltage, AC 100V for 1 minute.
 - Environmental performance:
 - Operating temperature: -25°C~+85°C.
 - Ir reflow:
 - The peak temperature on the board shall be maintained for 10 seconds at 260°C.
 - Product number code:

DS1144-32 - X X X X X X X 0

- Packing Type
R: Tape On Reel
- Shell Plating
N: Full Nickel
- Housing color
B: Black
- Contact Plating
0: Selective gold flash
08: Selective 8u" gold
- Mounting type
S: SMT type
- Connector type
F: Female
- No. of contacts
24: 24pin

GENERAL TOLERANCE		ANGLE TOLERANCE		PROJECTION		TITLE	USB Type-C 24P Female Horizontal SMT Type L=9.6mm Centre-H=2.53mm		
X.	±0.60	X.	±5°	UNITS	mm	SHEET SIZE	A4	SERIES	DS1144-32 SERIES
.X	±0.38	.X	±3°	晨翔电子有限公司 CONNFLY CONNELY ELECTRONIC CO. LTD					
.XX	±0.25	.XX	±2°						
DRAWING TYPE		CUSTOMER							
SCALE		1:1		SHEET		2 OF 2			
DRAWING NO.		C-DS1144-32-XXXXXX-A							