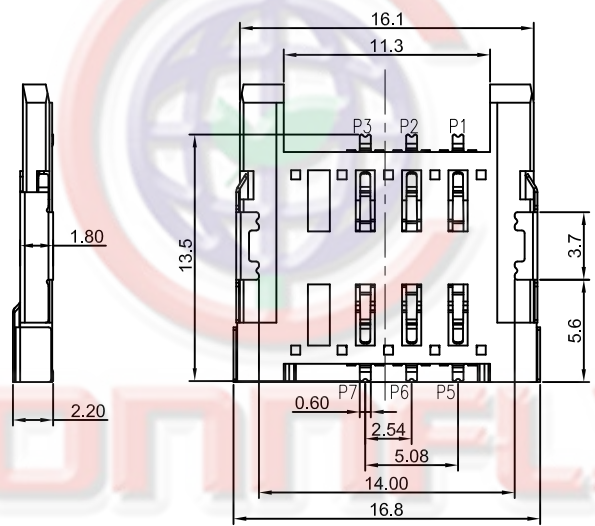
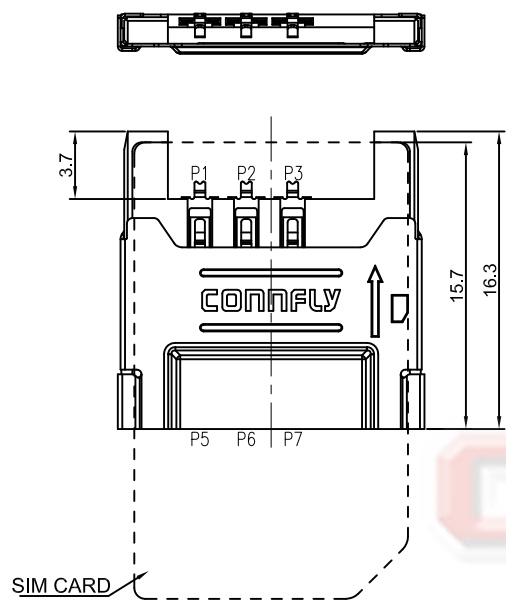


Dept  
Qty  
DC 1  
ED 1  
IE 1  
ISO 1  
PD 1  
R&D 1  
SD 1  
QA 1  
QC 1  
QE 1

The information provided herein is from CONNELY Electronic Co., Ltd. and is confidential. Any disclosure to a party other than the recipient is prohibited. The intellectual properties and its rights contained herein, including but not limited to, trademarks, patents, copyrights, trade secrets, and technical know-how, are owned exclusively by CONNELY or its affiliates. Unauthorized use or reproduction of this document in any form or manner, without the prior written consent of CONNELY, is strictly prohibited. CONNELY may enforce its intellectual property rights at its own discretion; failures or delays to exercise such rights does not constitute a waiver of such rights.

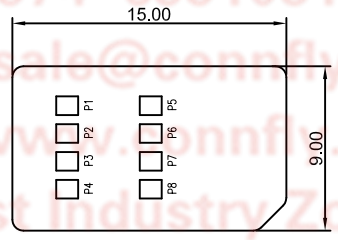
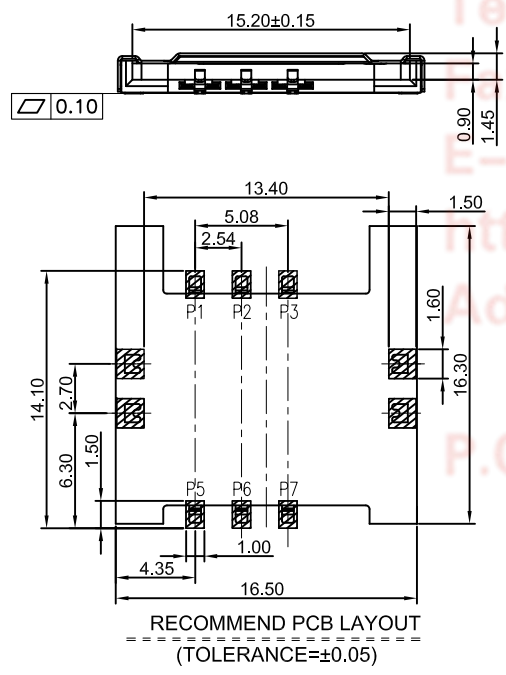
REV.	DESCRIPTION	DRAWN	CHECKED	APPROVED
A	NEW RELEASE	QHZ 12/06/18'		



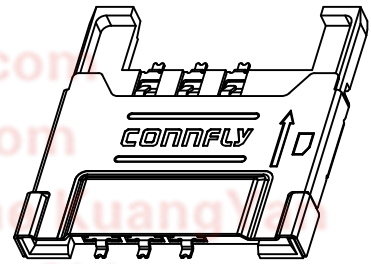
- Notes:
- Material:
    - Housing: High Temp., UL 94V-0 Color of Black.
    - Contacts: Copper Alloy.
    - Shell: Stainless Steel.
  - Finish:
    - Contact Area: Gold Over Nickel
    - Solder Area: Matte Tin.
  - Specifications:
    - Temperature Rated: -20°C TO +70°C
    - Contact Resistance: 100mΩ Max.
    - Insulation Resistance: 100MΩ Min.
    - Withstanding Voltage: 100V AC.
    - Current Rating: 0.5A.
  - Product Number Code:
 

DS1138-14 - XX X X X X X X

- Packing Type
- R: Tape On Reel
- Shell Plating
- S: Stainless
- Housing Color
- B: Black
- Contact Plating
- 0: Selective gold flash
- 4: Selective 3u" gold
- Mounting Type
- S: SMT type
- Connector Type
- S: Socket
- NO. Of Contacts
- 06:6Pin



SIM CARD DIMENSION  
(TOLERANCE=±0.05)



3D VIEW

TABLE A

PIN NO.	PIN NAME
P1	Supply Voltage Vcc
P2	Reset (RST)
P3	Clock (CLK)
P4	N/A
P5	Ground
P6	Programming Voltage Vpp
P7	I/O
P8	N/A

GENERAL TOLERANCE	ANGLE TOLERANCE
X. ±0.60	X. ±5°
.X ±0.38	.X ±3°
.XX ±0.25	.XX ±2°

PROJECTION		TITLE	2.54mm SIM Card 6 Positions
UNITS	mm	SHEET SIZE	A4
SHEET SIZE	A4	SERIES	DS1138-14 SERIES

DRAWING TYPE	CUSTOMER
SCALE	1:1 SHEET 1 OF 1
DRAWING NO.	C-DS1138-14-XXXXXXX-A

晨翔电子有限公司  
CONNELY CONNELY ELECTRONIC CO. LTD