

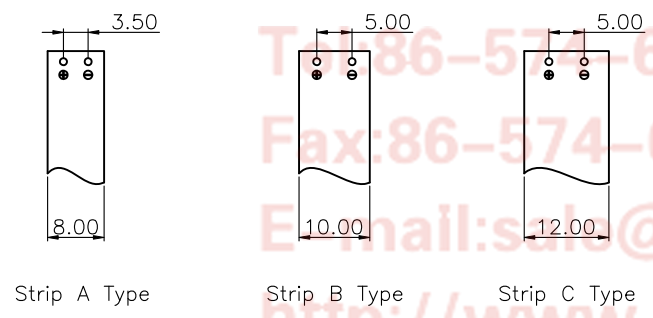
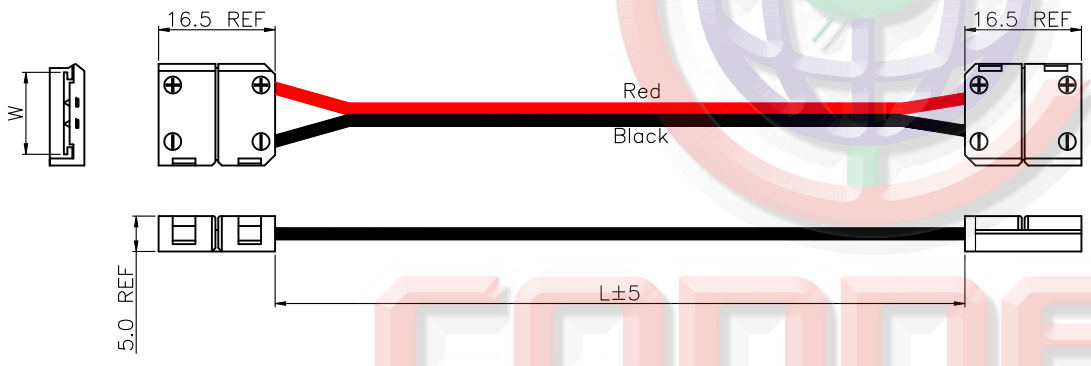
REV.	DESCRIPTION	DRAWN	CHECKED	APPROVED
A	NEW RELEASE	JLZ 06/23/17'		

NOTES:

- Materials:
 - Housing: PA66 Colour:White.
 - Contact: Copper Alloy, Plating Tin.
 - Tooth Slice:Steel, Plating Tin,
- Specifications:
 - Contact Resistance: 30mΩ maximum.
 - Insulation Resistance: 1000MΩ minimum.
 - Dielectric Withstanding Voltage: 1000V AC 1 minute.
 - Current: 5A AC,DC.
 - Voltage: 12~24V DC.
 - Application wire range:AWG22.
 - Application strip thickness:0.3mm.
 - Temperature: -20°C~+60°C.
- Product Number Code:

DS1137-31 - X X X X X X X X

- Strip Width(Dim W)
A: 8mm B: 10mm
C: 12mm
- Wire length(Dim L)
150: 150mm
.....
- Housing Color
W: White
- Pin plating
6: Full tin.
- Mounting type
D: IDC type
- Wire Gauge
22:UL2468 22AWG
- Connector type
F: Female
- No. of positions
2: 2p



Tel:86-574-63508787
 Fax:86-574-63510817
 E-mail:sales@connfly.com
<http://www.connfly.com>
 Add:East Industry Zone KuangYan
 Town Cixi Ningbo China
 P.C:315333

GENERAL TOLERANCE		ANGLE TOLERANCE		PROJECTION		TITLE	No-soldering 2 Pin RGB LED Strip	
X.	±0.60	X.	±5°	UNITS	mm	Single Connector Wired Cable		
.X	±0.38	.X	±3°	SHEET SIZE	A4	SERIES	DS1137-31 SERIES	
.XX	±0.25	.XX	±2°	晨翔电子有限公司 CONNFLY CONNFLY ELECTRONIC CO. LTD				
DRAWING TYPE		CUSTOMER						
SCALE	1:1	SHEET	1 OF 1					
DRAWING NO.		C-DS1137-31-XXXXXXX-A						