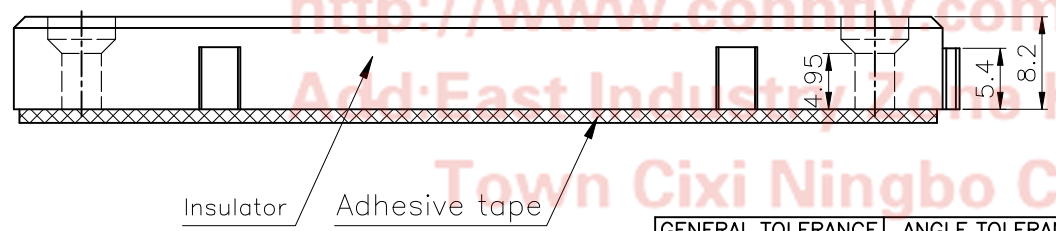
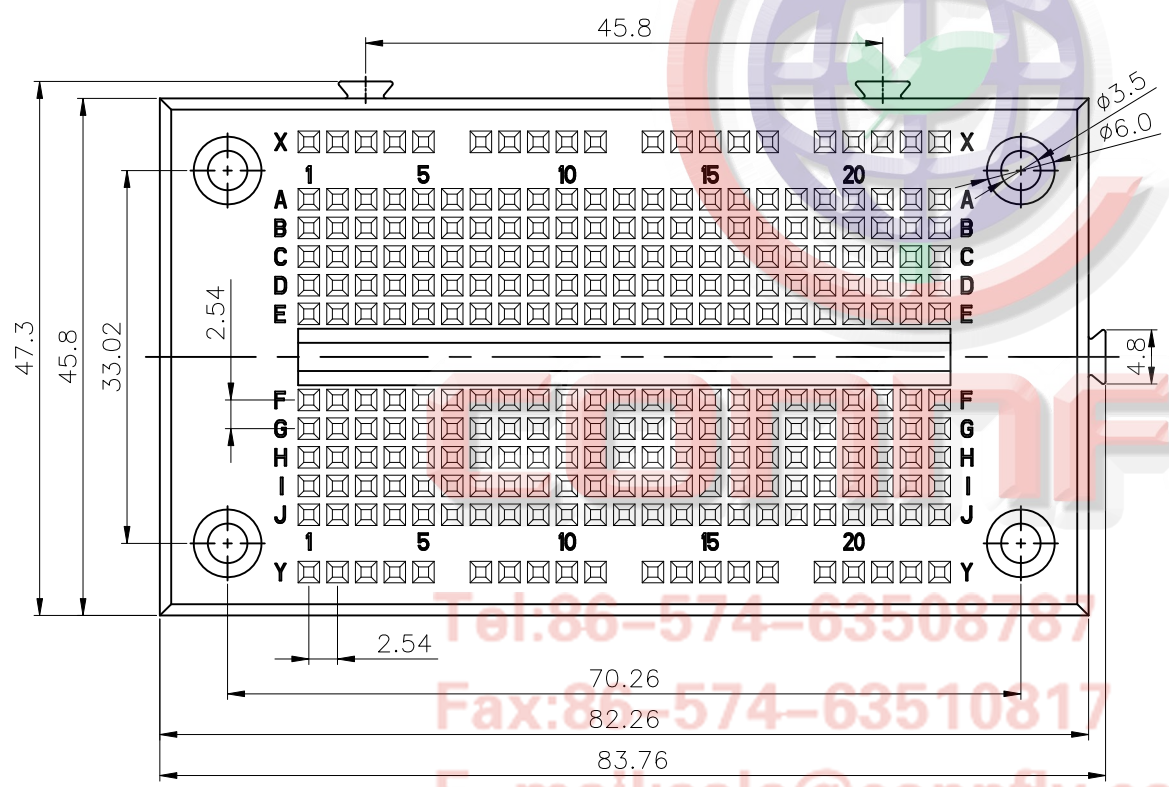
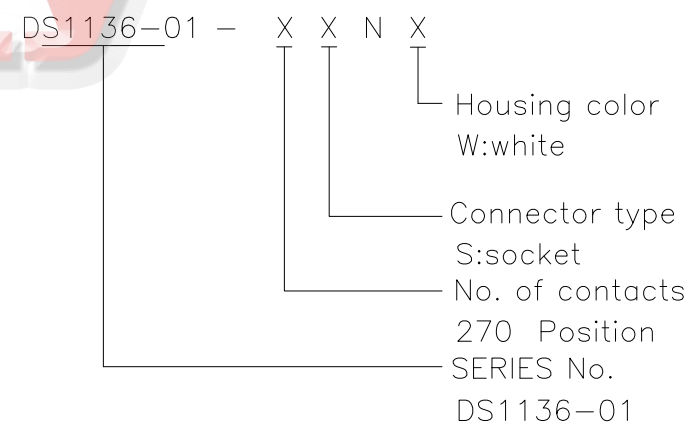


REV.	DESCRIPTION	DRAWN	CHECKED	APPROVED
A	NEW RELEASE	LL 05/05/06'		LJC 05/05/06'
B	DRAWING UPDATE	JLZ 05/09/16'	HZW 05/09/16'	LJC 05/09/16'

NOTES:

- 1.Materials
 - 1.1. Insulator: thermoplastic
- 2.Specifications
 - 2.1. Temperature range: -20~+80°C.
 - 2.2. Contact resistance: 100mΩ max.
 - 2.3. Insulation resistance: 1000MΩ min.
 - 2.4. Dielectric withstanding voltage: AC 500V Per minute.
- 3.Product number code:



Tel: 86-574-63508787
 Fax: 86-574-63510817
 E-mail: sale@connfly.com
 http://www.connfly.com
 Add: East Industry Zone KuangYan
 Town Cixi Ningbo China
 P.C: 315333

GENERAL TOLERANCE		ANGLE TOLERANCE		PROJECTION		TITLE	Bread Board pitch 2.54mm	
X.	±0.60	X.	±5°	UNITS	mm			
.X	±0.38	.X	±3°	SHEET SIZE	A4	SERIES	DS1136-01 SERIES	
.XX	±0.25	.XX	±2°	晨翔电子有限公司 CONNFLY CONNFLY ELECTRONIC CO. LTD				
DRAWING TYPE		CUSTOMER						
SCALE		1:1	SHEET 1 OF 1					
DRAWING NO.		C-DS1136-01-XXXX-B						