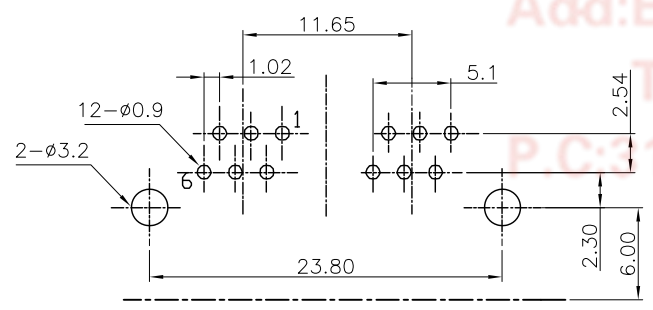
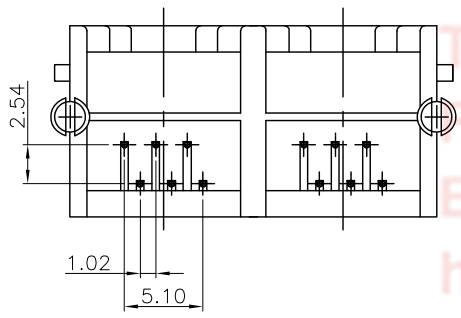
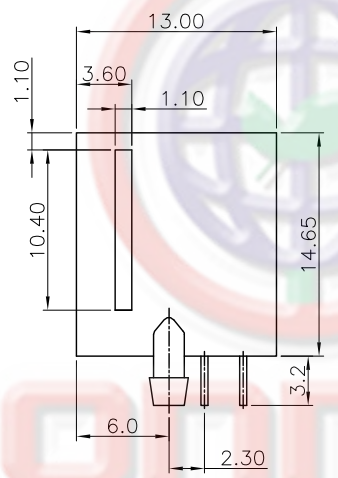
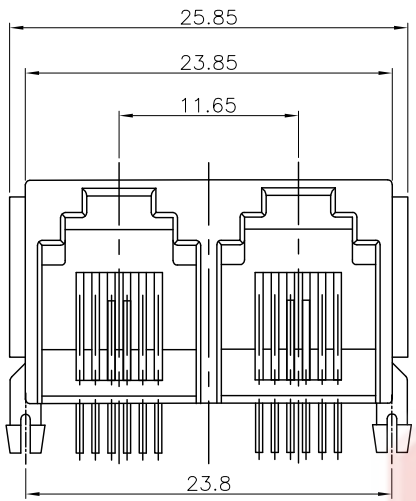


The information provided herein is from CONNELY Electronic Co., Ltd. and is confidential. Any disclosure to a party other than the recipient is prohibited. The intellectual properties and its rights contained herein, including but not limited to, trademarks, patents, copyrights, trade secrets, and technical know-how, are owned exclusively by CONNELY or its affiliates. Unauthorized use of this information in any format or manner. CONNELY may enforce its intellectual property rights at its own discretion; failures or delays to exercise such rights does not constitute a waiver of such rights.

1 2 3 4 5 6 7 8

REV.	DESCRIPTION	DRAWN	CHECKED	APPROVED
A	NEW RELEASE	JLZ 12/01/17'		



PCB LAYOUT

NOTES:

- ELECTRICAL CHARACTERISTICS:
 - CONTACT RESISTANCE: 20mΩ Max.
 - DIELECTRIC WITHSTANDING VOLTAGE: 500V AC(rms) FOR 1 MINUTE.
 - INSULATION RESISTANCE: 1000MΩ Min.
 - CURRENT RATING:1.5A.
 - VOLTAGE RATING:125V AC RMS.
- ENVIRONMENT CHARACTERISTICS:
 - TEMPERATURE: -40°C~+70°C.
- MATERIALS
 - CONTACT MATERIAL: COPPER ALLOY.
 - CONTACT PLATING: GOLD PLATING OVER NICKEL.
 - INSULATOR MATERIALS: PBT OR PA66,BLACK,UL94-V0.
- PRODUCT NUMBER CODE:

DS1133-13 - X X X X X X

- Ear Support
X:W/O Ear
S:W/ Ear
- Housing Materials
P:PBT
N:NYLON
- Contact Plating
8:Gold Flash
- Housing Color
A:Gray
B:Black
- No.Of Contacts
6:6P6C 4:6P4C 2:6P2C
- Connector Type
S:Socket

Tel:86-574-63508787
 Fax:86-574-63510817
 E-mail:sale@connfly.com
 http://www.connfly.com
 Add:East Industry Zone KuangYan
 Town Cixi Ningbo China
 P.C:315333

GENERAL TOLERANCE		ANGLE TOLERANCE		PROJECTION		TITLE	PCB Jack 6 Positions 1*2 Port W/O Shell					
X.	±0.60	X.	±5°	UNITS	mm	SHEET	A4					
.X	±0.38	.X	±3°	SHEET SIZE	A4	SERIES	DS1133-13 SERIES					
.XX	±0.25	.XX	±2°									
DRAWING TYPE		CUSTOMER		晨翔电子有限公司 CONNFLY CONNELY ELECTRONIC CO. LTD								
SCALE		1:1							SHEET		1 OF 1	
DRAWING NO.		C-DS1133-13-XXXXX-A										

1 2 3 4 5 6 7 8