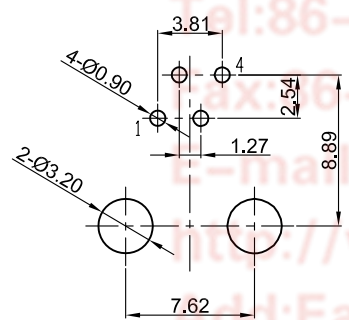
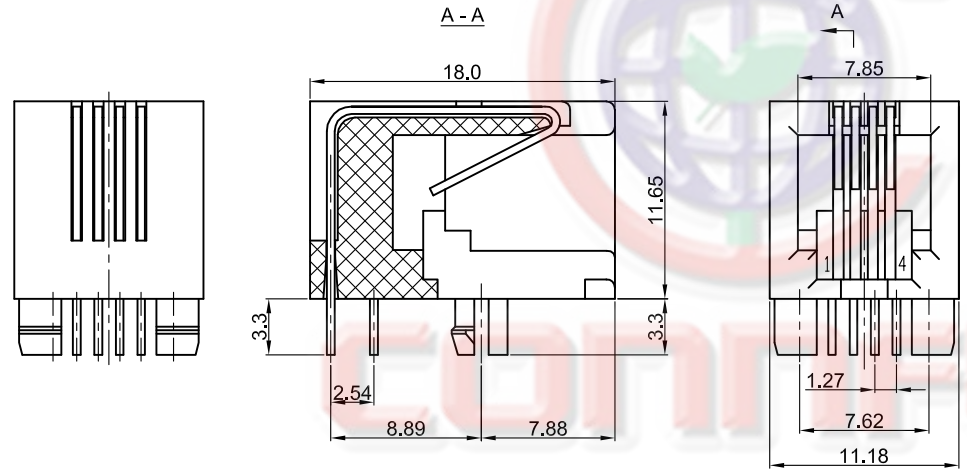


The information provided herein is from CONNELY Electronic Co., Ltd. and is confidential. Any disclosure to a party other than the recipient is prohibited. The intellectual properties and its rights contained herein, including but not limited to, trademarks, patents, copyrights, trade secrets, and technical know-how, are owned exclusively by CONNELY or its affiliates. Unauthorized use of this information in any format or manner. CONNELY may enforce its intellectual property rights at its own discretion; failures or delays to exercise such rights does not constitute a waiver of such rights.

1 2 3 4 5 6 7 8

REV.	DESCRIPTION	DRAWN	CHECKED	APPROVED
A	NEW RELEASE	YCH 04/13/09'		LJC 04/13/09'
B	DRAWING UPDATE	JLZ 06/28/19'		



RECOMMEND PCB LAYOUT
TOLERANCE=±0.05mm

Notes:

- Electrical Characteristics:
 - Contact Resistance: 20mΩ Max.
 - Dielectric Withstanding Voltage: 1000V AC(rms) For 1 Minute.
 - Insulation Resistance: 1000MΩ Min.
 - Current Rating: 1.5A.
 - Voltage Rating: 125V AC rms.
- Environment Characteristics:
 - Temperature: -40°C~+85°C.
- Materials:
 - Contact Material: Copper Alloy.
 - Contact Plating: Gold Plating Over Nickel.
 - Insulator Materials: PBT, UL94-V0.
- Product Number Code:

DS1132-01-X X X X X

- Ear Support
X:W/O Ear
- Housing Color
A:Gray B:Black
- Contact Plating
0:Gold Flash
3:3u" Gold
(6;15;30)Micro Inch
- No.Of Contacts
4:4P4C
- Connector Type
S:Socket

Tel:86-574-63508787
 Fax:86-574-63510817
 E-mail:sale@connfly.com
 http://www.connfly.com
 Add:East Industry Zone KuangYan
 Town Cixi Ningbo China
 P.C:315333

GENERAL TOLERANCE		ANGLE TOLERANCE		PROJECTION		TITLE
X.	±0.60	X.	±5°	UNITS	mm	PCB JACK 4p
.X	±0.38	.X	±3°	SHEET SIZE	A4	SERIES DS1132-01 SERIES
.XX	±0.25	.XX	±2°	晨翔电子有限公司 CONNFLY CONNELY ELECTRONIC CO. LTD		
DRAWING TYPE		CUSTOMER				
SCALE		1:1	SHEET 1 OF 1			
DRAWING NO.		C-DS1132-01-XXXXX-B				

1 2 3 4 5 6 7 8