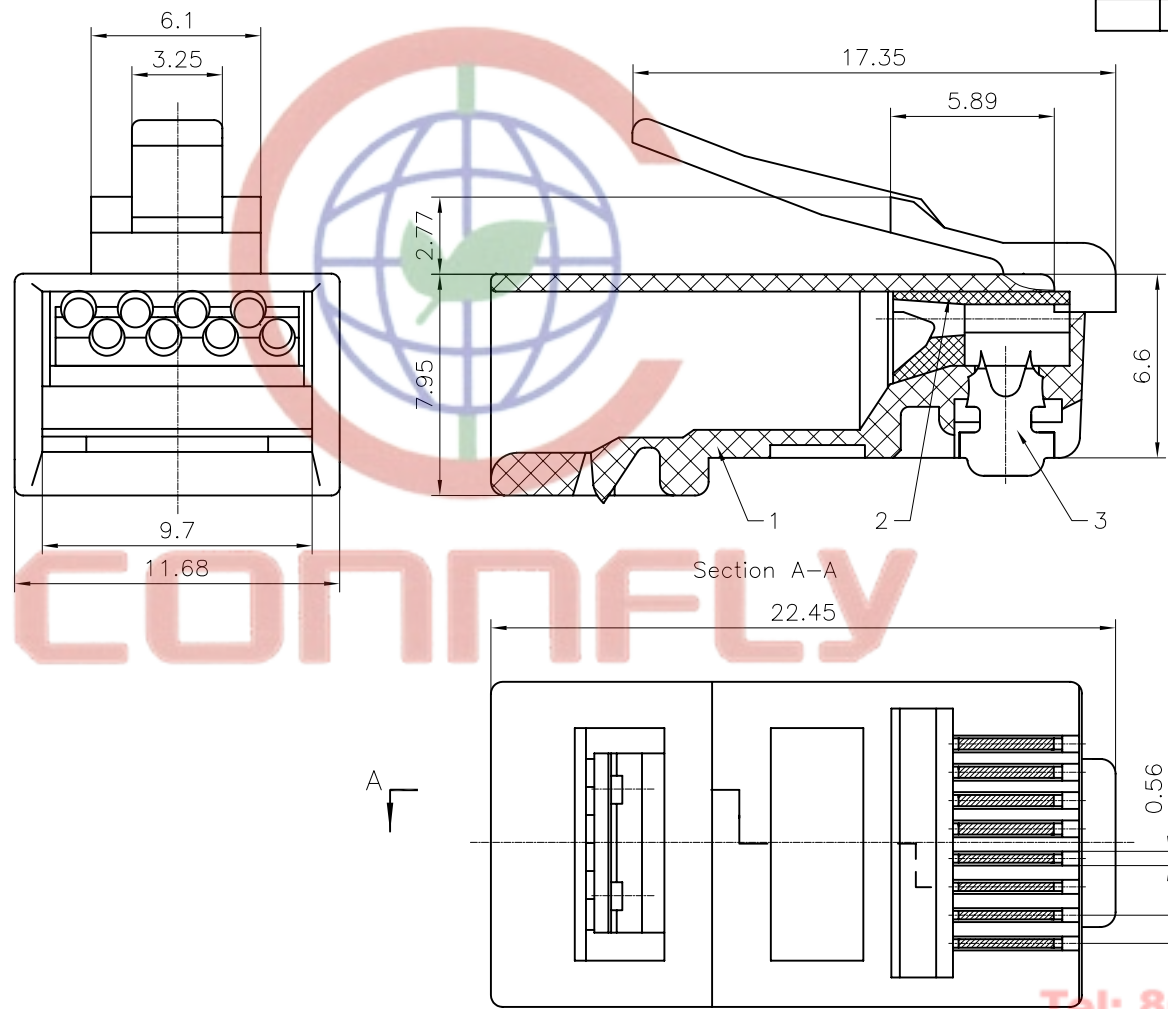


REV.	DESCRIPTION	DRAWN	CHECKED	APPROVED
A	NEW RELEASE	YCH 08/23/07'	~	



SPECIFICATION

- Insulation Resistance:1000MΩ Min.
- Withstand Voltage:500V AC/Minute.
- Durability:600 Cycles Min.
- Contact resistance:50mΩ max.
- Product Number Code:

DS1123-10 - X X X X

- Housing Color
T:Transparent
- Contact Plating
0:Gold Flash 15:15u''Au
3:3u''Au 30:30u''Au
6:6u''Au
- No.Of Contacts
8:8p8c
- Connector Type
P:Plug
- Series No.
DS1123-10

Tel: 86-574-63508787
Fax: 86-574-63510817

(3)	BLADE	8	Copper alloy	GOLD PLATING	GENERAL TOLERANCE	ANGLE TOLERANCE	PROJECTION	TITLE	PLUG 8P8C(UPPER 4 & LOWER 4) WITH COVER
(2)	COVER	1	PC	UL94 V-0 OR 94 V-2	X. ±0.60 .X ±0.38 .XX ±0.25	X. ±5' .X ±3' .XX ±2'	mm		
(1)	HOUSING	1	PC	UL94 V-0 OR 94 V-2	DRAWING TYPE	CUSTOMER	A4	SERIES	DS1123-10 SERIES
No.	PART NAME	Q'TY	MATERIAL	REMARK	SCALE	1:1	SHEET	1 OF 1	
					DRAWING NO.	C-DS1123-10-XXXX			

晨翔电子有限公司
CONNFLY CONNFLY ELECTRONIC CO. LTD