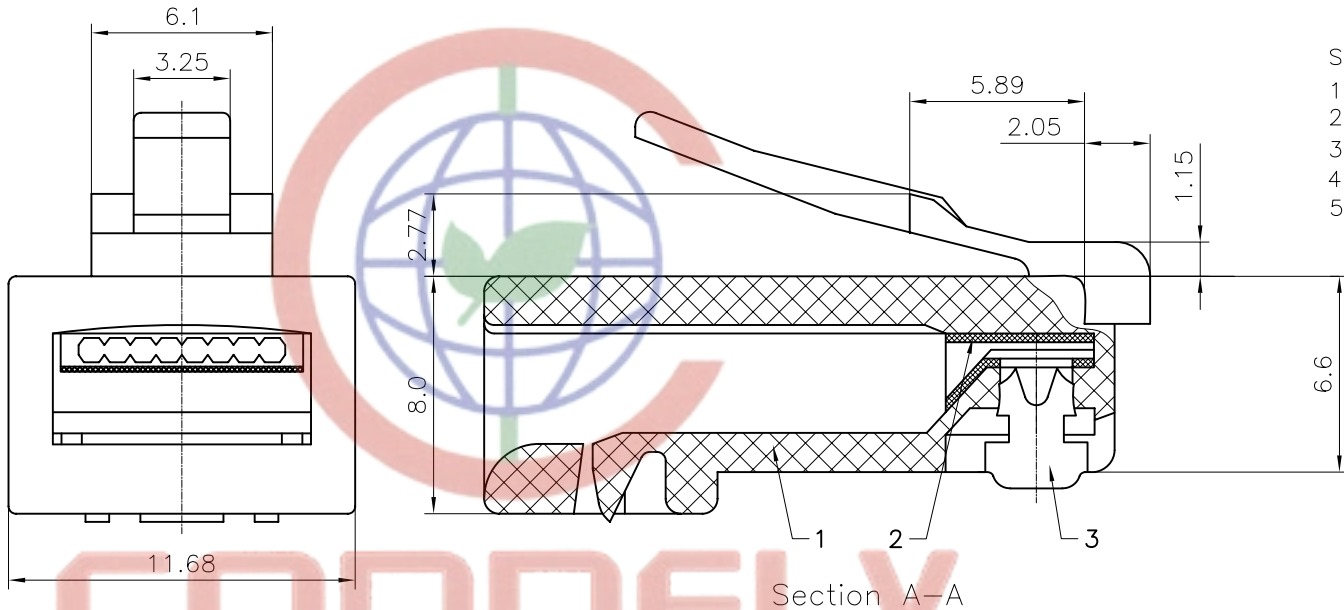


REV.	DESCRIPTION	DRAWN	CHECKED	APPROVED
A	NEW RELEASE	YCH 08/23/07'	~	



SPECIFICATION

1. Insulation Resistance:1000MΩ Min.
2. Withstand Voltage:500V AC/Minute.
3. Durability:600 Cycles Min.
4. Contact resistance:50mΩ max.
5. Product Number Code:

DS1123-08 - X X X X

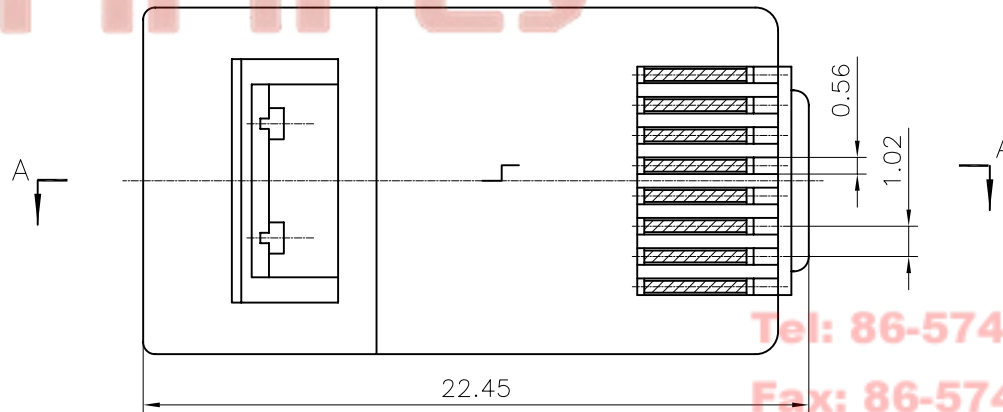
Housing Color  
T:Transparent

Contact Plating  
0:Gold Flash 15:15u''Au  
3:3u''Au 30:30u''Au  
6:6u''Au

No.Of Contacts  
8:8p8c

Connector Type  
P:Plug

Series No.  
DS1123-08



Tel: 86-574-63508787

Fax: 86-574-63510817

(3)	BLADE	8	Copper alloy	GOLD PLATING	GENERAL TOLERANCE		ANGLE TOLERANCE		PROJECTION	TITLE
(2)	COVER	1	PC	UL94 V-0 OR 94 V-2	X. ±0.60	X. ±5'	X. ±3'	X. ±2'	mm	PLUG 8P8C ROUND WITH COVER TYPE
(1)	HOUSING	1	PC	UL94 V-0 OR 94 V-2	.X ±0.38	.X ±3'	.XX ±2'		A4	SERIES DS1123-08 SERIES
No.	PART NAME	Q'TY	MATERIAL	REMARK	DRAWING TYPE		CUSTOMER		SHEET SIZE	
					SCALE		1:1 SHEET 1 OF 1		A4	
					DRAWING NO.		C-DS1123-08-XXXX			



晨翔电子有限公司

CONNFLY CONNFLY ELECTRONIC CO. LTD