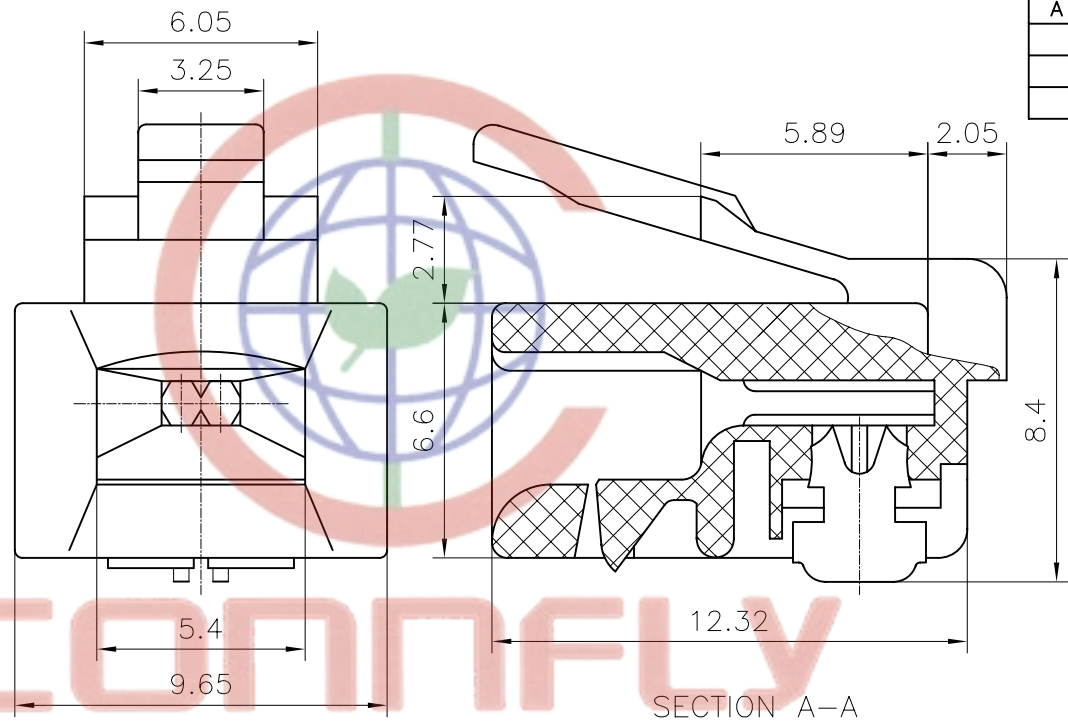


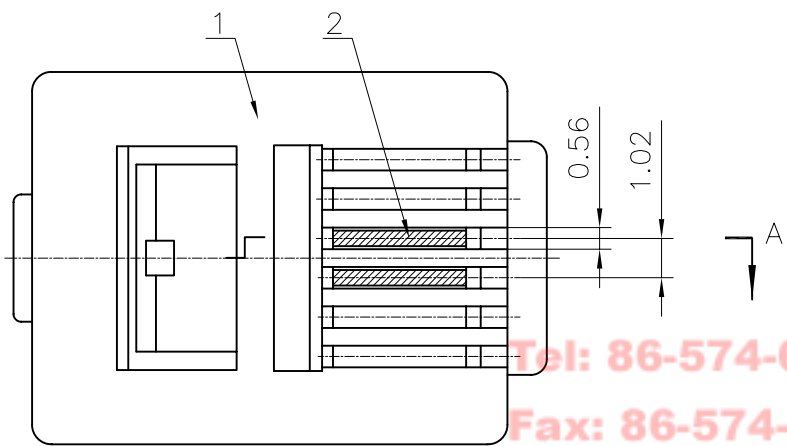
| REV. | DESCRIPTION | DRAWN | CHECKED | APPROVED |
|------|-------------|---------------|---------|----------|
| A | NEW RELEASE | YCH 08/23/07' | ~ | |
| | | | | |
| | | | | |



SPECIFICATION

- Insulation Resistance:1000MΩ Min.
- Withstand Voltage:500V AC/Minute.
- Durability:600 Cycles Min.
- Contact resistance:50mΩ max.
- Product Number Code:
DS1122-08 - X X X X

- Housing Color
T:Transparent
- Contact Plating
0:Gold Flash 15:15u''Au
3:3u''Au 30:30u''Au
6:6u''Au
- No.Of Contacts
2:6p2c
- Connector Type
P:Plug
- Series No.
DS1122-08



Tel: 86-574-63508787
Fax: 86-574-63510817

| No. | PART NAME | Q'TY | MATERIAL | REMARK |
|-----|-----------|------|--------------|--------------------|
| (2) | BLADE | 2 | Copper alloy | GOLD PLATING |
| (1) | HOUSING | 1 | PC | UL94 V-0 OR 94 V-2 |

| GENERAL TOLERANCE | | ANGLE TOLERANCE | |
|-------------------|-------|-----------------|-----|
| X. | ±0.60 | X. | ±5' |
| .X | ±0.38 | .X | ±3' |
| .XX | ±0.25 | .XX | ±2' |

| DRAWING TYPE | CUSTOMER |
|--------------|------------------|
| SCALE | 1:1 SHEET 1 OF 1 |
| DRAWING NO. | C-DS1122-08-XXXX |

| PROJECTION | TITLE |
|---------------|-------------------------|
| UNITS mm | Plug 6P2C ROUND TYPE |
| SHEET SIZE A4 | SERIES DS1122-08 SERIES |


晨翔电子有限公司
CONNFLY CONNFLY ELECTRONIC CO. LTD