

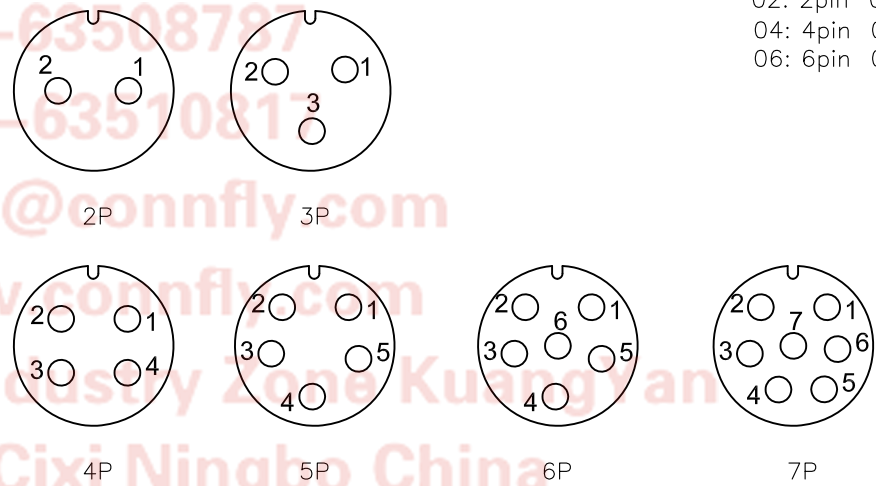
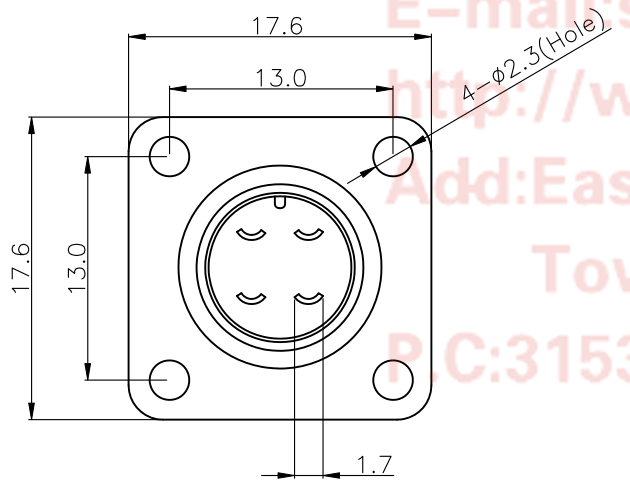
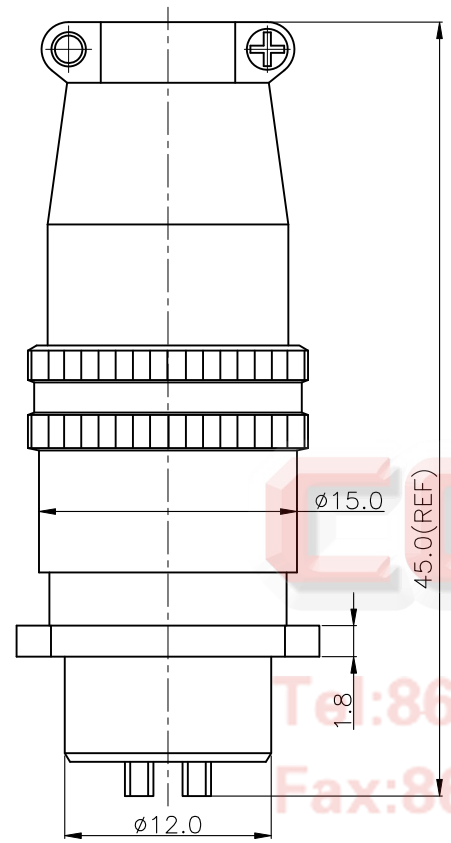
REV.	DESCRIPTION	DRAWN	CHECKED	APPROVED
A	NEW RELEASE	JLZ 05/19/17'	~	

NOTES:

- SPECIFICATION
 - CURRENT RATING: 5A Max.
 - DIELECTRIC WITH STANDING VOLTAGE: 1000V(AC)
 - CONTACT RESISTANCE: 20mΩ Max.
 - INSULATION RESISTANCE: 1000MΩ(DC)Min.
- PRODUCT NUMBER CODE:

DS1110-14 - X X X X

- SHELL SURFACE FINISHED
N: NICKEL
- CONTACT PLATING
8: FULL GOLD FLASH
- COLOR OF HOUSING:
L: BLUE
- No. OF CONTACTS
02: 2pin 03: 3pin
04: 4pin 05: 5pin
06: 6pin 07: 7pin



GENERAL TOLERANCE		ANGLE TOLERANCE		PROJECTION		TITLE	Micro Jack Total Length=45mm Ref(Pin Ø1.0)
X	±0.60	X	±5°	UNITS	mm		W/ Square Flange Receptacle Push Pull Type.
.X	±0.38	.X	±3°	SHEET SIZE	A4	SERIES	DS1110-14 SERIES
.XX	±0.25	.XX	±2°				
DRAWING TYPE		CUSTOMER		晨翔电子有限公司 CONNFLY CONNFLY ELECTRONIC CO. LTD			
SCALE		1:1	SHEET 1 OF 1				
DRAWING NO.		C-DS1110-14-XXX-A					