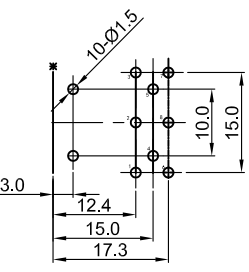
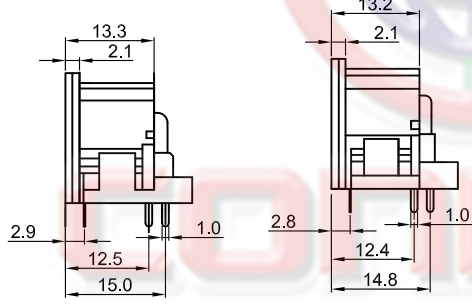
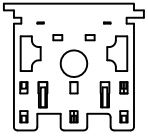
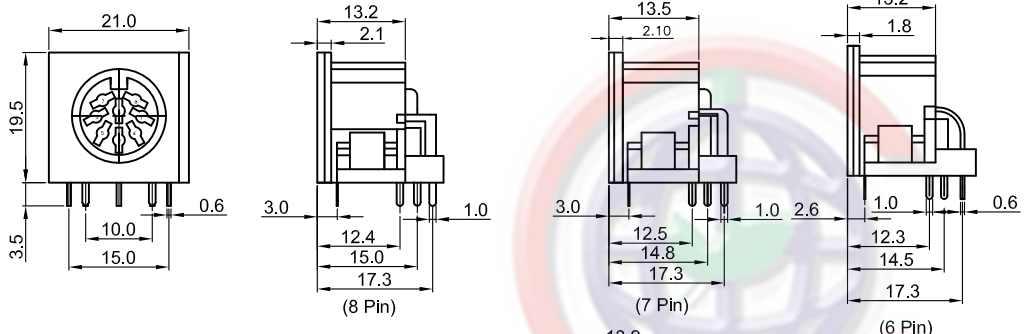
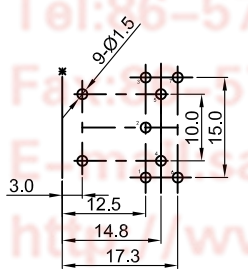


Dept
Qty
DC 1
ED 1
IE 1
ISO 1
PD 1
R&D 1
SD 1
QA 1
QC 1
QE 1

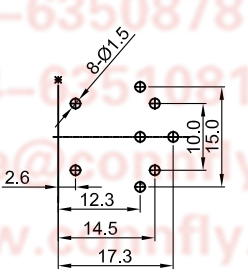
The information provided herein is from CONNELY Electronic Co., Ltd. and is confidential. Any disclosure to a party other than the recipient is prohibited. The intellectual properties and its rights contained herein, including but not limited to, trademarks, patents, copyrights, trade secrets, and technical know-how, are owned exclusively by CONNELY or its affiliates. Unauthorized use of this information in any format or manner. CONNELY may enforce its intellectual property rights at its own discretion; failures or delays to exercise such rights does not constitute a waiver of such rights.



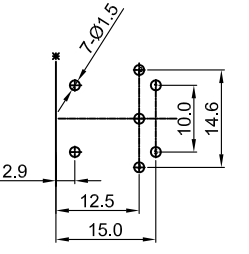
RECOMMEND PCB LAYOUT (8 Pin)



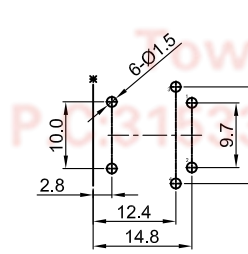
RECOMMEND PCB LAYOUT (7 Pin)



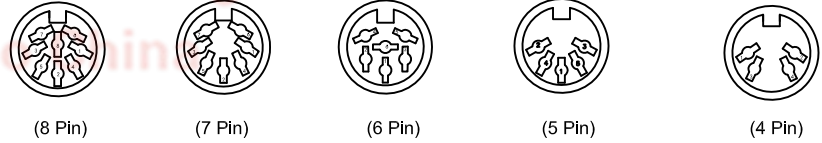
RECOMMEND PCB LAYOUT (6 Pin)



RECOMMEND PCB LAYOUT (5 Pin)



RECOMMEND PCB LAYOUT (4 Pin)



REV.	DESCRIPTION	DRAWN	CHECKED	APPROVED
A	NEW RELEASE	LJH 07/18/05'		LJH 07/18/05'
B	DRAWING UPDATE	JLZ 03/11/19'		

- NOTES:
SPECIFICATIONS:
- CONTACT RESISTANCE: 30MΩ MAX.
 - INSULATION RESISTANCE: 100MΩ MIN.
 - DIELECTRIC WITHSTANDING VOLTAGE: 500V AC(RMS) FOR 1 MINUTE.
 - CURRENT RATING:1A.
 - VOLTAGE RATING:50V.
 - TEMPERATURE: -40°C~+85°C.

- MATERIALS:
- CONTACT MATERIAL: COPPER ALLOY.
 - CONTACT PLATING: SILVER PLATING OVER NICKEL.
 - INSULATOR MATERIALS: PBT, BLACK.

PRODUCT NUMBER CODE:
DS1093-07 - X X X X X

- Shell support
- X: W/O Shell
- Contact plating
- 0: Silver
- No.of contacts:
- 4 5 6 7 8
- Shell plating
- N: Nickel
- Color of housing
- B: Black

GENERAL TOLERANCE		ANGLE TOLERANCE	
X.	±0.60	X.	±5°
.X	±0.38	.X	±3°
.XX	±0.25	.XX	±2°

PROJECTION	TITLE	MINI DIN 804 W/O SHELL TYPE	
	mm	SHEET SIZE	A4
UNITS		SERIES	DS1093-07 SERIES

DRAWING TYPE	CUSTOMER		
SCALE	1:1	SHEET	1 OF 2
DRAWING NO.	C-DS1093-07-XXXXX-B		

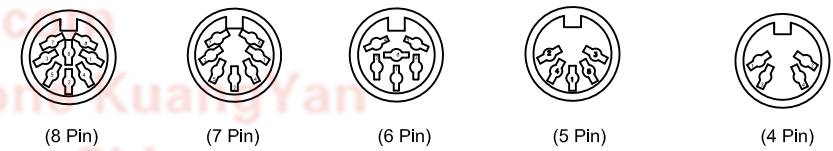
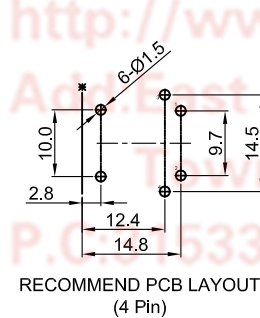
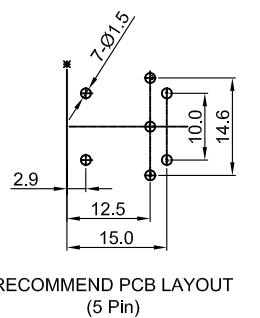
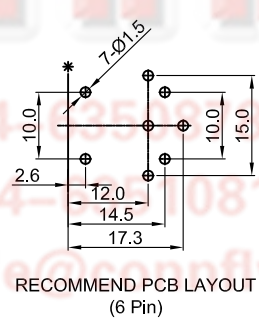
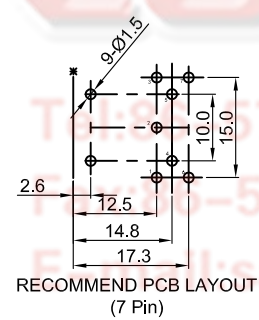
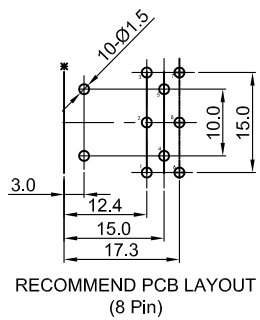
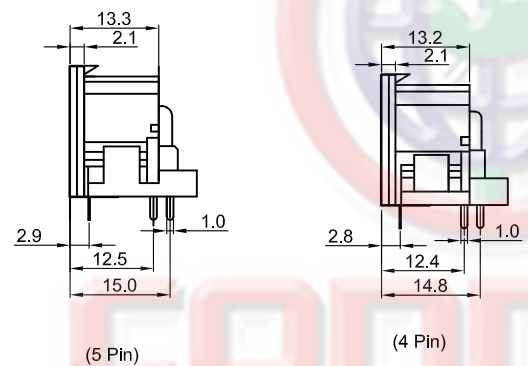
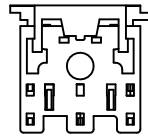
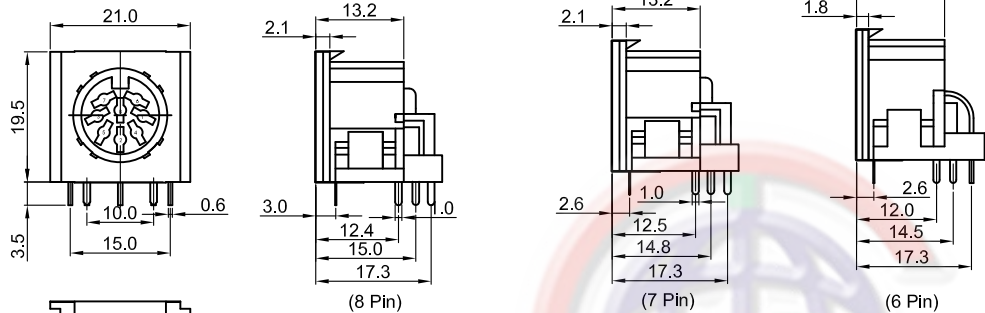
晨翔电子有限公司
CONNFLY CONNELY ELECTRONIC CO. LTD

The information provided herein is from CONNELY Electronic Co., Ltd. and is confidential. Any disclosure to a party other than the recipient is prohibited. The intellectual properties and its rights contained herein, including but not limited to, trademarks, patents, copyrights, trade secrets, and technical know-how, are owned exclusively by CONNELY or its affiliates. Unauthorized use of this information in any format or manner. CONNELY may enforce its intellectual property rights at its own discretion; failures or delays to exercise such rights does not constitute a waiver of such rights.

1 2 3 4 5 6 7 8

Dept	Qty
DC	1
ED	1
IE	1
ISO	1
PD	1
R&D	1
SD	1
QA	1
QC	1
QE	1

REV.	DESCRIPTION	DRAWN	CHECKED	APPROVED
A	NEW RELEASE	LJH 07/18/05'		LJH 07/18/05'
B	DRAWING UPDATE	JLZ 03/11/19'		



NOTES:
 SPECIFICATIONS:
 1. CONTACT RESISTANCE: 30MΩ MAX.
 2. INSULATION RESISTANCE: 100MΩ MIN.
 3. DIELECTRIC WITHSTANDING VOLTAGE: 500V AC(RMS) FOR 1 MINUTE.
 4. CURRENT RATING:1A.
 5. VOLTAGE RATING:50V.
 6. TEMPERATURE: -40°C~+85°C.
 MATERIALS:
 1. CONTACT MATERIAL: COPPER ALLOY.
 2. CONTACT PLATING: SILVER PLATING OVER NICKEL.
 3. INSULATOR MATERIALS: PBT, BLACK.
 PRODUCT NUMBER CODE:
 DS1093-07 - X X X X X

Shell support
 S: W/ Shell
 Contact plating
 0: Silver
 No. of contacts:
 4 5 6 7 8
 Shell plating
 N: Nickel
 Color of housing
 B: Black

GENERAL TOLERANCE		ANGLE TOLERANCE		PROJECTION		TITLE	MINI DIN 804 W/ SHELL TYPE	
X.	±0.60	X.	±5°	UNITS	mm	SHEET	DS1093-07 SERIES	
.X	±0.38	.X	±3°	SHEET SIZE	A4	SERIES	DS1093-07 SERIES	
.XX	±0.25	.XX	±2°	晨翔电子有限公司 CONNELY CONNELY ELECTRONIC CO. LTD				
DRAWING TYPE		CUSTOMER						
SCALE		1:1 SHEET 2 OF 2						
DRAWING NO.		C-DS1093-07-XXXXS-B						

1 2 3 4 5 6 7 8