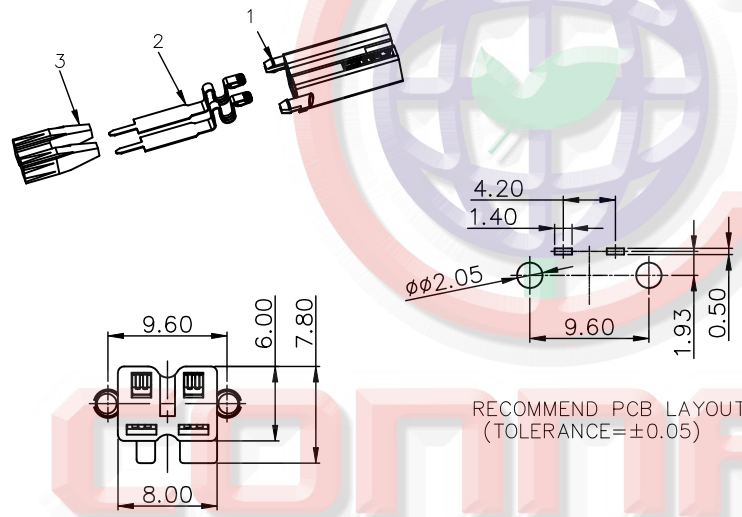


REV.	DESCRIPTION	DRAWN	CHECKED	APPROVED
A	NEW RELEASE	JLZ 12/13/17'		

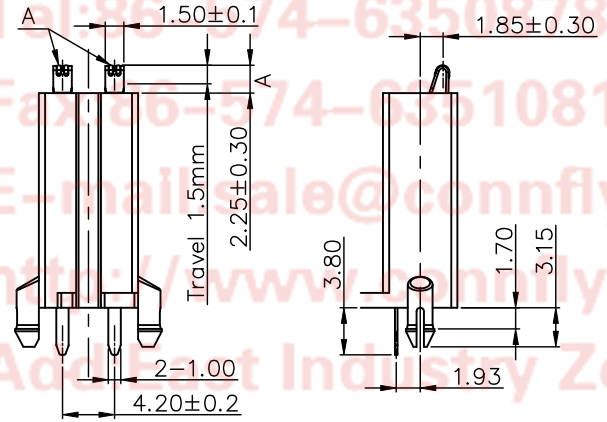
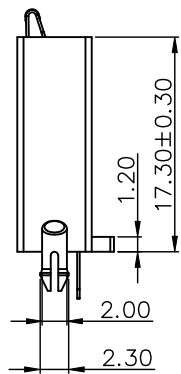
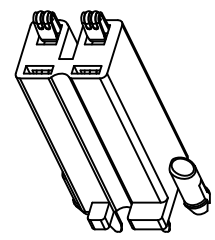


RECOMMEND PCB LAYOUT
(TOLERANCE=±0.05)

NOTES:

- ELECTRICAL CHARACTERISTICS:
 - CONTACT RESISTANCE: 260mΩ Max.
 - DIELECTRIC WITHSTANDING VOLTAGE: 500V AC(rms) FOR 1 MINUTE.
 - INSULATION RESISTANCE: 100MΩ Min.
 - CURRENT RATING: 1A.
 - VOLTAGE RATING: 30V DC.
- ENVIRONMENT CHARACTERISTICS:
 - TEMPERATURE: -25°C~+70°C.
- MATERIALS
 - CONTACT MATERIAL: COPPER ALLOY, GOLD OVER NICKEL PLATED.
 - INSULATOR MATERIALS: NYLON BLACK.
- PRODUCT NUMBER CODE:
DS1092-25-X X X X 0 X 0

- Packing Type
T: Tray
- Housing Color
B: Black
- Contact Plating
8: Gold Flash
- Mounting Type
V: V/T Type
- Connector Type
S: Socket



Tel: 86-574-63502787
 Fax: 86-574-63510817
 E-mail: sale@connfly.com
 http://www.connfly.com
 Add: Industry Zone KuangYan
 Town Cixi Ningbo China
 P.C: 315333

GENERAL TOLERANCE		ANGLE TOLERANCE		PROJECTION	TITLE	4.2mm Travel Switch V/T Type H=17.3mm	
X.	±0.60	X.	±5°		mm		
.X	±0.38	.X	±3°		A4	SERIES	DS1092-25 SERIES
.XX	±0.25	.XX	±2°				

ITEM	PART NAME	MATERIALS	FINISHED	DRAWING TYPE	CUSTOMER	SCALE	1:1	SHEET	1 OF 1
3	COVER	NYLON	BLACK UL94 V-0						
2	CONTACT	COPPER ALLOY	GOLD FLASH						
1	HOUSING	NYLON	BLACK UL94 V-0						
				DRAWING NO.	C-DS1092-25-XXXX0X0-A				

晨翔电子有限公司
CONNFLY CONNFLY ELECTRONIC CO. LTD