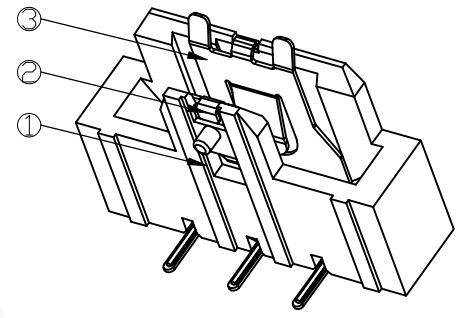
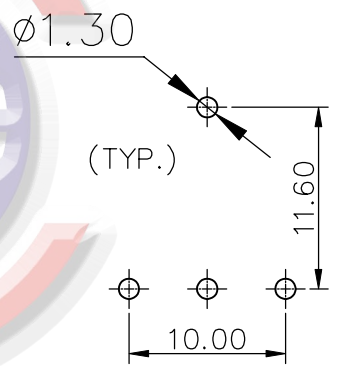
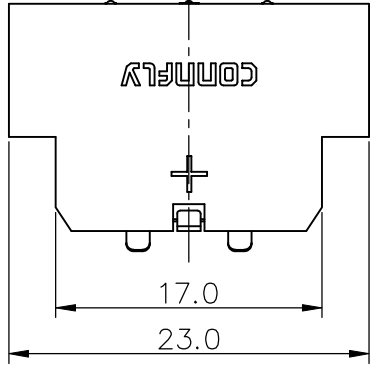
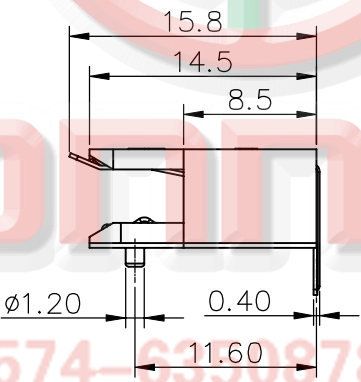
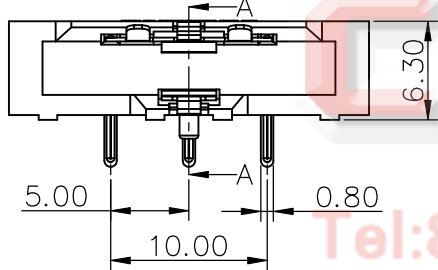


REV.	DESCRIPTION	DRAWN	CHECKED	APPROVED
A	NEW RELEASE	ZHJ 12/29/16'		



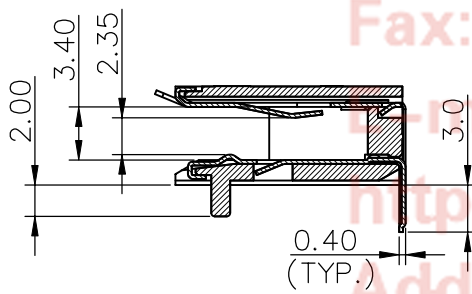
3D VIEW



RECOMMEND PCB LAYOUT
TOLERANCE: ± 0.05

- Notes:
- SPECIFICATION:
 - CONTACT RESISTANCE: 100m Ω Max.
 - INSULATION RESISTANCE: 1000M Ω Min.
 - DIELECTRIC WITHSTANDING VOLTAGE: 100V(RMS.).
 - DURABILITY: 500 CYCLES.
 - OPERATING TEMPERATURE: -20°C ~ +85°C.
 - NUMBER CODE: DS1092 - 22 - X X N

PLATING:
6: FULL Tin
Housing:
B: Black



SECTION A-A

GENERAL TOLERANCE	ANGLE TOLERANCE	PROJECTION	TITLE
X. ± 0.50	X. $\pm 10^\circ$		2032 LITHIUM COIN CELL BATTERY
.X ± 0.38	.X $\pm 5^\circ$	UNITS mm	HOLDERS DIP TYPE
.XX ± 0.25	.XX $\pm 2.5^\circ$	SHEET SIZE A4	SERIES DS1092-22 SERIES

③	Positive terminal	BRASS, T=0.25mm	Full Tin
②	Negative terminal	BRASS, T=0.25mm	Full Tin
①	Housing	PA66, UL 94-V0	Black
No.	NAME	MATERIAL	PLTING

DRAWING TYPE	CUSTOMER		
SCALE	1:1	SHEET	1 OF 1
DRAWING NO.	C-DS1092-22-XXX-A		

晨翔电子有限公司
CONNFLY CONNFLY ELECTRONIC CO. LTD

Tel:86-574-63508787
Fax:86-574-63510817

Email:sale@connfly.com
http://www.connfly.com

Add:East Industry Zone
Town Cixilingo China