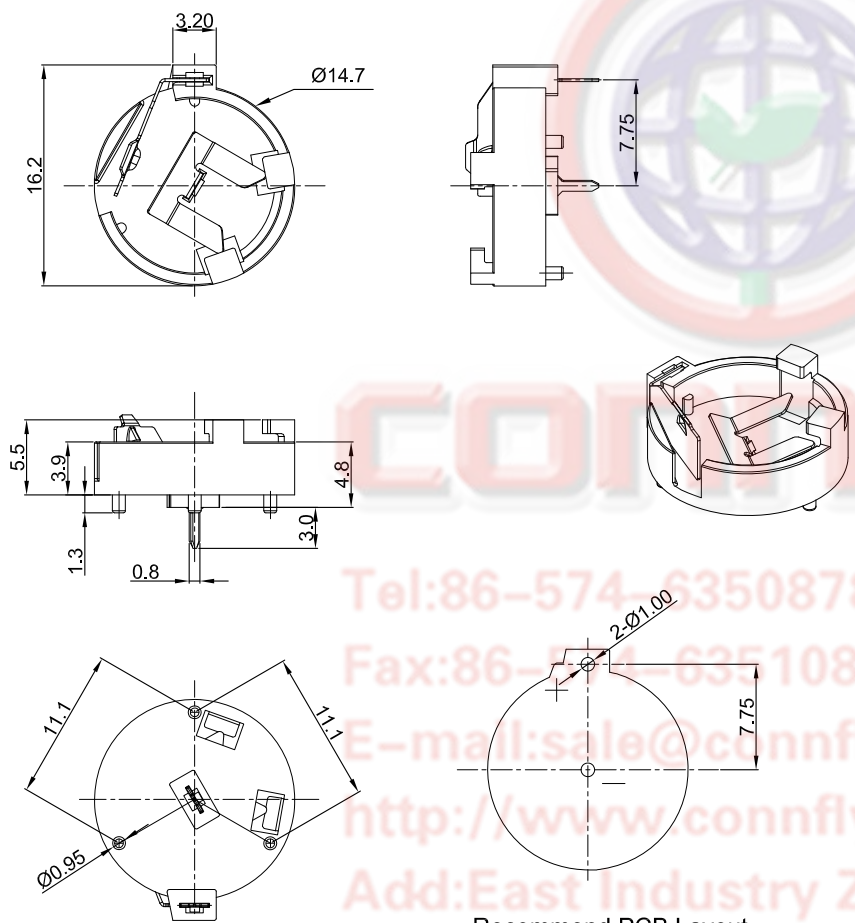


The information provided herein is from CONNELY Electronic Co., Ltd. and is confidential. Any disclosure to a party other than the recipient is prohibited. The intellectual properties and its rights contained herein, including but not limited to, trademarks, patents, copyrights, trade secrets, and technical know-how, are owned exclusively by CONNELY or its affiliates. Unauthorized use of this information in any format or manner. CONNELY may enforce its intellectual property rights at its own discretion; failures or delays to exercise such rights does not constitute a waiver of such rights.

1 2 3 4 5 6 7 8

REV.	DESCRIPTION	DRAWN	CHECKED	APPROVED
A	NEW RELEASE	YCH 08/07/12'		LJC 08/07/12'
B	DRAWING UPDATE	JLZ 06/10/17'	HZW 06/10/17'	LJC 06/10/17'
C	DRAWING UPDATE	JLZ 06/04/19'		



**NOTE:**

- Materials:**
  - 1.1 Base: Thermoplastic, UL94 V-0, Color of black. Temp. Range: -25°C to +85°C.
  - 1.2 Positive & Negative Contacts: Copper Alloy.
- Specification:**
  - 2.1 Dielectric Withstanding Voltage: AC 500V AC.
  - 2.2 Insulation Resistance: 1000MΩ min.
  - 2.3 Contact Resistance: 100mΩ Max.
- Part Number Code:**  
 DS1092-15 - X X X
  - X: Housing material: P: PBT
  - X: Contact plating: 6: Tin
  - X: Housing color: B: Black

Tel: 86-574-63508787  
 Fax: 86-574-63510817  
 E-mail: sale@connfly.com  
 http://www.connfly.com  
 Add: East Industry Zone KuangYan  
 Town Cixi Ningbo China  
 P.C: 315333

Recommend PCB Layout  
Tolerance=±0.05

GENERAL TOLERANCE		ANGLE TOLERANCE		PROJECTION		TITLE	1220 Lithium Coin Cell	
X.	±0.60	X.	±5°	UNITS	mm	Battery Holders Horizontal insert type		
.X	±0.38	.X	±3°	SHEET SIZE	A4	SERIES	DS1092-15 SERIES	
.XX	±0.25	.XX	±2°	<b>晨翔电子有限公司</b> <b>CONNFLY CONNELY ELECTRONIC CO. LTD</b>				
DRAWING TYPE		CUSTOMER						
SCALE	1:1	SHEET	1 OF 1					
DRAWING NO.		C-DS1092-15-XXX-C						

1 2 3 4 5 6 7 8