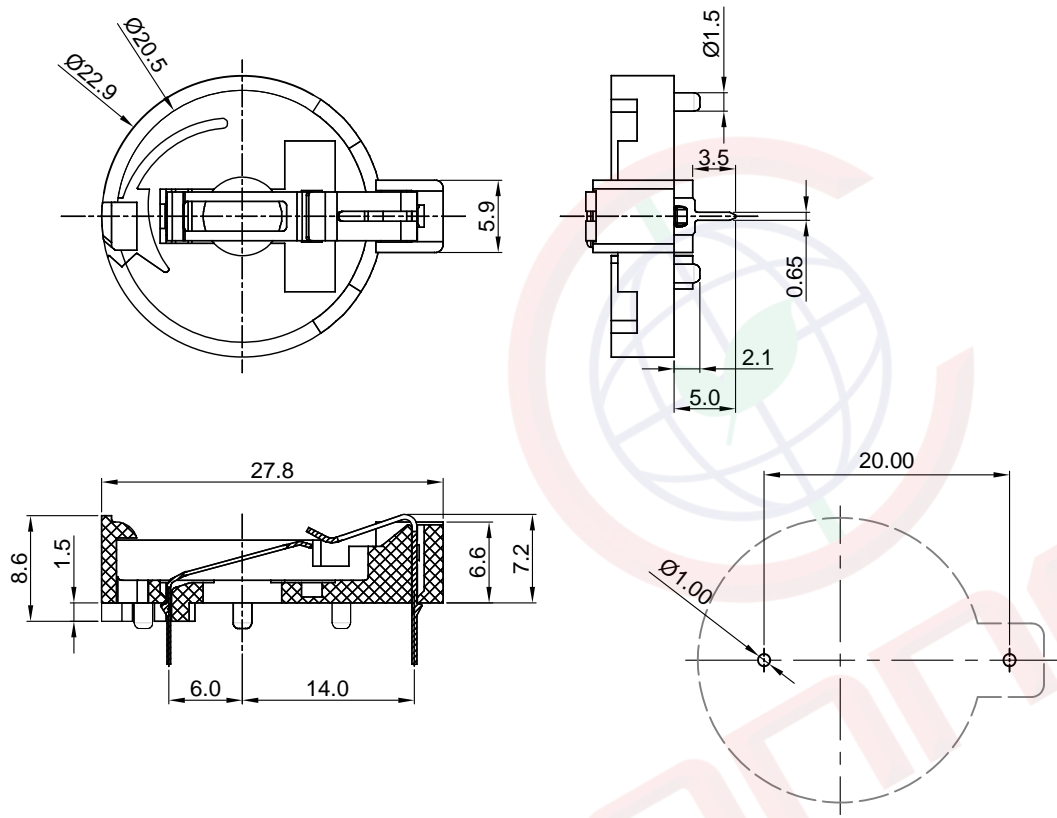


| Dept | Qty |
|------|-----|
| DC   | 1   |
| ED   | 1   |
| IE   | 1   |
| ISO  | 1   |
| PD   | 1   |
| R&D  | 1   |
| SD   | 1   |
| QA   | 1   |
| QC   | 1   |
| QE   | 1   |

The information provided herein is from CONNELY Electronic Co., Ltd. and is confidential. Any disclosure to a party other than the recipient is prohibited. The intellectual properties and its rights contained herein, including but not limited to, trademarks, patents, copyrights, trade secrets, and technical know-how, are owned exclusively by CONNELY or its affiliates. Unauthorized use or reproduction of any part of this document is strictly prohibited. CONNELY may enforce its intellectual property rights at its own discretion, failures or delays to exercise such rights does not constitute a waiver of such rights.

| REV. | DESCRIPTION    | DRAWN         | CHECKED | APPROVED      |
|------|----------------|---------------|---------|---------------|
| A    | NEW RELEASE    | YCH 08/07/12' |         | LJC 08/07/12' |
| D    | DRAWING UPDATE | JLZ 03/31/21' |         |               |
|      |                |               |         |               |



**NOTE:**

- Materials:
  - 1.1 Base: Thermoplastic, UL94 V-0, Color of black.  
Temp. Range: -25°C to +85°C.
  - 1.2 Positive & Negative Contacts: Copper Alloy.
- Specification:
  - 2.1 Dielectric Withstanding Voltage: AC 500V AC.
  - 2.2 Insulation Resistance: 1000MΩ min.
  - 2.3 Contact Resistance: 100mΩ Max.
- Part Number Code:
 

DS1092-05 - X X X


- Housing material:  
P: PBT
- Contact plating:  
6: Tin
- Housing color:  
B: Black



(Series Image-Reference Only)

| GENERAL TOLERANCE |                   | ANGLE TOLERANCE |        |
|-------------------|-------------------|-----------------|--------|
| X.                | ±0.60             | X.              | ±5°    |
| .X                | ±0.38             | .X              | ±3°    |
| .XX               | ±0.25             | .XX             | ±2°    |
| DRAWING TYPE      |                   | CUSTOMER        |        |
| SCALE             | 1:1               | SHEET           | 1 OF 1 |
| DRAWING NO.       | C-DS1092-05-XXX-D |                 |        |

| PROJECTION | TITLE | 2032 Lithium Coin Cell<br>Battery Holders Horizontal insert type |
|------------|-------|--|
| UNITS      | mm    |  |
| SHEET SIZE | A4    | SERIES DS1092-05 SERIES  |

 **晨翔电子有限公司**  
CONNFLY CONNELY ELECTRONIC CO. LTD