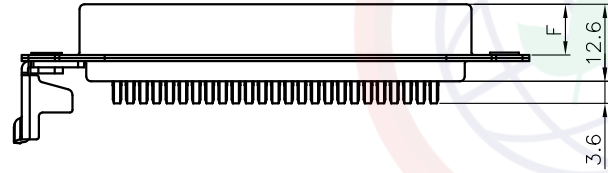
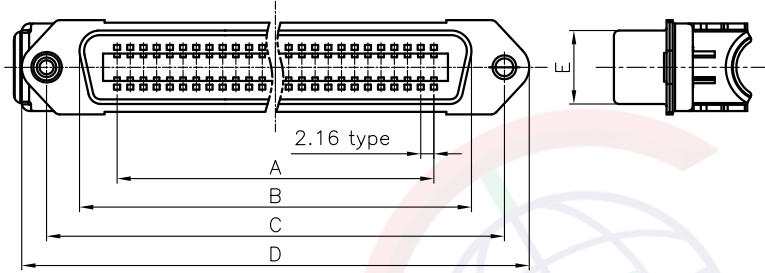
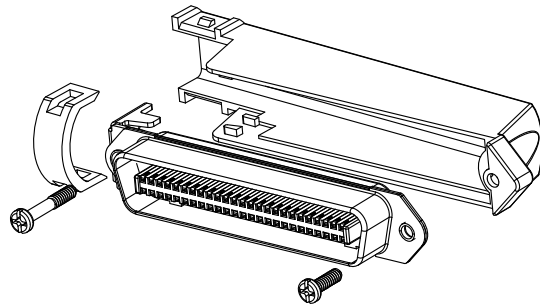
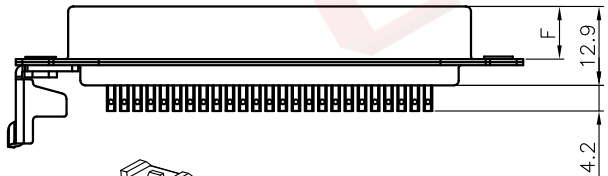
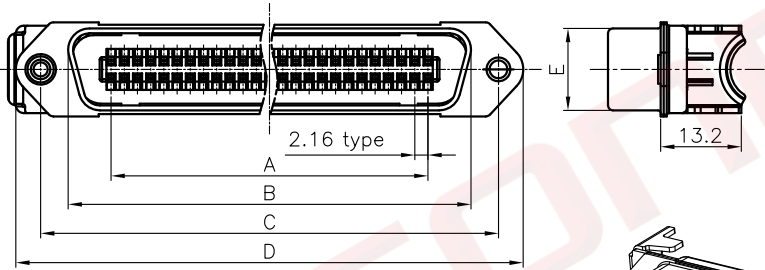


Dept  
 Qty  
 DC 1  
 ED 1  
 IE 1  
 ISO 1  
 PD 1  
 R&D 1  
 SD 1  
 QA 1  
 QC 1  
 QE 1  
 The information provided herein is from CONNELY Electronic Co., Ltd. and is confidential. Any disclosure to a party other than the recipient is prohibited. The intellectual properties and its rights contained herein, including but not limited to, trademarks, patents, copyrights, trade secrets, and technical know-how, are owned exclusively by CONNELY or its affiliates. Unauthorized use or modification is strictly prohibited. CONNELY may enforce its intellectual property rights at its own discretion; failures or delays to exercise such rights does not constitute a waiver of such rights.

Female



Male



REV.	DESCRIPTION	DRAWN	CHECKED	APPROVED
A	NEW RELEASE	LJC 08/17/07'		LJC 08/17/07'
B	DRAWING UPDATE	JLZ 10/26/18'		

NOTES:

- MATERIALS:
  - Housing: Thermoplastic(UL 94 V-0).
  - Hood: ABS.
  - Washer: ABS.
  - Shell: Steel.
  - Contact: Copper alloy.
  - Screw: Steel.
- SPECIFICATION:
  - Current Rating: 3A
  - Dielectric withstanding voltage: 500V For 1 minute
  - Insulator Resistance: 1000MΩ min
  - Temperature Range: -40°C ~ +105°C
- PRODUCT NUMBER CODE:  
 DS1078-01 - X X X X X
  - Hood support
  - X: W/O Hood,SR & SCREWS
  - S: W/ Hood,SR & SCREWS
  - Color of housing
  - L:Blue
  - B:Black
  - CONTACT PLATED
  - O: Selective gold flash
  - Connector type
  - M: Male
  - F: Female
  - No. of contacts
  - 36: 36pin
  - 50: 50pin

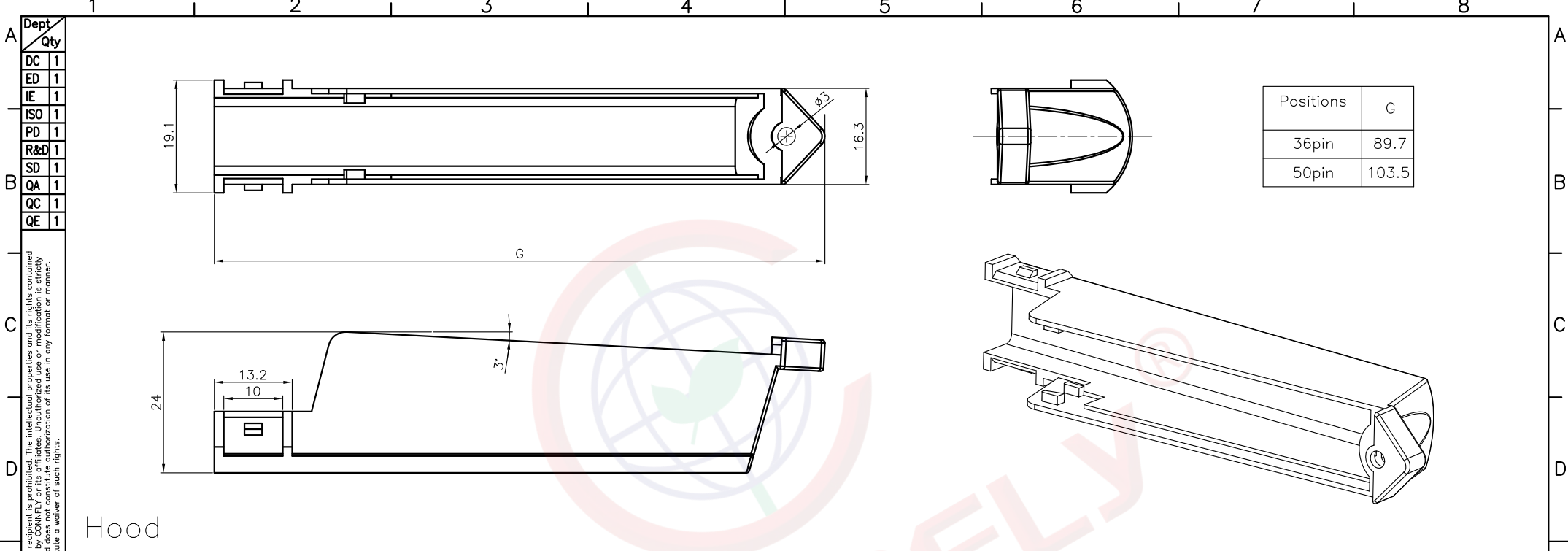
Positions	A	B		C	D	E		F	
		Male	Female			Male	Female	Male	Female
36pin	36.72	50.3	49.0	59.7	67.7	13.3	11.7	8.6	8.3
50pin	51.84	65.9	64.0	74.9	82.8	13.3	11.7	8.6	8.3

GENERAL TOLERANCE		ANGLE TOLERANCE	
X.	±0.60	X.	±5°
.X	±0.38	.X	±3°
.XX	±0.25	.XX	±2°

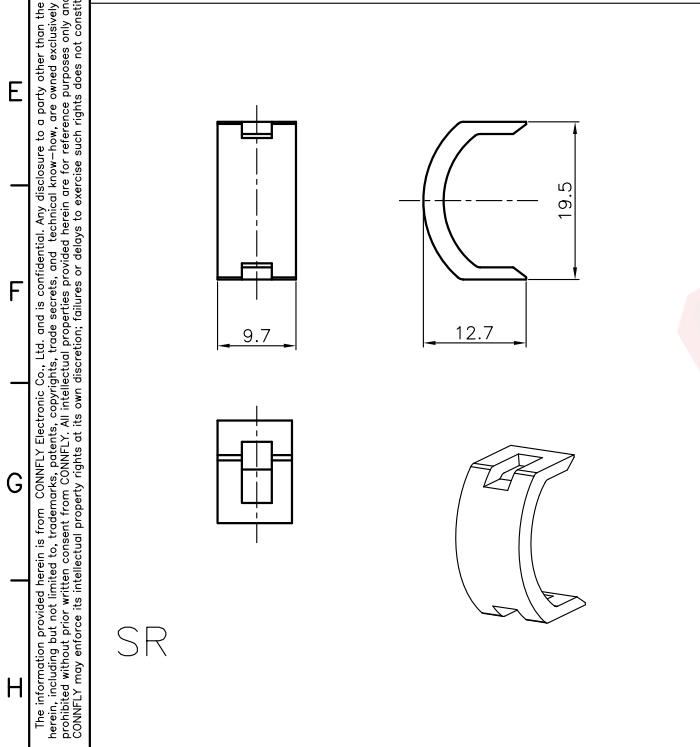
DRAWING TYPE	CUSTOMER		
SCALE	1:1	SHEET	1 OF 2
DRAWING NO.	C-DS1078-01-XXXXX-B		

PROJECTION	TITLE	CENTRONIC CONNECTORS SOLDER WITH HOOD & SCREWS TYPE	
UNITS	mm	SERIES	DS1078-01 SERIES

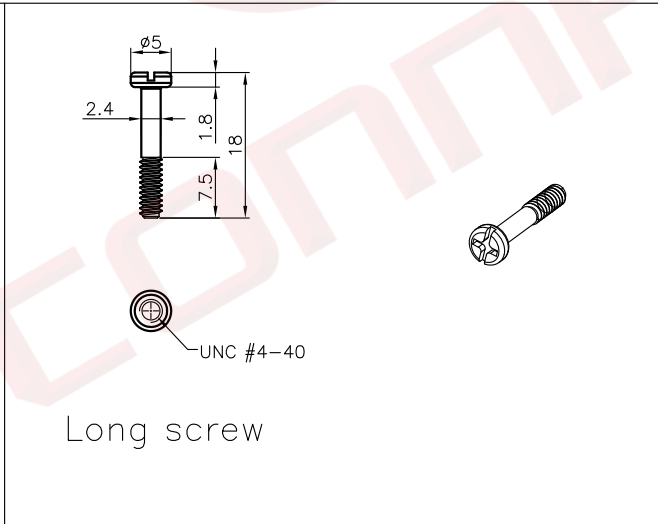
**晨翔电子有限公司**  
**CONNELY CONNELY ELECTRONIC CO. LTD**



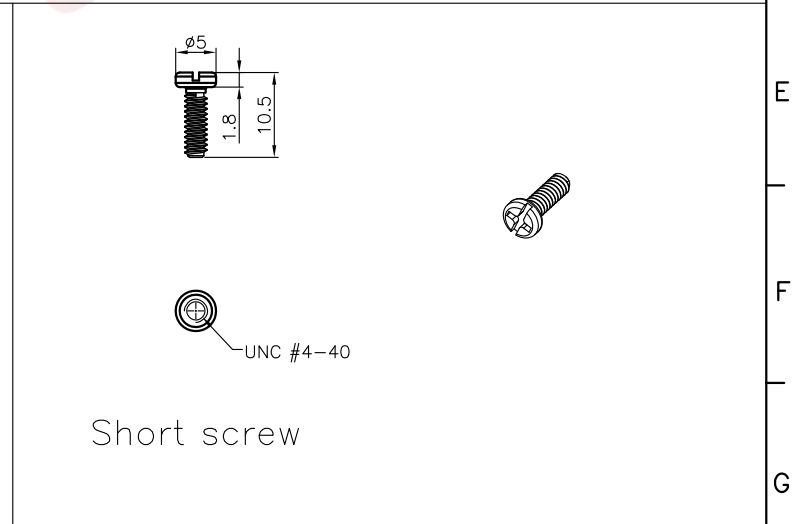
Hood



SR



Long screw



Short screw

GENERAL TOLERANCE		ANGLE TOLERANCE	
X.	±0.60	X.	±5°
.X	±0.38	.X	±3°
.XX	±0.25	.XX	±2°
DRAWING TYPE	CUSTOMER		
SCALE	1:1	SHEET	1 OF 2
DRAWING NO.	C-DS1078-01-XXXXX-B		

PROJECTION	TITLE	CENTRONIC CONNECTORS SOLDER WITH HOOD & SCREWS TYPE	
		SHEET SIZE	A4
UNITS	mm	SERIES	DS1078-01 SERIES
晨翔电子有限公司 <b>CONNFLY CONNFLY ELECTRONIC CO. LTD</b>			

The information provided herein is from CONNFLY Electronic Co., Ltd. and is confidential. Any disclosure to a party other than the recipient is prohibited. The intellectual properties and its rights contained herein, including but not limited to, trademarks, patents, copyrights, trade secrets, and technical know-how, are owned exclusively by CONNFLY or its affiliates. Unauthorized use or modification is strictly prohibited. CONNFLY may enforce its intellectual property rights at its own discretion; failures or delays to exercise such rights does not constitute a waiver of such rights.