

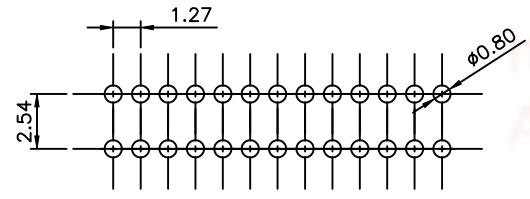
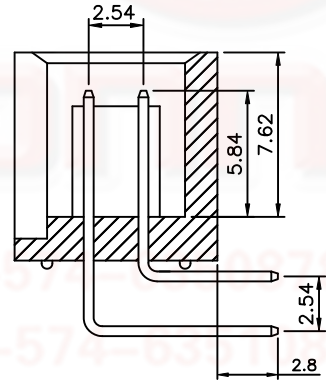
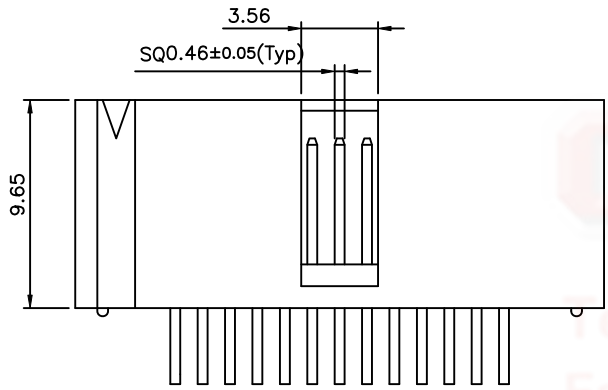
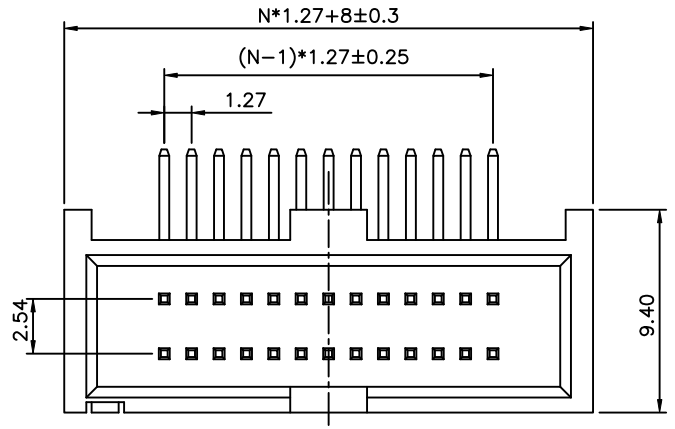
REV.	DESCRIPTION	DRAWN	CHECKED	APPROVED
A	NEW RELEASE	JLZ 08/31/17'		

NOTES:

- MATERIAL
 - INSULATOR:THERMOPLASTIC(UL 94V-0).
 - CONTACT MATERIAL:COPPER ALLOY.
- SPECIFICATION
 - CURRENT RATING:1.0 Amp.
 - INSULATION RESISTANCE:1000MΩ Min.
 - DIELECTRIC WITHSTANDING:300VAC.
 - CONTACT RESISTANCE:20mΩ Max.
 - OPERATING TEMPERATURE:-40°C TO+105°C.
- PRODUCT NUMBER CODE:

DS1064-10 - X X X X X - 3A

- PLATING LEVEL
3A: 3A GRADE
- PACKING TYPE
B: TUBE
T: TRAY
- HOUSING COLOR
B:BLACK
- CONTACT PLATING
8: FULL GOLD
- MOUNTING TYPE
R: R/A TYPE
- No.OF CONTACTS
06~40



RECOMMEND PCB LAYOUT
TOLERANCE=±0.05mm

GENERAL TOLERANCE		ANGLE TOLERANCE	
X.	±0.60	X.	±5°
.X	±0.38	.X	±3°
.XX	±0.25	.XX	±2°

PROJECTION		TITLE	1.27*2.54mm Box Header
UNITS	mm		R/A Type H=9.65mm
SHEET SIZE	A4	SERIES	DS1064-10 SERIES

DRAWING TYPE	CUSTOMER		
SCALE	1:1	SHEET	1 OF 1
DRAWING NO.	C-DS1064-10-XXXXXX-X-A		

晨翔电子有限公司
CONNFLY® CONNFLY ELECTRONIC CO., LTD