

REV.	DESCRIPTION	DRAWN	CHECKED	APPROVED
A	NEW RELEASE	YCH 04/13/11'	~	LJC 04/13/11'
B	DRAWING UPDATE	JLZ 05/12/16'	HZW 05/12/16'	LJC 05/12/16'

ØF
Ø4.0
Ø5.0
Ø7.0
Ø9.0

NOTES:

1. PART NUMBER CODE:

DS1047-06 - 09 X X - X

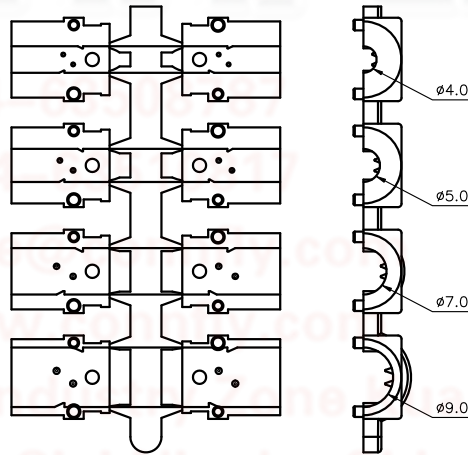
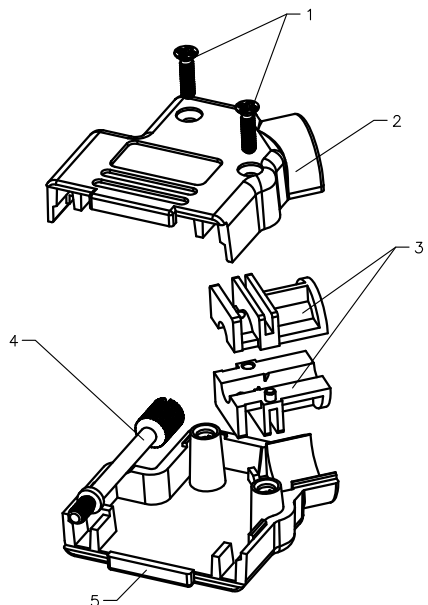
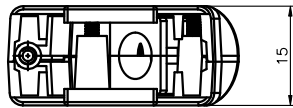
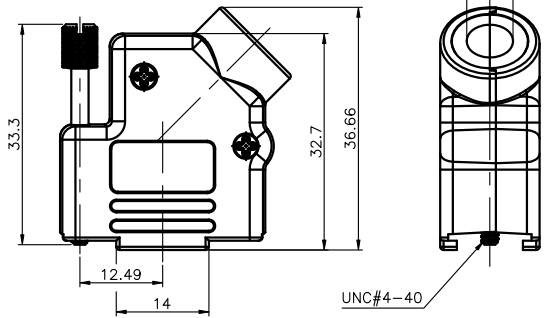
LOGO Support
 X: W/O LOGO
 N/A: CONNFLY LOGO

Packing type
 1: Mix packing

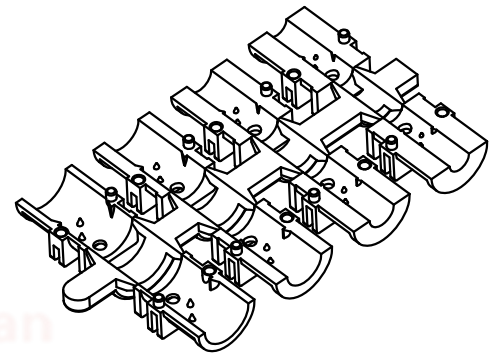
Cover Material
 M: Metal(Znic alloy)

Positions
 09: 9pin

BOM LIST			
ITEM	PART NAME	Q'ty	NOTES
1	SCREW	2	M2
2	UP METAL HOOD	1	Znic alloy
3	SR	2	
4	LONG BOLT	1	UNC 4-40
5	DOWN METAL HOOD	1	Znic alloy




OUT DIAMETER OF SR



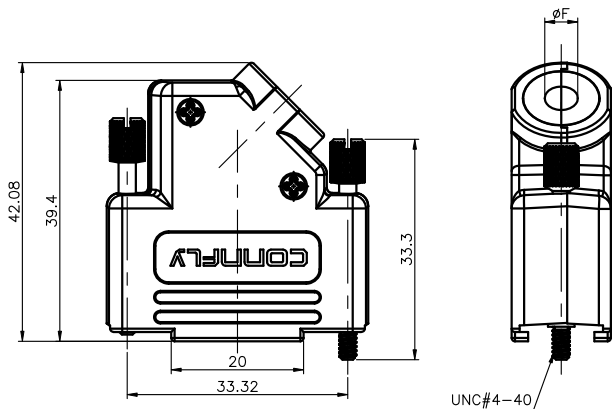
GENERAL TOLERANCE		ANGLE TOLERANCE	
X.	±0.60	X.	±5°
.X	±0.38	.X	±3°
.XX	±0.25	.XX	±2°

PROJECTION	TITLE	D-SUB 09pin Metal Hoods W/ SR Large Angled(45°) Cable Outlet	
UNITS	mm		
SHEET SIZE	A4	SERIES	DS1047-06 SERIES

DRAWING TYPE	COSTOMER		
SCALE	1:1	SHEET	1 OF 1
DRAWING NO.	C-DS1047-06-09XX-X-B		

 晨翔电子有限公司
CONNFLY® CONNFLY ELECTRONIC CO., LTD

REV.	DESCRIPTION	DRAWN	CHECKED	APPROVED
A	NEW RELEASE	YCH 04/13/11'	~	LJC 04/13/11'
B	DRAWING UPDATE	JLZ 05/12/16'	HZW 05/12/16'	LJC 05/12/16'



ϕF
$\phi 4.0$
$\phi 5.0$
$\phi 7.0$
$\phi 9.0$

NOTES:

1. PART NUMBER CODE:

DS1047-06 - 15 X X - X

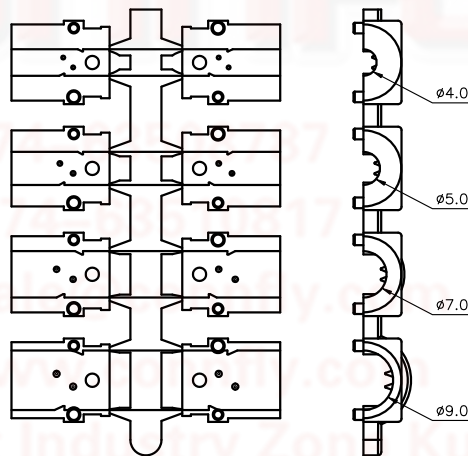
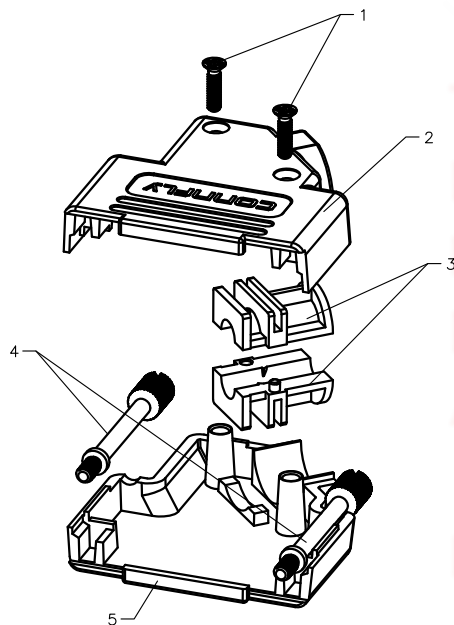
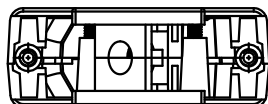
LOGO Support
X: W/O LOGO
N/A: CONNFLY LOGO

Packing type
1: Mix packing

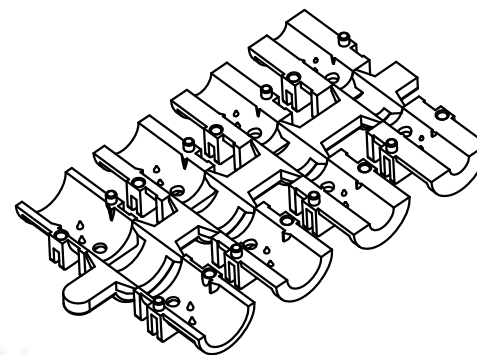
Cover Material
M: Metal(Znic alloy)

Positions
15: 15pin

BOM LIST			
ITEM	PART NAME	Q'ty	NOTES
1	SCREW	2	M2
2	UP METAL HOOD	1	Znic alloy
3	SR	2	
4	LONG BOLT	2	UNC 4-40
5	DOWN METAL HOOD	1	Znic alloy




OUT DIAMETER OF SR



GENERAL TOLERANCE		ANGLE TOLERANCE	
X.	± 0.60	X.	$\pm 5^\circ$
.X	± 0.38	.X	$\pm 3^\circ$
.XX	± 0.25	.XX	$\pm 2^\circ$

PROJECTION	TITLE	D-SUB 15pin Metal Hoods W/ SR Large Angled(45°) Cable Outlet	
UNITS	mm		
SHEET SIZE	A4	SERIES	DS1047-06 SERIES

DRAWING TYPE	COSTOMER		
SCALE	1:1	SHEET	1 OF 1
DRAWING NO.	C-DS1047-06-15XX-X-B		

 晨翔电子有限公司
CONNFLY® CONNFLY ELECTRONIC CO., LTD

REV.	DESCRIPTION	DRAWN	CHECKED	APPROVED
A	NEW RELEASE	YCH 04/13/11'	~	LJC 04/13/11'
B	DRAWING UPDATE	JLZ 05/12/16'	HZW 05/12/16'	LJC 05/12/16'

ØF
Ø4.0
Ø5.0
Ø7.0
Ø9.0

NOTES:

1. PART NUMBER CODE:

DS1047-06 - 25 X X - X

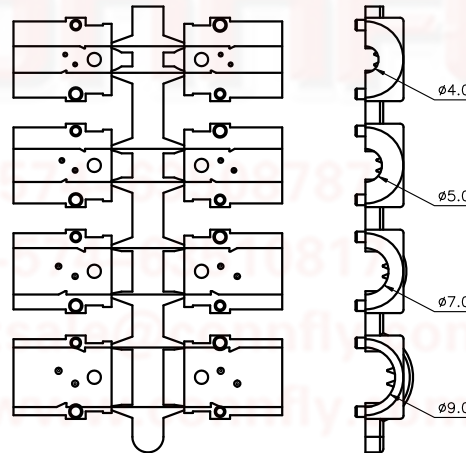
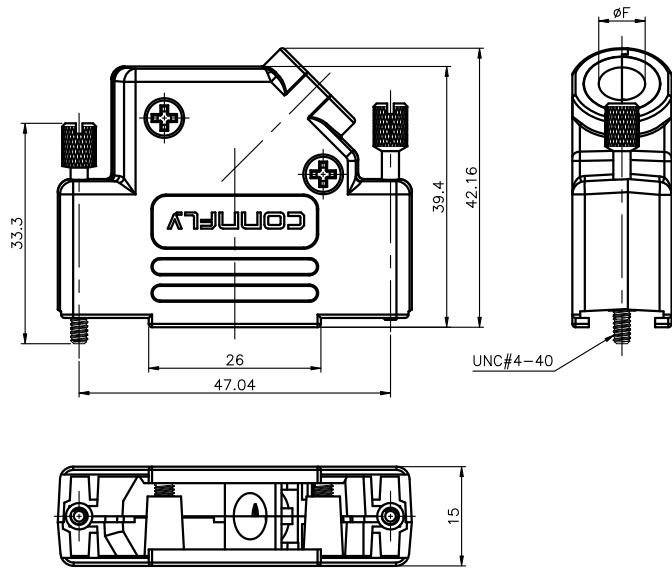
LOGO Support
X: W/O LOGO
N/A: CONNFLY LOGO

Packing type
1: Mix packing

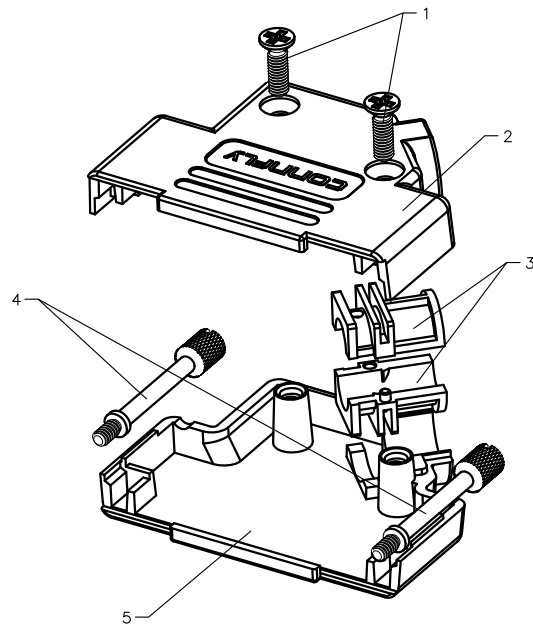
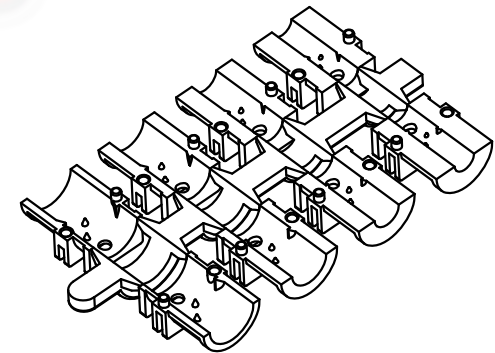
Cover Material
M: Metal(Znic alloy)

Positions
25: 25pin

BOM LIST			
ITEM	PART NAME	Q'ty	NOTES
1	SCREW	2	M3
2	UP METAL HOOD	1	Znic alloy
3	SR	2	
4	LONG BOLT	2	UNC 4-40
5	DOWN METAL HOOD	1	Znic alloy




OUT DIAMETER OF SR



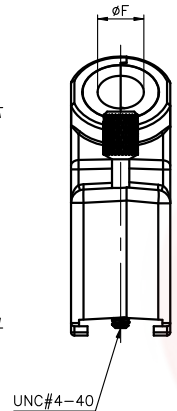
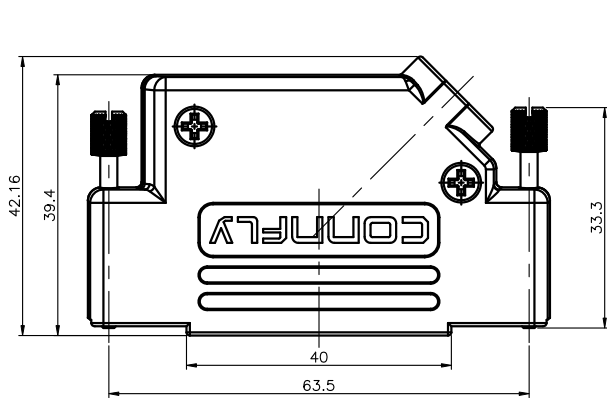
GENERAL TOLERANCE		ANGLE TOLERANCE	
X.	±0.60	X.	±5°
.X	±0.38	.X	±3°
.XX	±0.25	.XX	±2°

PROJECTION	TITLE	D-SUB 25pin Metal Hoods W/ SR Large Angled(45°) Cable Outlet	
UNITS	mm		
SHEET SIZE	A4	SERIES	DS1047-06 SERIES

DRAWING TYPE	CUSTOMER		
SCALE	1:1	SHEET	1 OF 1
DRAWING NO.	C-DS1047-06-25XX-X-B		

 晨翔电子有限公司
CONNFLY® CONNFLY ELECTRONIC CO., LTD

REV.	DESCRIPTION	DRAWN	CHECKED	APPROVED
A	NEW RELEASE	YCH 04/13/11'	~	LJC 04/13/11'
B	DRAWING UPDATE	JLZ 05/12/16'	HZW 05/12/16'	LJC 05/12/16'



ϕF
$\phi 4.0$
$\phi 5.0$
$\phi 7.0$
$\phi 9.0$

BOM LIST			
ITEM	PART NAME	Q'ty	NOTES
1	SCREW	2	M3
2	UP METAL HOOD	1	Znic alloy
3	SR	2	
4	LONG BOLT	2	UNC 4-40
5	DOWN METAL HOOD	1	Znic alloy

NOTES:

1. PART NUMBER CODE:

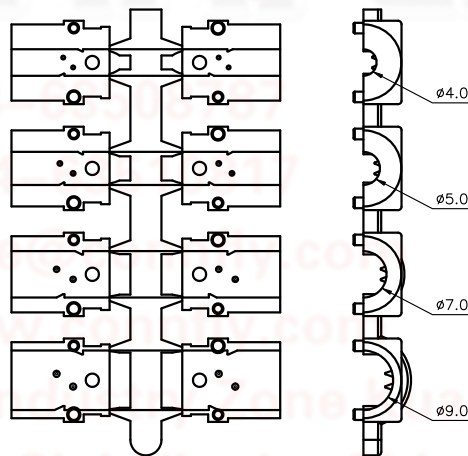
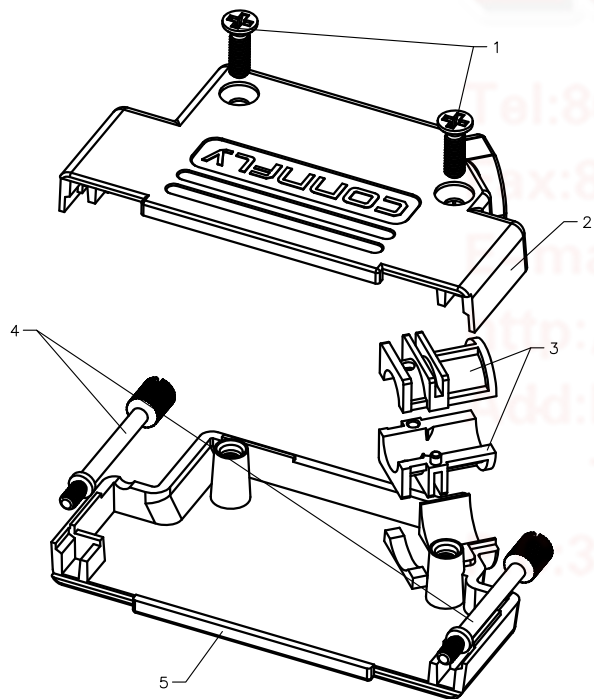
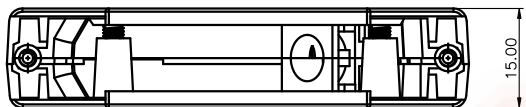
DS1047-06 - 37 X X - X

LOGO Support
X: W/O LOGO
N/A: CONNFLY LOGO

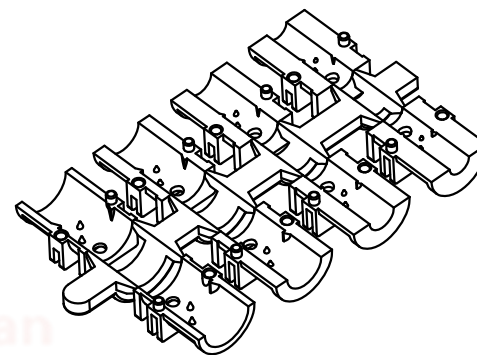
Packing type
1: Mix packing

Cover Material
M: Metal(Znic alloy)

Positions
37: 37pin




OUT DIAMETER OF SR



GENERAL TOLERANCE		ANGLE TOLERANCE	
X.	± 0.60	X.	$\pm 5^\circ$
.X	± 0.38	.X	$\pm 3^\circ$
.XX	± 0.25	.XX	$\pm 2^\circ$

PROJECTION	TITLE	D-SUB 37pin Metal Hoods W/ SR Large Angled(45°) Cable Outlet	
UNITS	mm		
SHEET SIZE	A4	SERIES	DS1047-06 SERIES

DRAWING TYPE	CUSTOMER		
SCALE	1:1	SHEET	1 OF 1
DRAWING NO.	C-DS1047-06-37XX-X-B		

 晨翔电子有限公司
CONNFLY® CONNFLY ELECTRONIC CO., LTD