

REV.	DESCRIPTION	DRAWN	CHECKED	APPROVED
A	NEW RELEASE	YCH 03/31/11'	~	LJC 03/31/11'
B	ADD P/N CODE	YCH 12/07/13'	~	

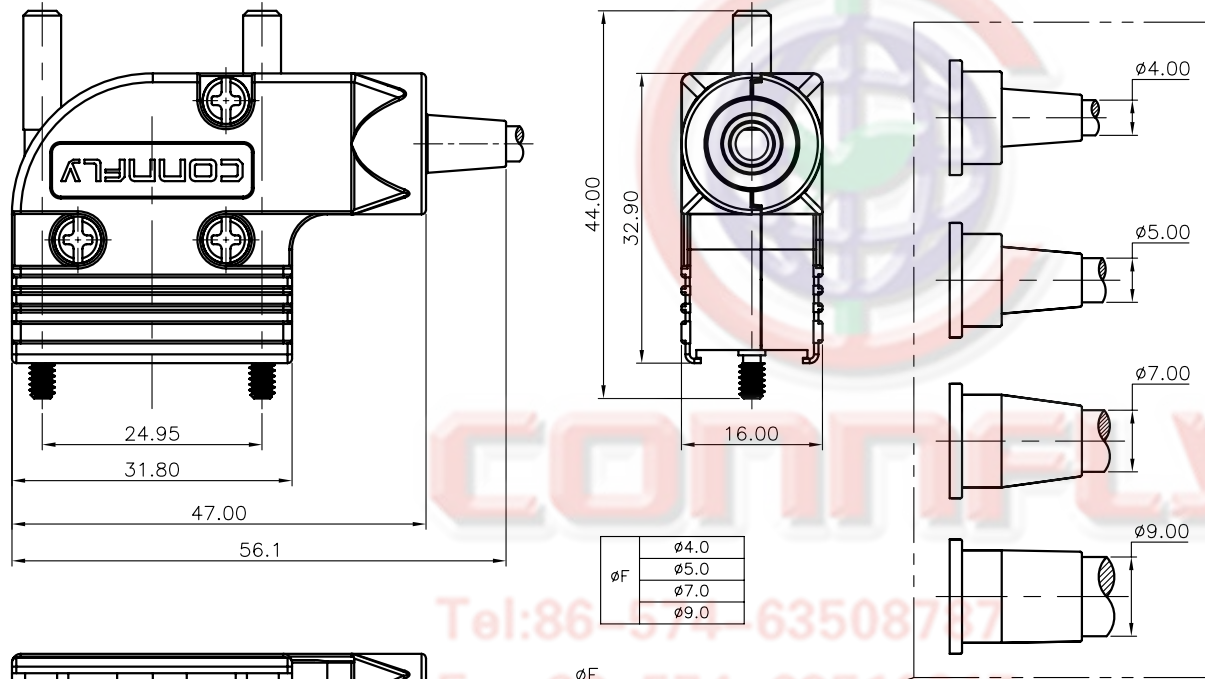
NOTES:

1. METAL HOOD MATERIAL: Znic alloy

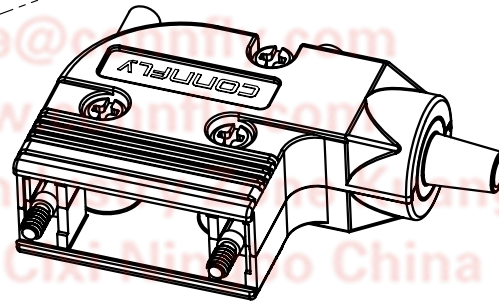
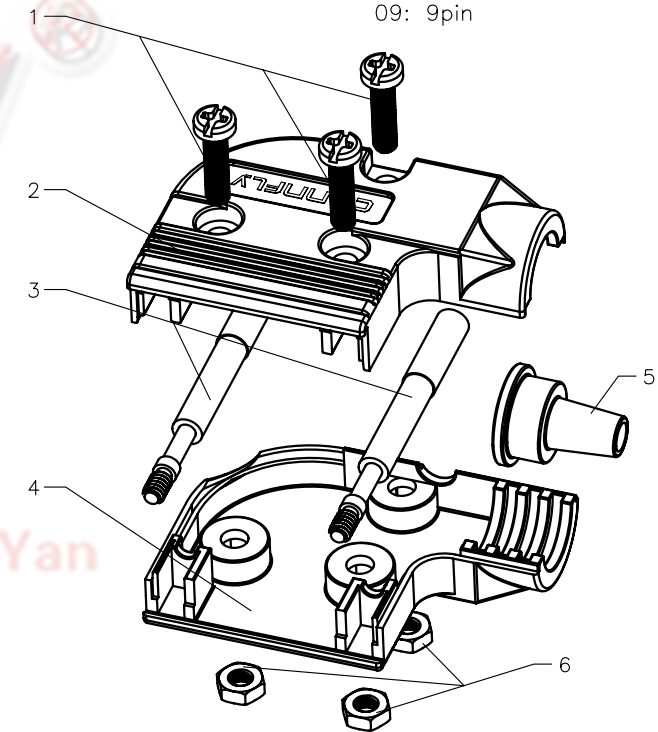
2. PART NUMBER CODE:

DS1047-01 - 09 X X - X

LOGO Support  
 X: W/O LOGO  
 N/A: CONNFLY LOGO  
 Packing type  
 1: Mix packing  
 2: Separation packing  
 Cover Material  
 M: Metal(Znic alloy)  
 Positions  
 09: 9pin



φF	φ
	4.0
	5.0
	7.0
	9.0



BOM LIST

ITEM	PART NAME	Q'ty	NOTES
1	SCREW	3	M3,Steel,Plating Nickel
2	UP METAL HOOD	1	Znic alloy,Plating Matt-Ni
3	LONG BOLT	2	UNC#4-40,Steel,Plating Nickel
4	DOWN METAL HOOD	1	Znic alloy,Plating Matt-Ni
5	SR	4	Black,TPR,UL94 V-0
6	NUT	3	M3,Steel,Plating Nickel

GENERAL TOLERANCE		ANGLE TOLERANCE		PROJECTION	TITLE
X.	±0.60	X.	±5°	mm	D-SUB 9pin Metal Hood
.X	±0.38	.X	±3°		90° type
.XX	±0.25	.XX	±2°		
DRAWING TYPE		COSTOMER		SHEET SIZE	
SCALE		1:1		A4	
DRAWING NO.		C-DS1047-01-09XX-X-B		SERIES DS1047-01 SERIES	

晨翔电子有限公司  
 CONNFLY® CONNFLY ELECTRONIC CO., LTD

REV.	DESCRIPTION	DRAWN	CHECKED	APPROVED
A	NEW RELEASE	YCH 03/31/11'	~	LJC 03/31/11'
B	ADD P/N CODE	YCH 12/07/13'	~	

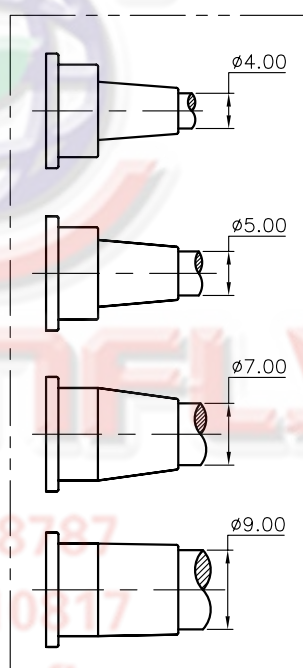
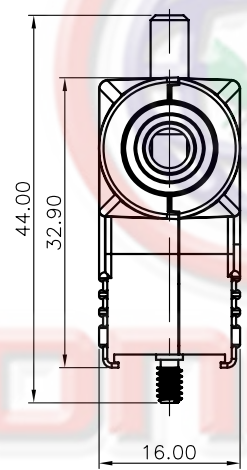
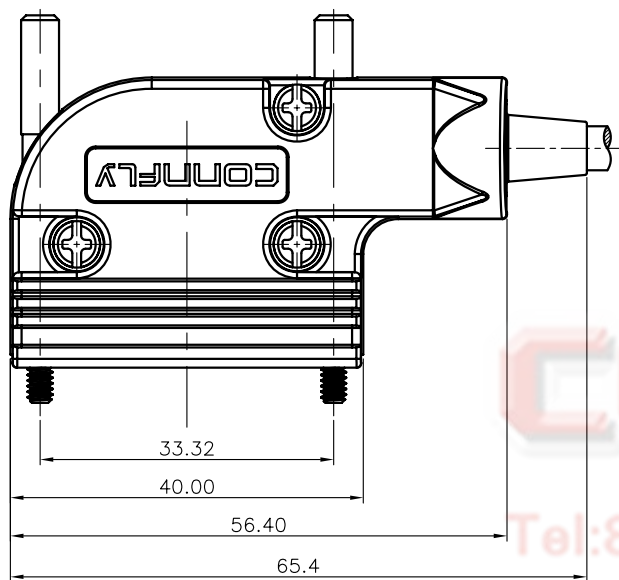
NOTES:

1. METAL HOOD MATERIAL: Znic alloy

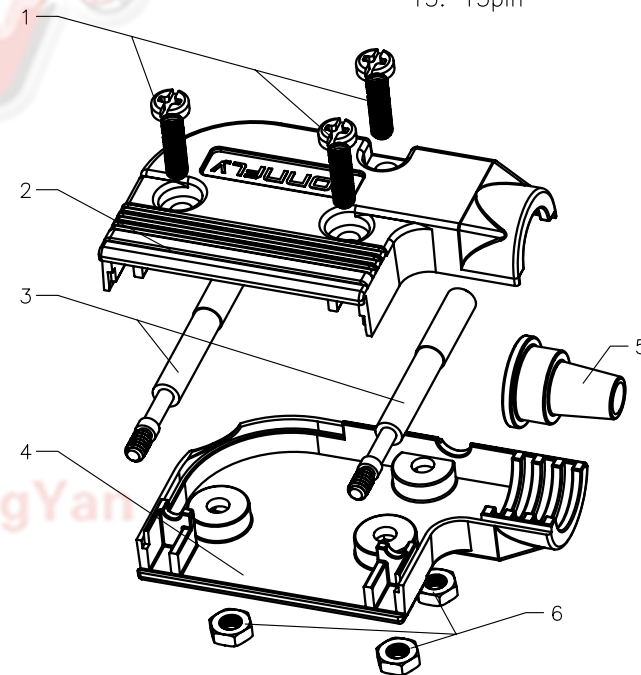
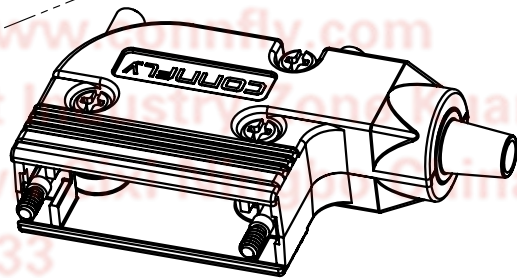
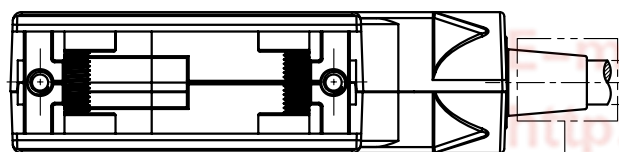
2. PART NUMBER CODE:

DS1047-01 - 15 X X - X

LOGO Support  
 X: W/O LOGO  
 N/A: CONNFLY LOGO  
 Packing type  
 1: Mix packing  
 2: Separation packing  
 Cover Material  
 M: Metal(Znic alloy)  
 Positions  
 15: 15pin



$\phi F$
$\phi 4.0$
$\phi 5.0$
$\phi 7.0$
$\phi 9.0$




BOM LIST			
ITEM	PART NAME	Q'ty	NOTES
1	SCREW	3	M3,Steel,Plating Nickel
2	UP METAL HOOD	1	Znic alloy,Plating Matt-Ni
3	LONG BOLT	2	UNC#4-40,Steel,Plating Nickel
4	DOWN METAL HOOD	1	Znic alloy,Plating Matt-Ni
5	SR	4	Black,TPR,UL94 V-0
6	NUT	3	M3,Steel,Plating Nickel

GENERAL TOLERANCE	ANGLE TOLERANCE
X. $\pm 0.60$	X. $\pm 5^\circ$
.X $\pm 0.38$	.X $\pm 3^\circ$
.XX $\pm 0.25$	.XX $\pm 2^\circ$

PROJECTION	TITLE	D-SUB 15pin Metal Hood	
UNITS	mm	90° type	
SHEET SIZE	A4	SERIES	DS1047-01 SERIES

DRAWING TYPE	COSTOMER	
SCALE	1:1	SHEET 1 OF 1
DRAWING NO.	C-DS1047-01-15XX-X-B	


**晨翔电子有限公司**  
**CONNFLY® CONNFLY ELECTRONIC CO., LTD**

REV.	DESCRIPTION	DRAWN	CHECKED	APPROVED
A	NEW RELEASE	YCH 03/31/11'	~	LJC 03/31/11'
B	ADD P/N CODE	YCH 12/07/13'	~	

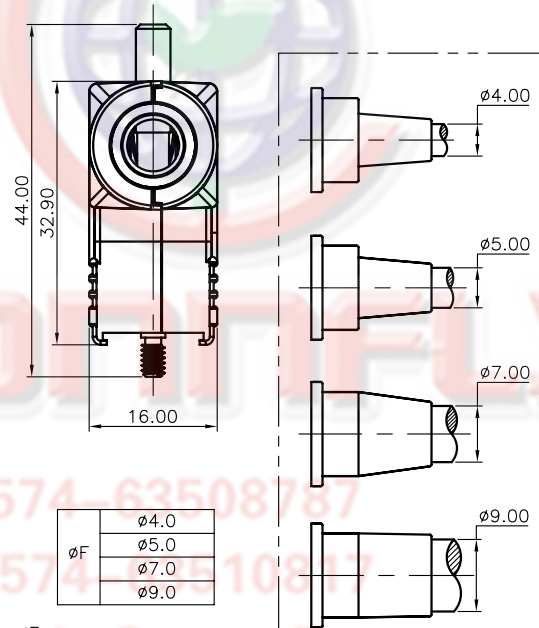
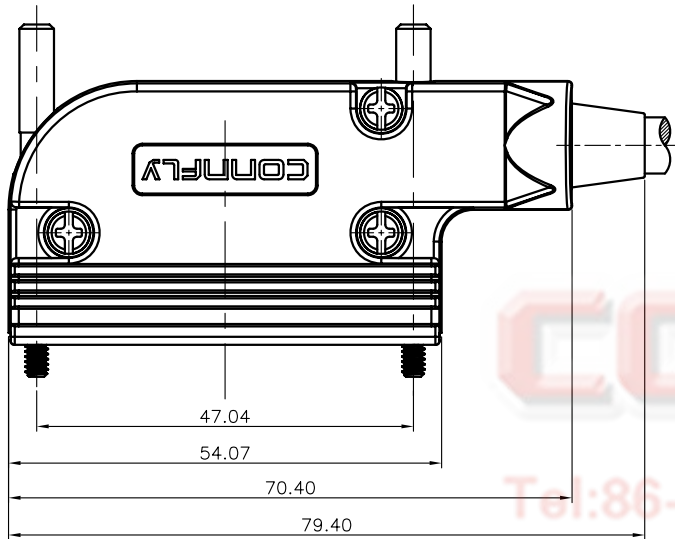
NOTES:

1. METAL HOOD MATERIAL: Znic alloy

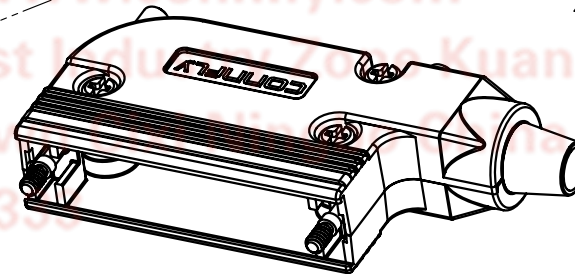
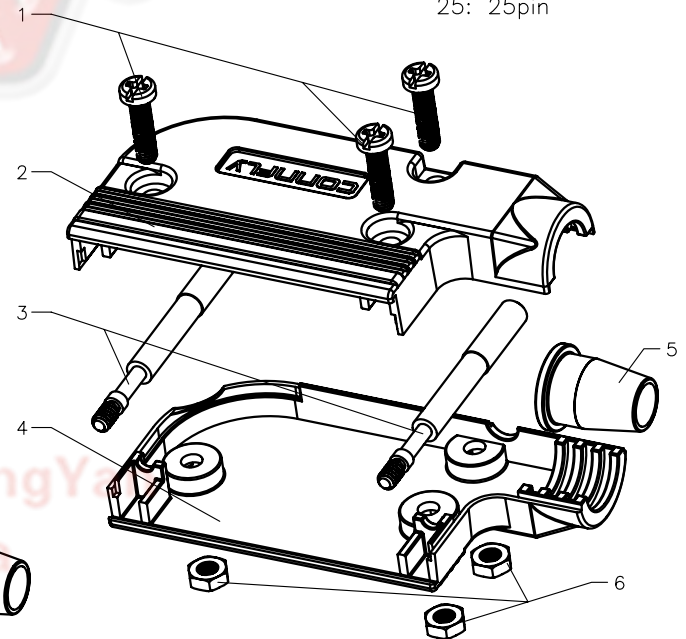
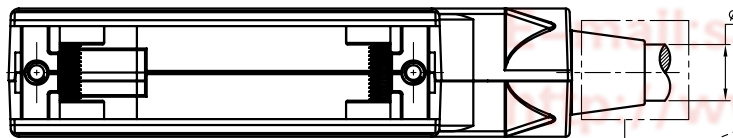
2. PART NUMBER CODE:

DS1047-01 - 25 X X - X

- LOGO Support
- X: W/O LOGO
- N/A: CONNFLY LOGO
- Packing type
- 1: Mix packing
- 2: Separation packing
- Cover Material
- M: Metal(Znic alloy)
- Positions
- 25: 25pin



ØF	Ø
	4.0
	5.0
	7.0
	9.0



BOM LIST

ITEM	PART NAME	Q'ty	NOTES
1	SCREW	3	M3,Steel,Plating Nickel
2	UP METAL HOOD	1	Znic alloy,Plating Matt-Ni
3	LONG BOLT	2	UNC#4-40,Steel,Plating Nicke
4	DOWN METAL HOOD	1	Znic alloy,Plating Matt-Ni
5	SR	4	Black,TPR,UL94 V-0
6	NUT	3	M3,Steel,Plating Nickel

GENERAL TOLERANCE	ANGLE TOLERANCE
X. ±0.60	X. ±5°
.X ±0.38	.X ±3°
.XX ±0.25	.XX ±2°

PROJECTION	TITLE
	D-SUB 25pin Metal Hood
UNITS	mm
SHEET SIZE	A4
SERIES	DS1047-01 SERIES

DRAWING TYPE	COSTOMER
SCALE	1:1 SHEET 1 OF 1
DRAWING NO.	C-DS1047-01-25XX-X-A

晨翔电子有限公司  
**CONNFLY® CONNFLY ELECTRONIC CO., LTD**

REV.	DESCRIPTION	DRAWN	CHECKED	APPROVED
A	NEW RELEASE	YCH 03/31/11'	~	LJC 03/31/11'
B	ADD P/N CODE	YCH 12/07/13'	~	

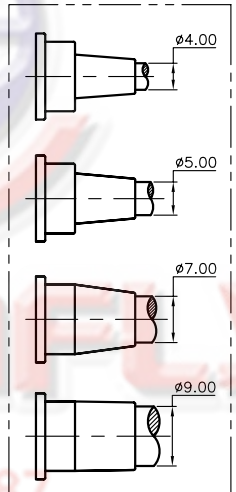
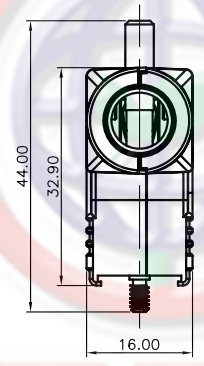
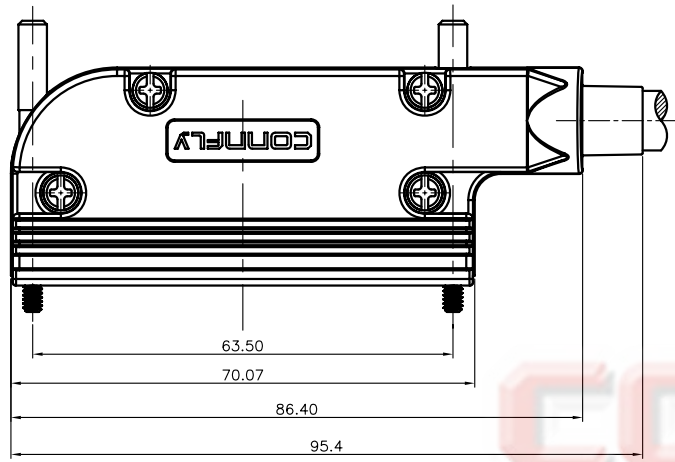
NOTES:

1. METAL HOOD MATERIAL: Znic alloy

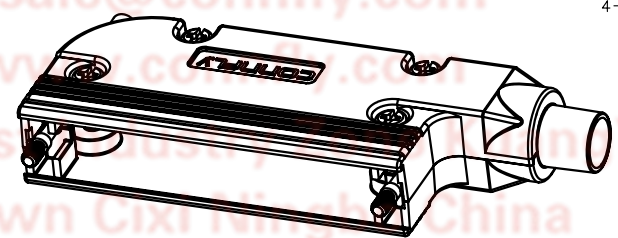
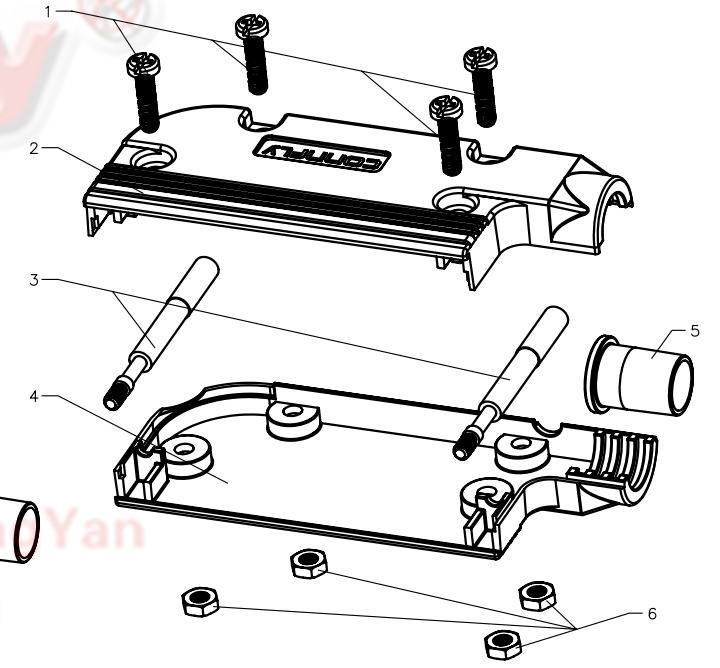
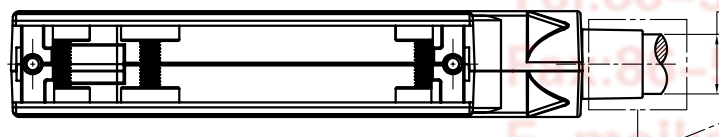
2. PART NUMBER CODE:

DS1047-01 - 37 X X - X

LOGO Support  
X: W/O LOGO  
N/A: CONNFLY LOGO  
Packing type  
1: Mix packing  
2: Separation packing  
Cover Material  
M: Metal(Znic alloy)  
Positions  
37: 37pin



$\phi F$	
$\phi 4.0$	
$\phi 5.0$	
$\phi 7.0$	
$\phi 9.0$	



BOM LIST			
ITEM	PART NAME	Q'ty	NOTES
1	SCREW	4	M3,Steel,Plating Nickel
2	UP METAL HOOD	1	Znic alloy,Plating Matt-Ni
3	LONG BOLT	2	UNC#4-40,Steel,Plating Nicke
4	DOWN METAL HOOD	1	Znic alloy,Plating Matt-Ni
5	SR	4	Black,TPR,UL94 V-0
6	NUT	4	M3,Steel,Plating Nickel

GENERAL TOLERANCE		ANGLE TOLERANCE		PROJECTION	TITLE
X.	$\pm 0.60$	X.	$\pm 5^\circ$		D-SUB 37pin Metal Hood 90° type
.X	$\pm 0.38$	.X	$\pm 3^\circ$	mm	
.XX	$\pm 0.25$	.XX	$\pm 2^\circ$		
DRAWING TYPE		COSTOMER		SHEET SIZE	SERIES
SCALE		1:1		A4	DS1047-01 SERIES
DRAWING NO.		C-DS1047-01-37XX-X-A			

晨翔电子有限公司  
**CONNFLY CONNFLY ELECTRONIC CO. LTD**