

The information provided herein is from CONNPLY Electronic Co., Ltd. and is confidential. Any disclosure to a party other than the recipient is prohibited. The intellectual properties and its rights contained herein, including but not limited to, trademarks, patents, copyrights, trade secrets, and technical know-how, are owned exclusively by CONNPLY or its affiliates. Unauthorized use or modification is strictly prohibited. CONNPLY may enforce its intellectual property rights at its own discretion; failures or delays to exercise such rights does not constitute a waiver of such rights.

1 2 3 4 5 6 7 8

REV.	DESCRIPTION	DRAWN	CHECKED	APPROVED
A	NEW RELEASE	JLZ 08/03/19'		

NOTES:

1. SPECIFICATIONS

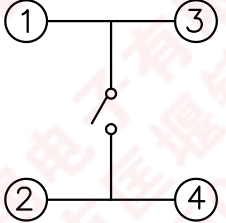
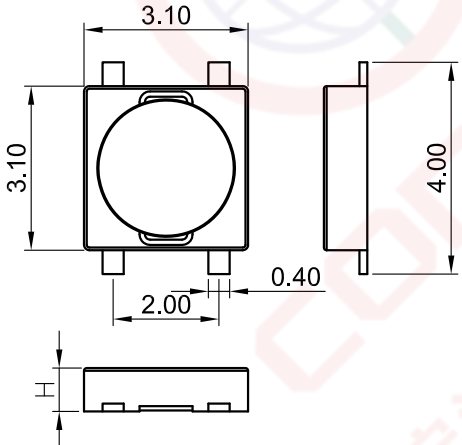
- . Switch Function: Single Pole Single Throw
- . Contact Rating: 50mA at 12Vdc
- . Insulation Resistance: 100MΩ min.
- . Contact Resistance: 100mΩ max.
- . Operating Life: 100,000 cycles
- . Travel: 0.15±0.1mm
- . Operation Temperature Range: -25°C to +70°C

. Wave Soldering: Recommended Solder Temperature At 500°F(260°C)max. 5 Seconds, Subject To PCB 1.6mm Thickness.

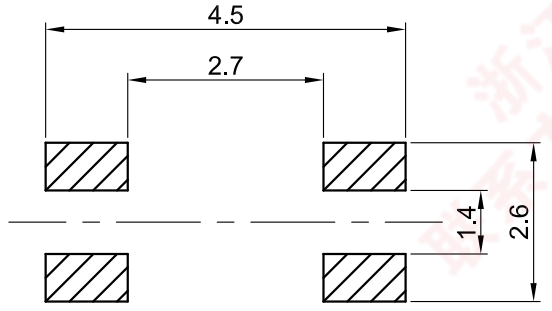
2. PRODUCT NUMBER CODE:

DS1042-30 - X X X X X X X

- Operating Life
10: 100,000 cycles
- Operating force
250: 250gf
- Packing type
A: polybag
B: tube
R: tape & reel
- Actuator color
Y: Yellow
- Housing color
B: Black
- Profile Height(DIM. H)
0082: 0.82mm
- No. of contacts
4: 4P



CIRCUIT DIAGRAM



PCB hole layout
Tolerance ±0.05

GENERAL TOLERANCE		ANGLE TOLERANCE		PROJECTION		TITLE	3.1*3.1mm Tact Switch SMT Type	
X.	±0.60	X.	±5°	UNITS	mm	SERIES	DS1042-30 SERIES	
.X	±0.38	.X	±3°	SHEET SIZE	A4			
.XX	±0.25	.XX	±2°					
DRAWING TYPE		CUSTOMER			晨翔电子有限公司 CONNPLY CONNPLY ELECTRONIC CO. LTD			
SCALE		1:1	SHEET 1 OF 1					
DRAWING NO.		C-DS1042-30-XXXXXXX-A						

1 2 3 4 5 6 7 8