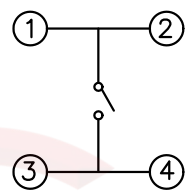
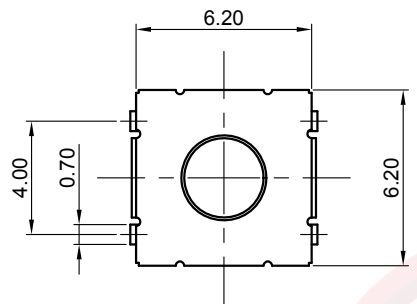
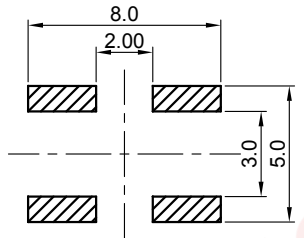
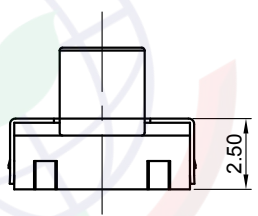
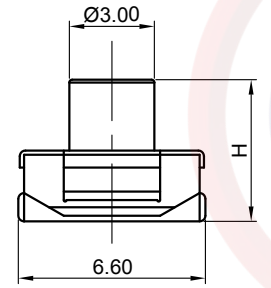


Dept	
Qty	
DC	1
ED	1
IE	1
ISO	1
PD	1
R&D	1
SD	1
QA	1
QC	1
QE	1

The information provided herein is from CONNELY Electronic Co., Ltd. and is confidential. Any disclosure to a party other than the recipient is prohibited. The intellectual properties and its rights contained herein, including but not limited to, trademarks, patents, copyrights, trade secrets, and technical know-how, are owned exclusively by CONNELY or its affiliates. Unauthorized use or modification is strictly prohibited. CONNELY may enforce its intellectual property rights at its own discretion, failure or delays to exercise such rights does not constitute a waiver of such rights.



Circuit diagram



Recommend P.C.B layout
Tolerance±0.05



(Series Image-Reference Only)

REV.	DESCRIPTION	DRAWN	CHECKED	APPROVED
A	NEW RELEASE	JLZ 01/29/18'	HZW 01/29/18'	LJC 01/29/18'
B	DRAWING UPDATE	JLZ 01/17/19'		

NOTES:

1. SPECIFICATIONS

- . Contact Rating: 50mA at 12Vdc
- . Insulation Resistance:100MΩ min.
- . Contact Resistance:50mΩ max.
- . Dielectric Withstanding Voltage: 250V AC(rms) for 1 minute.
- . Operating Life:100,000 cycles
- . Travel:0.3±0.1mm
- . Operation Temperature Range: -25°C to +70°C
- . Wave Soldering: Recommended Solder Temperature At 500°f(260°C)max. 5 Seconds
- . Hand Soldering: Use Soldering Iron Of 30 Watts,Controlled At 608°f(320°C)Approximately 2 Seconds.

2. PRODUCT NUMBER CODE:

DS1042-13 - X X X X X X X

- Operating life
10:100,000 cycles
- Operating force
260: 260±50gf
- Packing type
A: polybag
R: tape & reel
- Actuator color
U: Blue
W: White
- Housing color
K: Black
N: Brown
- Profile Height(DIM. H)
031:3.1mm 034:3.4mm
043:4.3mm 050:5.0mm.....
- No. of contacts
4: 4Pos

GENERAL TOLERANCE	ANGLE TOLERANCE	PROJECTION		TITLE	Tact Switch SMT Type 6.2mmX6.2mm		
X. ±0.60	X. ±5°	UNITS	mm	SERIES	DS1042-13 SERIES		
.X ±0.38	.X ±3°	SHEET SIZE	A4				
.XX ±0.25	.XX ±2°						
DRAWING TYPE	CUSTOMER		晨翔电子有限公司 CONNELY CONNELY ELECTRONIC CO., LTD				
SCALE	1:1	SHEET					1 OF 1
DRAWING NO.	C-DS1042-13-XXXXXX-B						