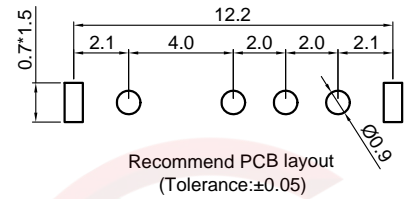
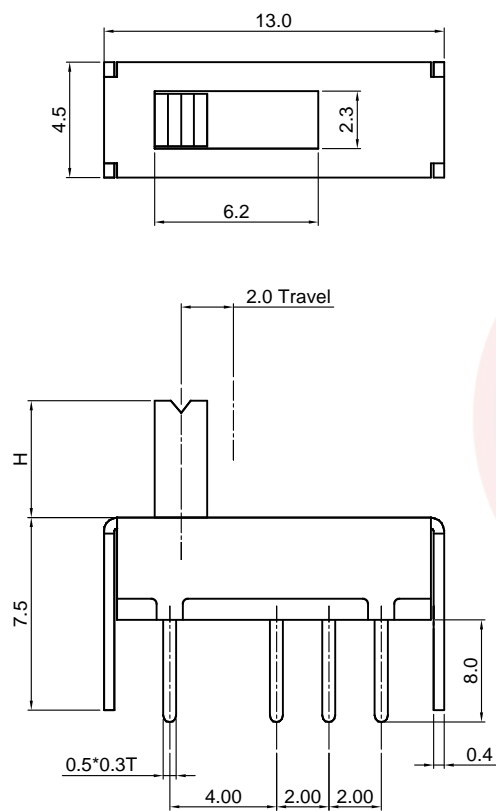
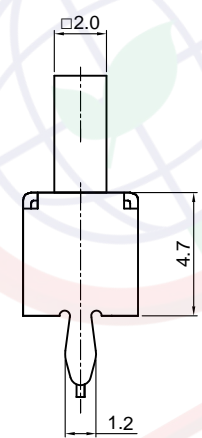
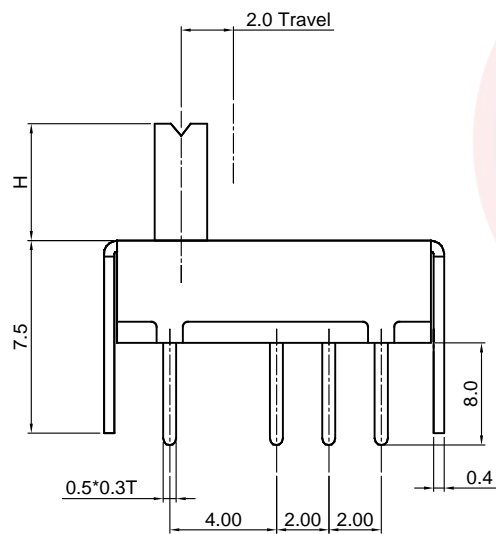


Dept	Qty
DC	1
ED	1
IE	1
ISO	1
PD	1
R&D	1
SD	1
QA	1
QC	1
QE	1

The information provided herein is from CONNELY Electronic Co., Ltd. and is confidential. Any disclosure to a party other than the recipient is prohibited. The intellectual properties and its rights contained herein, including but not limited to, trademarks, patents, copyrights, trade secrets, and technical know-how, are owned exclusively by CONNELY or its affiliates. Unauthorized use or reproduction of any part of this document is strictly prohibited. CONNELY may enforce its intellectual property rights at its own discretion, failures or delays to exercise such rights does not constitute a waiver of such rights.



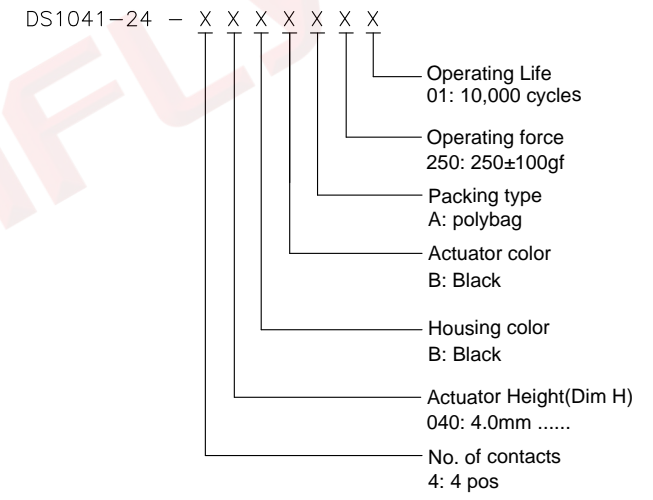
Recommend PCB layout
(Tolerance:±0.05)



(Series Image-Reference Only)

REV.	DESCRIPTION	DRAWN	CHECKED	APPROVED
A	NEW RELEASE	JLZ 08/07/19'		

- NOTES:
- Mechanical
 - Stroke: 2.00mm
 - Temperature Range: -16°C~+60°C
 - Materials
 - Frame: CRS NI Plated
 - Knob: POM Black
 - Terminal: BSP Ag Plated
 - Terminal Base: Phenol resin natural
 - Contact: PBS Ag Plated
 - Electrical
 - Electrical Life: 10000 cycles.
 - Contact resistance: 50mΩ Max.
 - Insulation Resistance: 100MΩ at 500V DC.
 - Dielectric Withstanding Voltage: 500VAC per 1 minute
 - Rating: DC 50V 0.3A
 - Product number code:



GENERAL TOLERANCE		ANGLE TOLERANCE		PROJECTION		TITLE	
X.	±0.60	X.	±5°	UNITS	mm	4.3*13.0mm Slide Switch 4 Positions Type	
.X	±0.38	.X	±3°	SHEET SIZE	A4	SERIES	DS1041-24 SERIES
.XX	±0.25	.XX	±2°	晨翔电子有限公司 CONNFLY CONNELY ELECTRONIC CO. LTD			
DRAWING TYPE		CUSTOMER					
SCALE		1:1					
DRAWING NO.		C-DS1041-24-XXXXXX-A					