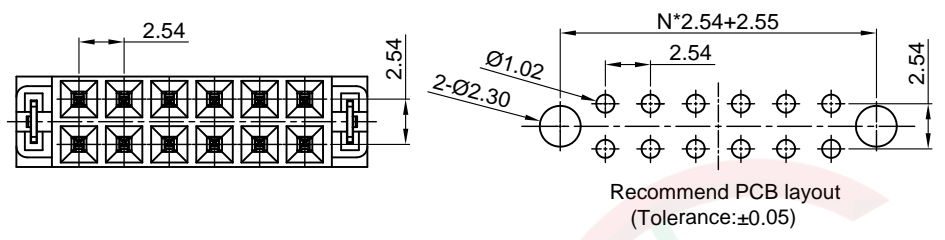
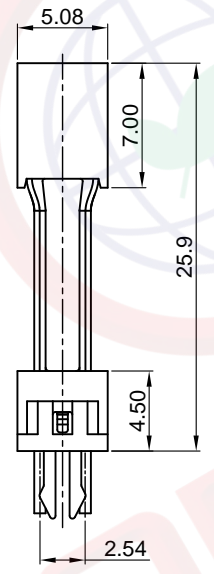
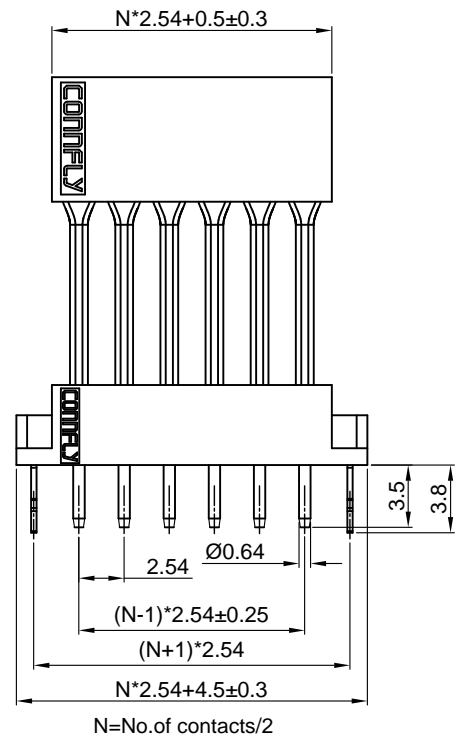


Dept	
Qty	
DC	1
ED	1
IE	1
ISO	1
PD	1
R&D	1
SD	1
QA	1
QC	1
QF	1

The information provided herein is from CONNELY Electronic Co., Ltd. and is confidential. Any disclosure to a party other than the recipient is prohibited. The intellectual properties and its rights contained herein, including but not limited to, trademarks, patents, copyrights, trade secrets, and technical know-how, are owned exclusively by CONNELY or its affiliates. Unauthorized use or reproduction of any part of this document is strictly prohibited. CONNELY reserves the right to make changes to the product specifications and drawings without notice. CONNELY may enforce its intellectual property rights at its own discretion, failures or delays to exercise such rights does not constitute a waiver of such rights.



Recommend PCB layout
(Tolerance:±0.05)



(Series Image-Reference Only)

REV.	DESCRIPTION	DRAWN	CHECKED	APPROVED
A	NEW RELEASE	JLZ 05/24/19'		

NOTES:

- Characteristics:
 - Contact resistance: 20mΩ Max.
 - Dielectric withstanding voltage: 600V AC(rms) for 1 minute.
 - Insulation resistance: 1000MΩ Min.
 - Current rating:3A.
- Environment characteristics:
 - Temperature: -40°C~+105°C.
- MATERIALS
 - Contact material: Copper alloy.
 - Contact plating: Gold Plating Over Nickel.
 - Insulator materials: High temp,Black,UL94-V0.

4. PRODUCT NUMBER CODE:

DS1023-64 - X X X X X X - X

- X X X X X X - X
- Fork support
- X: W/O Fork
- N/A Code: W/ Fork
- Packing type
- T: Tray
- Contact plating
- 8: Full gold flash
- Housing color
- B: Black
- Mounting type
- V: V/T Type
- Connector type
- S: Socket
- No.of contacts
- 2x2-2x20

GENERAL TOLERANCE		ANGLE TOLERANCE		PROJECTION		TITLE	2.54mm Female Header V/T Type H=25.9mm	
X.	±0.60	X.	±5°	UNITS	mm	SERIES	DS1023-64 SERIES	
.X	±0.38	.X	±3°					
.XX	±0.25	.XX	±2°					
DRAWING TYPE		CUSTOMER		晨翔电子有限公司 CONNFLY ELECTRONIC CO. LTD				
SCALE		1:1						
DRAWING NO.		C-DS1023-64-XXXXX-X-A						
		SHEET	1 OF 1					