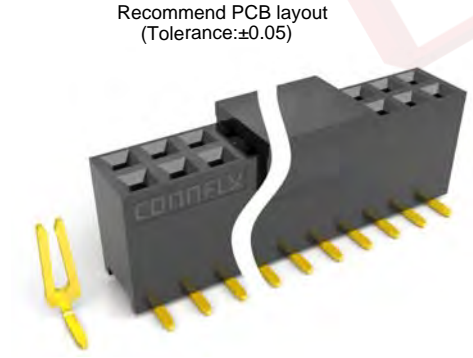
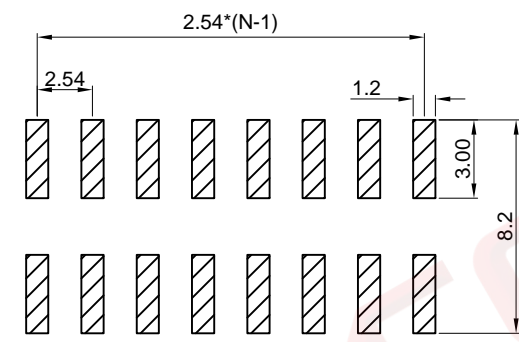
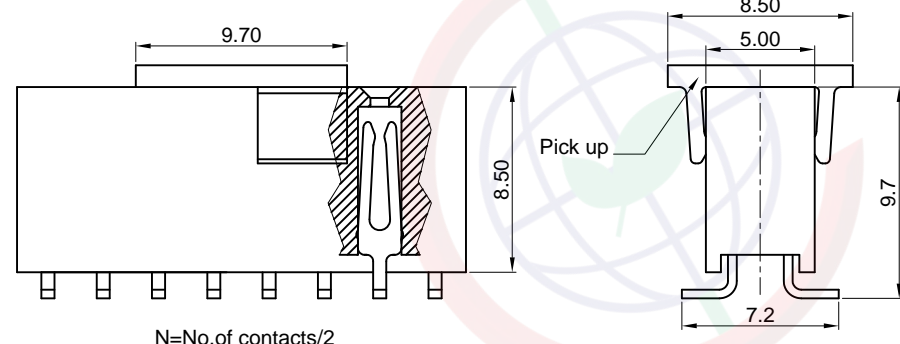
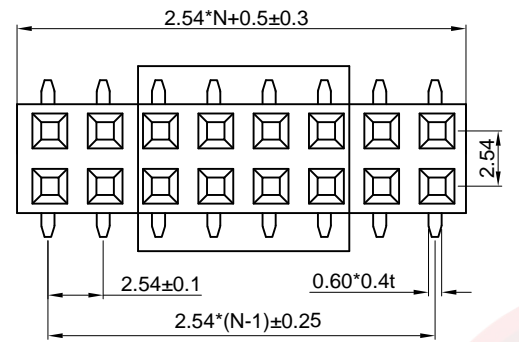


Dept	
Qty	
DC	1
ED	1
IE	1
ISO	1
PD	1
R&D	1
SD	1
QA	1
QC	1
QE	1

The information provided herein is from CONNELY Electronic Co., Ltd. and is confidential. Any disclosure to a party other than the recipient is prohibited. The intellectual properties and its rights contained herein, including but not limited to, trademarks, patents, copyrights, trade secrets, and technical know-how, are owned exclusively by CONNELY or its affiliates. Unauthorized use or reproduction of any part of this document is strictly prohibited. CONNELY may enforce its intellectual property rights at its own discretion, failures or delays to exercise such rights does not constitute a waiver of such rights.



(Series Image-Reference Only)

REV.	DESCRIPTION	DRAWN	CHECKED	APPROVED
A	NEW RELEASE	JLZ 10/11/14'	~	LJC 10/11/14'
B	DRAWING UPDATE	JLZ 01/11/19'	~	

Notes:
 Specifications:
 1. Contact Resistance: 20mΩ Max.
 2. Insulation Resistance: 1000MΩ Min.
 3. Dielectric Withstanding Voltage: 600V AC(rms) For 1 Minute.
 4. Current Rating:3A.
 5. Temperature: -40°C~+105°C.
 Materials:
 1. Contact Material: Copper Alloy.
 2. Contact Plating: Gold Plating Over Nickel.
 3. Insulator Material: High Temp,Black,UL94-V0.
 Product Number Code:

DS1023-31 - X X X X X
 X:W/O post
 Packing type
 R:Tape on reel
 B:Tube
 Pick up support
 S: W/ Pick up
 X: W/O Pick up
 Contact plating
 8: Full glod flash
 Housing color
 B: Black
 No.of contacts
 2x2 - 2x40

GENERAL TOLERANCE	ANGLE TOLERANCE	PROJECTION	TITLE	2.54mm FEMALE HEADER
X. ±0.60	X. ±5°	UNITS	mm	DOUBLE ROW SMT TYPE H=8.50mm
.X ±0.38	.X ±3°	SHEET SIZE	A4	SERIES DS1023-31 SERIES
.XX ±0.25	.XX ±2°	晨翔电子有限公司 CONNFLY CONNELY ELECTRONIC CO. LTD		
DRAWING TYPE	CUSTOMER			
SCALE	1:1 SHEET 1 OF 1			
DRAWING NO.	C-DS1023-31-XXXXXX-B			