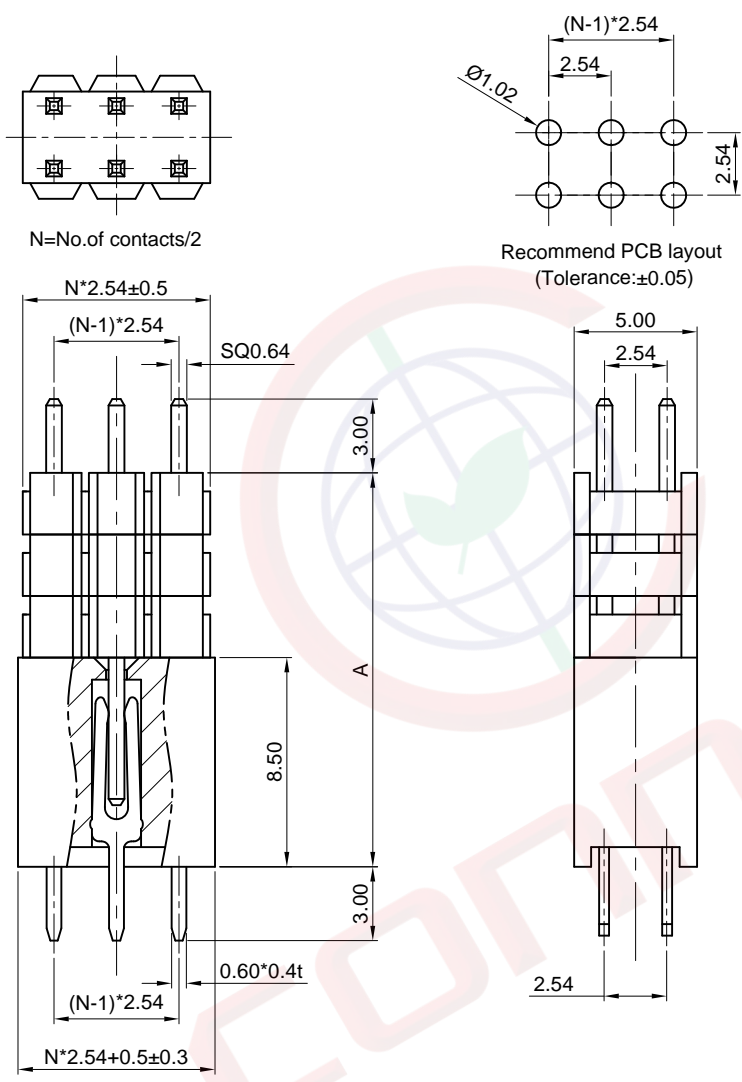


Dept	
Qty	
DC	1
ED	1
IE	1
ISO	1
PD	1
R&D	1
SD	1
QA	1
QC	1
QE	1

The information provided herein is from CONNFLY Electronic Co., Ltd. and is confidential. Any disclosure to a party other than the recipient is prohibited. The intellectual properties and its rights are reserved by CONNFLY Electronic Co., Ltd. and its affiliates. All intellectual properties provided herein are for reference purposes only and does not constitute authorization or its use. CONNFLY may enforce its intellectual property rights at its own discretion; failures or delays to exercise such rights does not constitute a waiver of such rights.



(Series Image-Reference Only)

REV.	DESCRIPTION	DRAWN	CHECKED	APPROVED
A	NEW RELEASE	YCH 03/07/07'		LJC 03/07/07'
B	DRAWING UPDATE	JLZ 12/26/18'		

- Notes:
 Specifications:
 1. Contact Resistance: 20mΩ Max.
 2. Insulation Resistance: 1000MΩ Min.
 3. Dielectric Withstanding Voltage: 600V AC(rms) For 1 Minute.
 4. Current Rating:3A.
 5. Temperature: -40°C~+105°C.

- Materials:
 1. Contact Material: Copper Alloy.
 2. Contact Plating: Gold Plating Over Nickel.
 3. Insulator Materials: PBT&PA-9T,Black,UL94-V0.

Product Number Code:
 DS1023-04 - X X X X X
 DIM A type
 A11.0
 A*.*
 Contact plating
 8: Full gold flash
 Housing color
 B: Black
 No.of contacts
 2x2-2x40

GENERAL TOLERANCE		ANGLE TOLERANCE		PROJECTION		TITLE	Female Header with Pin Header	
X.	±0.60	X.	±5°	UNITS	mm	pitch 2.54mm V/T Stack Type		
.X	±0.38	.X	±3°	SHEET SIZE	A4	SERIES	DS1023-04 SERIES	
.XX	±0.25	.XX	±2°	晨翔电子有限公司 CONNFLY CONNFLY ELECTRONIC CO. LTD				
DRAWING TYPE		CUSTOMER						
SCALE	1:1	SHEET	1 OF 1					
DRAWING NO.		C-DS1023-04-XXXX-B						