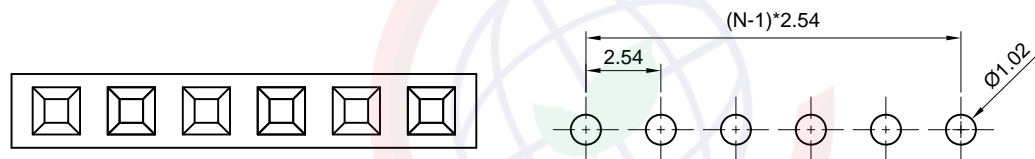
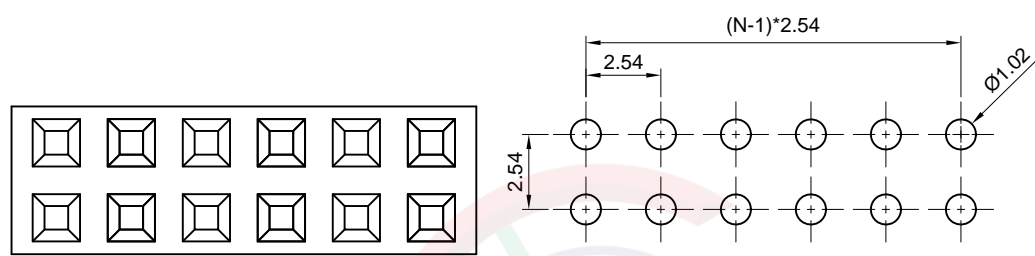


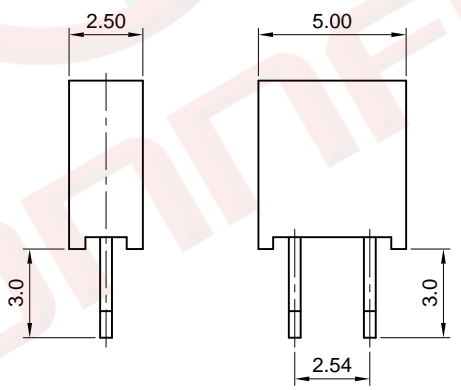
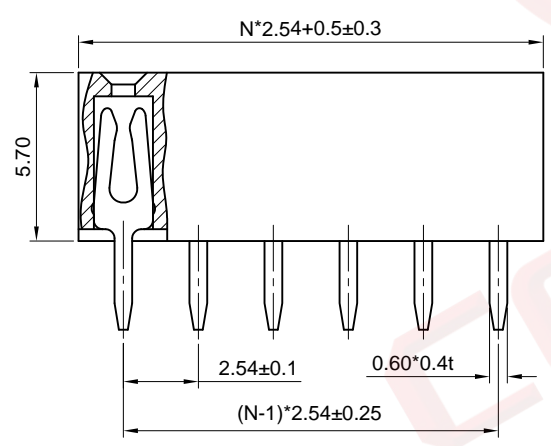
Dept	
Qty	
DC	1
ED	1
IE	1
ISO	1
PD	1
R&D	1
SD	1
QA	1
QC	1
QE	1

The information provided herein is from CONNPLY Electronic Co., Ltd. and is confidential. Any disclosure to a party other than the recipient is prohibited. The intellectual properties and its rights are reserved by CONNPLY Electronic Co., Ltd. All intellectual properties provided herein are for reference purposes only and does not constitute authorization or its use in any format or manner. CONNPLY may enforce its intellectual property rights at its own discretion; failures or delays to exercise such rights does not constitute a waiver of such rights.

REV.	DESCRIPTION	DRAWN	CHECKED	APPROVED
A	NEW RELEASE	LJH 04/09/06'		LJC 04/09/06'
B	DRAWING UPDATE	YCH 01/26/08'		LJC 01/26/08'
E	DRAWING UPDATE	JLZ 12/26/18'		



Recommend PCB layout
(Tolerance:±0.05)

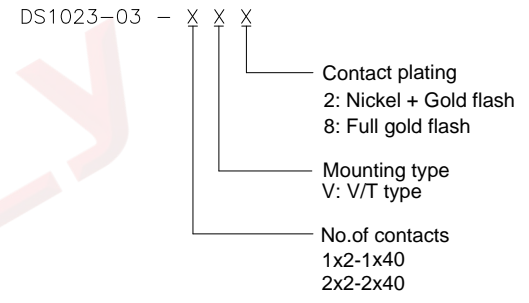


N=No.of contacts
(Single row)

N=No.of contacts/2
(Double row)

- Notes:
Specifications:
- Contact Resistance: 20mΩ Max.
 - Insulation Resistance: 1000MΩ Min.
 - Dielectric Withstanding Voltage: 600V AC(rms) For 1 Minute.
 - Current Rating:3A.
 - Temperature: -40°C~+105°C.

- Materials:
- Contact Material: Copper Alloy.
 - Contact Plating: Gold Plating Over Nickel.
 - Insulator Materials: PBT,Black,UL94-V0.
- Product Number Code:



(Series Image-Reference Only)

GENERAL TOLERANCE		ANGLE TOLERANCE		PROJECTION		TITLE	FEMALT HEADER PITCH
X.	±0.60	X.	±5°	UNITS	mm	2.54mm TYPE H=5.70mm	
.X	±0.38	.X	±3°	SHEET SIZE	A4	SERIES	DS1023-03 SERIES
.XX	±0.25	.XX	±2°	晨翔电子有限公司 CONNPLY ELECTRONIC CO. LTD			
DRAWING TYPE		CUSTOMER					
SCALE	1:1	SHEET	1 OF 1				
DRAWING NO.		C-DS1023-03-XXX-E					