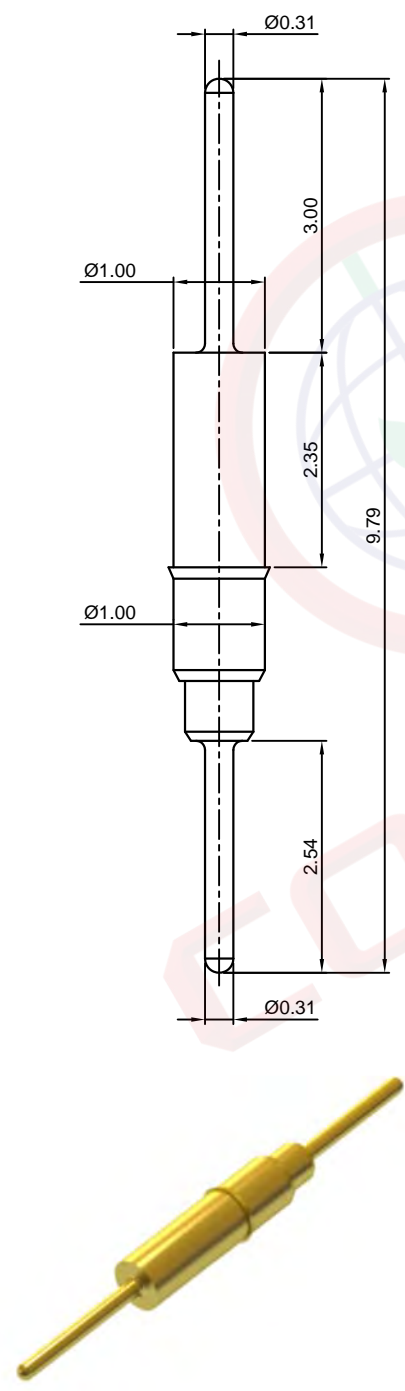


Dept	
Qty	
DC	1
ED	1
IE	1
ISO	1
PD	1
R&D	1
SD	1
QA	1
QC	1
QE	1

The information provided herein is from CONNELY Electronic Co., Ltd. and is confidential. Any disclosure to a party other than the recipient is prohibited. The intellectual properties and its rights contained herein, including but not limited to, trademarks, patents, copyrights, trade secrets, and technical know-how, are owned exclusively by CONNELY or its affiliates. Unauthorized use or reproduction of any part of this document is strictly prohibited. CONNELY reserves the right to make changes to this drawing without notice and to exercise such rights as it deems necessary. CONNELY may enforce its intellectual property rights at its own discretion, failures or delays to exercise such rights does not constitute a waiver of such rights.

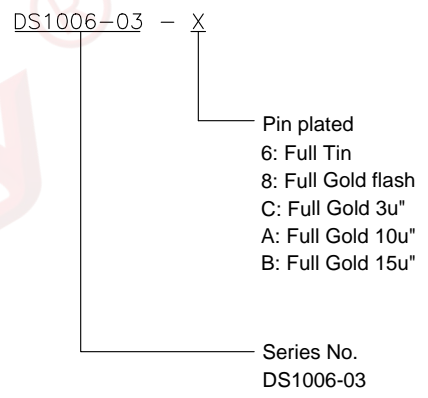


(Series Image-Reference Only)

REV.	DESCRIPTION	DRAWN	CHECKED	APPROVED
A	NEW RELEASE	HP 07/07/05'		LJC 07/07/05'
B	DRAWING UPDATE	JLZ 08/01/18'		

Technical data

- Material
  - . Pin: Brass,Machined,CuZn38Pb2
- Electrical
  - . Current Rating: 1A max.
  - . Operating Voltage: 60V max.
- Product number code:



GENERAL TOLERANCE		ANGLE TOLERANCE		PROJECTION		TITLE	BOARD TO BOARD TERMINALS 9.79mm		
X.	±0.60	X.	±5°	UNITS	mm				
.X	±0.38	.X	±3°	SHEET SIZE	A4	SERIES	DS1006-03 SERIES		
.XX	±0.25	.XX	±2°						
DRAWING TYPE		CUSTOMER		<b>晨翔电子有限公司</b> <b>CONNFLY CONNELY ELECTRONIC CO. LTD</b>					
SCALE		1:1	SHEET						1 OF 1
DRAWING NO.		C-DS1006-03-X-B							