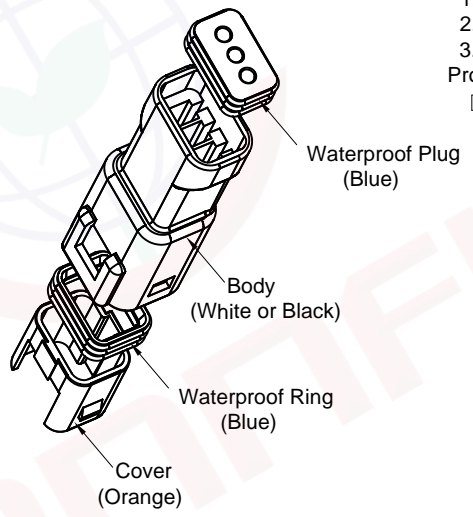
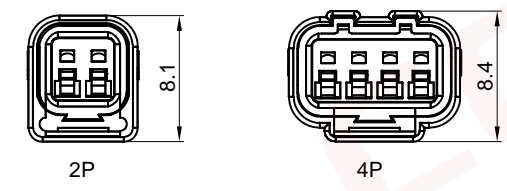
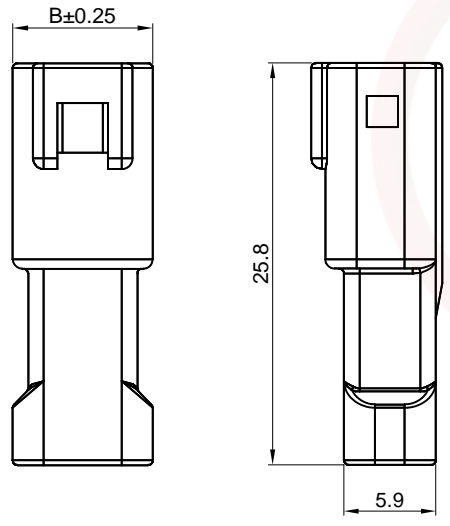
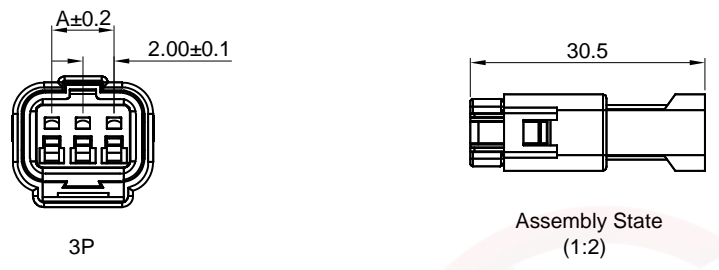


Dept	
Qty	
DC	1
ED	1
IE	1
ISO	1
PD	1
R&D	1
SD	1
QA	1
QC	1
QE	1

The information provided herein is from CONNELY Electronic Co., Ltd. and is confidential. Any disclosure to a party other than the recipient is prohibited. The intellectual properties and its rights contained herein, including but not limited to, trademarks, patents, copyrights, trade secrets, and technical know-how, are owned exclusively by CONNELY or its affiliates. Unauthorized use or reproduction of any part of this document is strictly prohibited. CONNELY may enforce its intellectual property rights at its own discretion, failures or delays to exercise such rights does not constitute a waiver of such rights.

REV.	DESCRIPTION	DRAWN	CHECKED	APPROVED
A	NEW RELEASE	JLZ 05/02/22'		



Position	Dimensions(mm)	
	A	B
2P	2.00	7.00
3P	4.00	9.00
4P	6.00	11.00

- Notes:
Specifications:
- Contact Resistance: 25mΩ Max.
 - Insulation Resistance: 1000MΩ Min.
 - Dielectric Withstanding Voltage: 500V AC(rms) For 1 Minute.
 - Current Rating:3A.
 - Voltage Rating:100V AC rms.
 - Temperature: -40°C~+85°C.

Material:
1. Body Material: PBT,White or Black.
2. Cover Material: PBT,Orange.
3. Waterproof Plug: Silicone rubber,Blue.

Product Number Code:
DS1162-02 - X X X X X

- Packing Type: P: Polybag
- Housing color: W:White, B: Black
- Mounting type: C: Crimp type
- Connector type: M: Male
- No. of contacts: 2: 2Pin 3: 3Pin 4: 4Pin



(Series Image-Reference Only)

GENERAL TOLERANCE		ANGLE TOLERANCE	
X.	±0.60	X.	±5°
.X	±0.38	.X	±3°
.XX	±0.25	.XX	±2°
DRAWING TYPE		CUSTOMER	
SCALE	1:1	SHEET	1 OF 6
DRAWING NO.	C-DS1162-02-XXXXX-A		

PROJECTION	TITLE	2.00mm Solar Series Connectors Wire to Wire Type	
UNITS	mm		
SHEET SIZE	SERIES	DS1162-02 SERIES	

晨翔电子有限公司
CONNFLY CONNELY ELECTRONIC CO., LTD

The information provided herein is from CONNELY Electronic Co., Ltd. and is confidential. Any disclosure to a party other than the recipient is prohibited. The intellectual properties and its rights contained herein, including but not limited to, trademarks, patents, copyrights, trade secrets, and technical know-how, are owned exclusively by CONNELY or its affiliates. Unauthorized use of this information in any format or manner. CONNELY may enforce its intellectual property rights at its own discretion; failures or delays to exercise such rights does not constitute a waiver of such rights.

1 2 3 4 5 6 7 8

REV.	DESCRIPTION	DRAWN	CHECKED	APPROVED
A	NEW RELEASE	JLZ 05/02/22'		

B

C

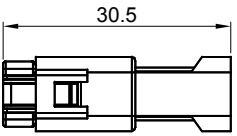
D

F

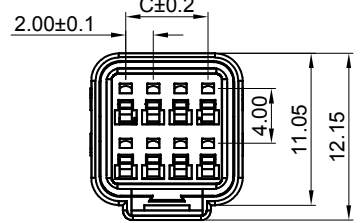
F

G

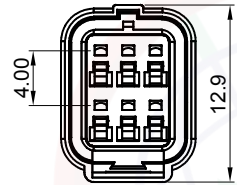
H



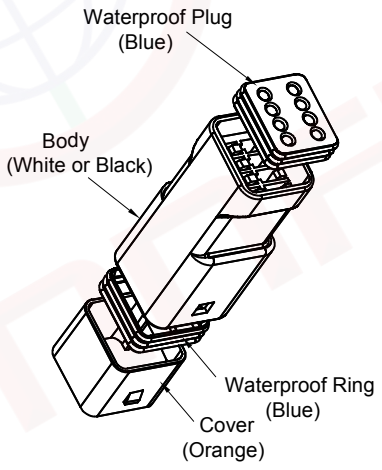
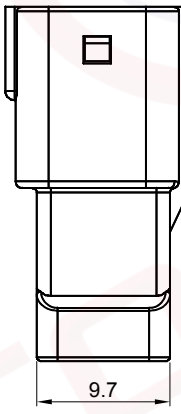
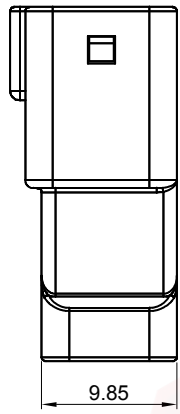
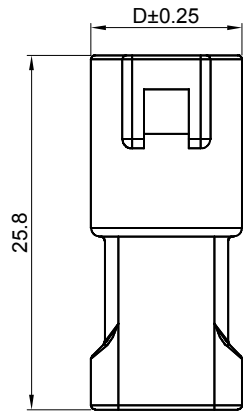
Assembly State
(1:2)



2x4P



2x3P



Notes:

Specifications:

- Contact Resistance: 25mΩ Max.
- Insulation Resistance: 1000MΩ Min.
- Dielectric Withstanding Voltage: 500V AC(rms) For 1 Minute.
- Current Rating:3A.
- Voltage Rating:100V AC rms.
- Temperature: -40°C~+85°C.

Material:

- Body Material: PBT,White or Black.
- Cover Material: PBT,Orange.
- Waterproof Plug: Silicone rubber,Blue.

Product Number Code:

DS1162-02 - X X X X X

- Packing Type
P: Polybag
- Housing color
W:White
B: Black
- Mounting type
C: Crimp type
- Connector type
M: Male
- No. of contacts
2x3: 2x3Pin 2x4: 2x4Pin

Position	Dimensions(mm)	
	C	D
2x3P	4.00	9.80
2x4P	6.00	11.00



(Series Image-Reference Only)

GENERAL TOLERANCE		ANGLE TOLERANCE	
X.	±0.60	X.	±5°
.X	±0.38	.X	±3°
.XX	±0.25	.XX	±2°

PROJECTION		TITLE	2.00mm Solar Series Connectors
UNITS	mm		Wire to Wire Type
SHEET SIZE	A4	SERIES	DS1162-02 SERIES

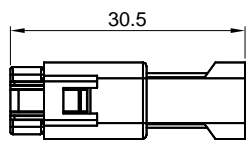
DRAWING TYPE	CUSTOMER		
SCALE	1:1	SHEET	2 OF 6
DRAWING NO.	C-DS1162-02-XXXXX-A		



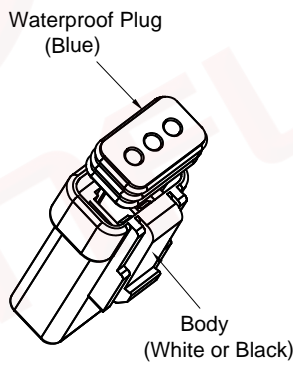
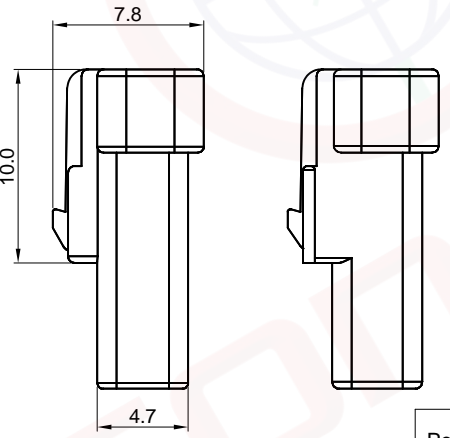
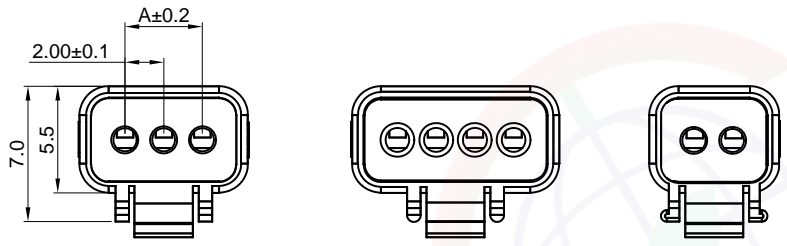
1 2 3 4 5 6 7 8

Dept	
Qty	
DC	1
ED	1
IE	1
ISO	1
PD	1
R&D	1
SD	1
QA	1
QC	1
QE	1

REV.	DESCRIPTION	DRAWN	CHECKED	APPROVED
A	NEW RELEASE	JLZ 05/02/22'		



Assembly State
(1:2)



Position	Dimensions(mm)	
	A	B
2P	2.00	6.70
3P	4.00	8.70
4P	6.00	10.70

- Notes:
Specifications:
- Contact Resistance: 25mΩ Max.
 - Insulation Resistance: 1000MΩ Min.
 - Dielectric Withstanding Voltage: 500V AC(rms) For 1 Minute.
 - Current Rating:3A.
 - Voltage Rating:100V AC rms.
 - Temperature: -40°C~+85°C.

- Material:
- Body Material: PBT,White or Black.
 - Cover Material: PBT,Orange.
 - Waterproof Plug: Silicone rubber,Blue.

Product Number Code:
DS1162-02 - X X X X X

- X: Packing Type (P: Polybag)
- X: Housing color (W:White, B: Black)
- X: Mounting type (C: Crimp type)
- X: Connector type (F: Female)
- X: No. of contacts (2: 2Pin, 3: 3Pin, 4: 4Pin)

The information provided herein is from CONNELY Electronic Co., Ltd. and is confidential. Any disclosure to a party other than the recipient is prohibited. The intellectual properties and its rights contained herein, including but not limited to, trademarks, patents, copyrights, trade secrets, and technical know-how, are owned exclusively by CONNELY or its affiliates. Unauthorized use or reproduction of any part of this document is strictly prohibited. CONNELY may enforce its intellectual property rights at its own discretion, failures or delays to exercise such rights does not constitute a waiver of such rights.



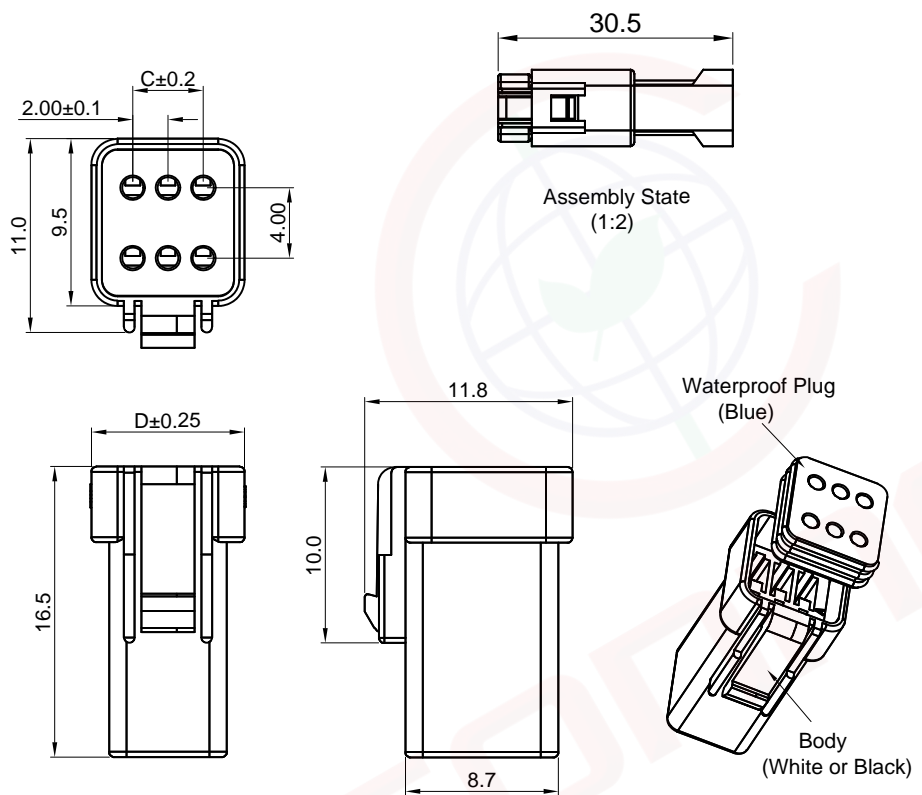
(Series Image-Reference Only)

GENERAL TOLERANCE	ANGLE TOLERANCE	PROJECTION		TITLE	2.00mm Solar Series Connectors Wire to Wire Type	
X. ±0.60	X. ±5°	UNITS	mm	SHEET SIZE	A4	SERIES DS1162-02 SERIES
.X ±0.38	.X ±3°	晨翔电子有限公司 CONNFLY CONNELY ELECTRONIC CO. LTD				
.XX ±0.25	.XX ±2°					
DRAWING TYPE	CUSTOMER					
SCALE	1:1	SHEET	3 OF 6			
DRAWING NO.	C-DS1162-02-XXXXX-A					

Dept	
Qty	
DC	1
ED	1
IE	1
ISO	1
PD	1
R&D	1
SD	1
QA	1
QC	1
QE	1

The information provided herein is from CONNELY Electronic Co., Ltd. and is confidential. Any disclosure to a party other than the recipient is prohibited. The intellectual properties and its rights contained herein, including but not limited to, trademarks, patents, copyrights, trade secrets, and technical know-how, are owned exclusively by CONNELY or its affiliates. Unauthorized use or reproduction of any part of this document is strictly prohibited. CONNELY reserves the right to make changes to this document without notice and to exercise such rights as a matter of such rights, its use in any format or manner. CONNELY may enforce its intellectual property rights at its own discretion, failures or delays to exercise such rights does not constitute a waiver of such rights.

REV.	DESCRIPTION	DRAWN	CHECKED	APPROVED
A	NEW RELEASE	JLZ 05/02/22'		



Notes:
 Specifications:
 1. Contact Resistance: 25mΩ Max.
 2. Insulation Resistance: 1000MΩ Min.
 3. Dielectric Withstanding Voltage: 500V AC(rms) For 1 Minute.
 4. Current Rating:3A.
 5. Voltage Rating:100V AC rms.
 6. Temperature: -40°C~+85°C.
 Material:
 1. Body Material: PBT,White or Black.
 2. Cover Material: PBT,Orange.
 3. Waterproof Plug: Silicone rubber,Blue.

Product Number Code:
 DS1162-02 - X X X X X
 X: Packing Type (P: Polybag)
 X: Housing color (W:White, B: Black)
 X: Mounting type (C: Crimp type)
 X: Connector type (F: Fmale)
 X: No. of contacts (2x3: 2x3Pin, 2x4: 2x4Pin)

Position	Dimensions(mm)	
	C	D
2x3P	4.00	8.70
2x4P	6.00	10.70



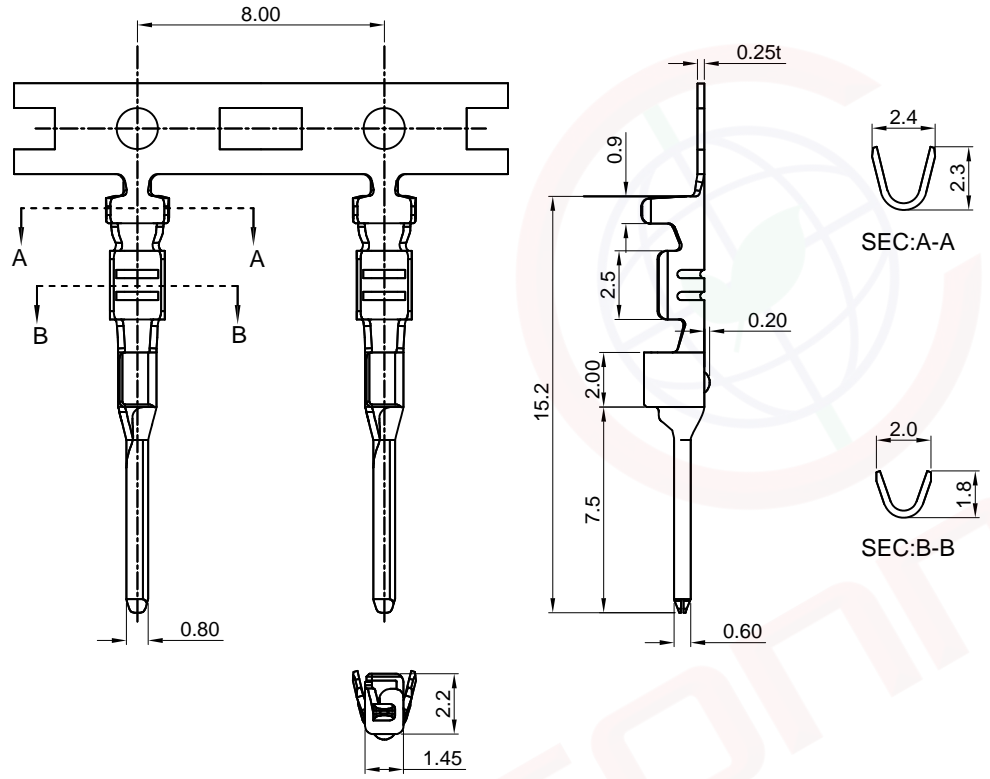
(Series Image-Reference Only)

GENERAL TOLERANCE		ANGLE TOLERANCE		PROJECTION		TITLE	2.00mm Solar Series Connectors Wire to Wire Type	
X.	±0.60	X.	±5°	UNITS	mm	SERIES	DS1162-02 SERIES	
.X	±0.38	.X	±3°	SHEET SIZE	A4			
.XX	±0.25	.XX	±2°					
DRAWING TYPE		CUSTOMER		晨翔电子有限公司 CONNFLY ELECTRONIC CO., LTD				
SCALE		1:1						
DRAWING NO.		C-DS1162-02-XXXXX-A						
		SHEET	4 OF 6					

Dept	
Qty	
DC	1
ED	1
IE	1
ISO	1
PD	1
R&D	1
SD	1
QA	1
QC	1
QE	1

The information provided herein is from CONNELY Electronic Co., Ltd. and is confidential. Any disclosure to a party other than the recipient is prohibited. The intellectual properties and its rights contained herein, including but not limited to, trademarks, patents, copyrights, trade secrets, and technical know-how, are owned exclusively by CONNELY or its affiliates. Unauthorized use or reproduction of this document in any form or by any means, electronic, mechanical, photocopying, recording, or by any information storage and retrieval system, without the prior written permission of CONNELY is strictly prohibited. CONNELY may enforce its intellectual property rights at its own discretion, failures or delays to exercise such rights does not constitute a waiver of such rights.

REV.	DESCRIPTION	DRAWN	CHECKED	APPROVED
A	NEW RELEASE	JLZ 05/02/22'		



- Notes:
 Specifications:
 1. Contact Resistance: 25mΩ Max.
 2. Wire Range: AWG#22-#24.
 3. Insulation O.D:1.7mm Max.
 Material:
 1. Contact Material: Copper Alloy.
 Product Number Code:

T - DS1162-02 - P C X 00

- Contact plating
- 6: Tin
- 8:Gold flash
- Mounting type
- C: Crimp type
- Contact type
- P: Plug



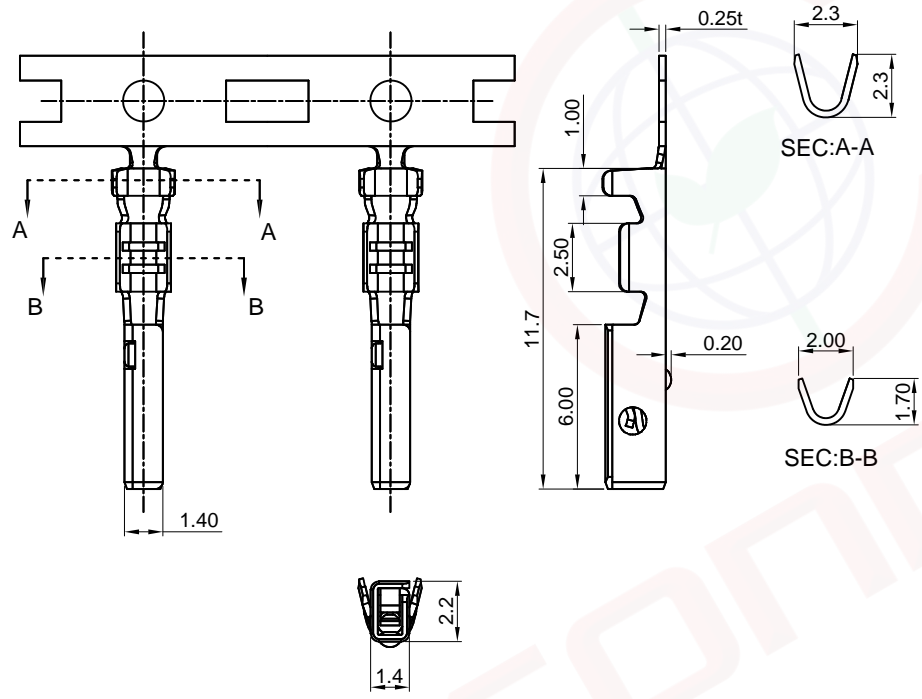
(Series Image-Reference Only)

GENERAL TOLERANCE		ANGLE TOLERANCE		PROJECTION		TITLE	2.00mm Solar Series Connectors		
X.	±0.60	X.	±5°	UNITS	mm		Wire to Wire Type		
.X	±0.38	.X	±3°	SHEET SIZE	A4	SERIES	DS1162-02 SERIES		
.XX	±0.25	.XX	±2°					晨翔电子有限公司 CONNFLY ELECTRONIC CO., LTD	
DRAWING TYPE		CUSTOMER							
SCALE		1:1		SHEET		5 OF 6			
DRAWING NO.		C-DS1162-02-XXXXX-A							

Dept	
Qty	
DC	1
ED	1
IE	1
ISO	1
PD	1
R&D	1
SD	1
QA	1
QC	1
QE	1

The information provided herein is from CONNELY Electronic Co., Ltd. and is confidential. Any disclosure to a party other than the recipient is prohibited. The intellectual properties and its rights contained herein, including but not limited to, trademarks, patents, copyrights, trade secrets, and technical know-how, are owned exclusively by CONNELY or its affiliates. Unauthorized use or reproduction of any part of this document is strictly prohibited. CONNELY reserves the right to make changes to this document without notice. CONNELY may enforce its intellectual property rights at its own discretion, failures or delays to exercise such rights does not constitute a waiver of such rights.

REV.	DESCRIPTION	DRAWN	CHECKED	APPROVED
A	NEW RELEASE	JLZ 05/02/22'		



Notes:
 Specifications:
 1. Contact Resistance: 25mΩ Max.
 2. Wire Range: AWG#22-#24.
 3. Insulation O.D:1.7mm Max.
 Material:
 1. Contact Material: Copper Alloy.
 Product Number Code:

T - DS1162-02 - S C X 00

- Contact plating
- 6: Tin
- 8:Gold flash
- Mounting type
- C: Crimp type
- Contact type
- S: Socket



(Series Image-Reference Only)

GENERAL TOLERANCE		ANGLE TOLERANCE		PROJECTION		TITLE	2.00mm Solar Series Connectors	
X.	±0.60	X.	±5°	UNITS	mm	Wire to Wire Type		
.X	±0.38	.X	±3°	SHEET SIZE	A4	SERIES	DS1162-02 SERIES	
.XX	±0.25	.XX	±2°			晨翔电子有限公司 CONNFLY CONNELY ELECTRONIC CO., LTD		
DRAWING TYPE		CUSTOMER						
SCALE	1:1	SHEET	5 OF 6					
DRAWING NO.		C-DS1162-02-XXXXX-A						