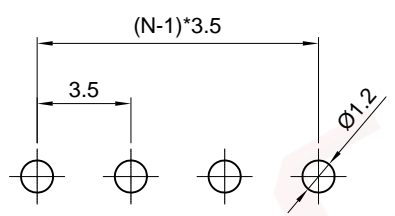
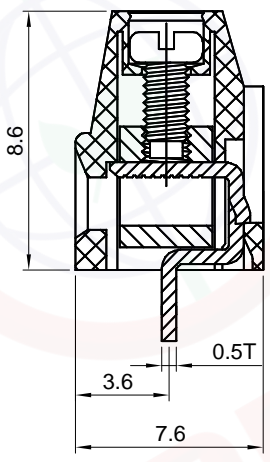
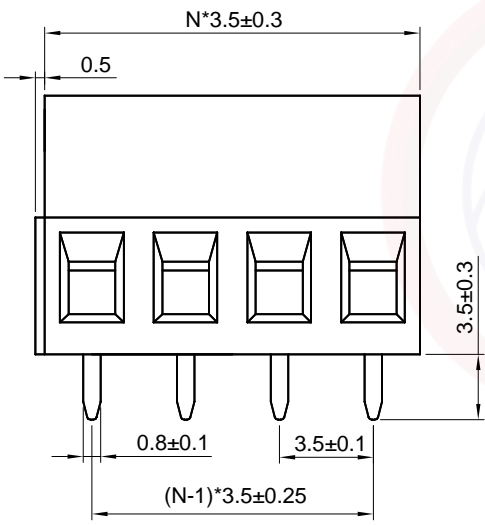
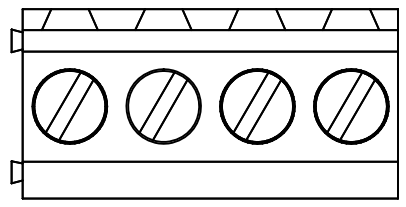


| | |
|------|---|
| Dept | |
| Qty | |
| DC | 1 |
| ED | 1 |
| IE | 1 |
| ISO | 1 |
| PD | 1 |
| R&D | 1 |
| SD | 1 |
| QA | 1 |
| QC | 1 |
| QE | 1 |

The information provided herein is from CONNELY Electronic Co., Ltd. and is confidential. Any disclosure to a party other than the recipient is prohibited. The intellectual properties and its rights contained herein, including but not limited to, trademarks, patents, copyrights, trade secrets, and technical know-how, are owned exclusively by CONNELY or its affiliates. Unauthorized use or reproduction of any part of this document is strictly prohibited. CONNELY may enforce its intellectual property rights at its own discretion, failures or delays to exercise such rights does not constitute a waiver of such rights.

N=No.of contacts



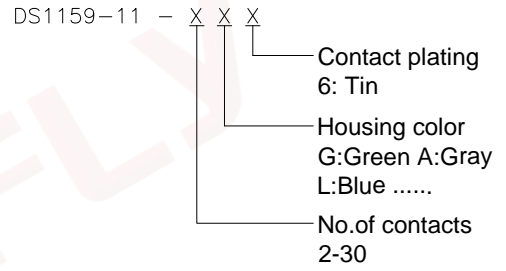
Recommend PCB layout
(Tolerance:±0.05)



(Series Image-Reference Only)

| REV. | DESCRIPTION | DRAWN | CHECKED | APPROVED |
|------|-------------|---------------|---------|----------|
| A | NEW RELEASE | JLZ 08/30/22' | | |
| | | | | |
| | | | | |

NOTES:
 Standard UL
 Rated voltage:300V
 Rated current:10A
 Wrth standing voltage:AC1500V/1 Min
 Wire range:24~16AWG
 Pitch:3.5mm
 Poles:2~24P
 Materials:
 Contact: Copper Alloy,Tin plated.
 Cage: Copper Alloy,Nickel plated.
 Screw: Stee,Zn plated.
 Insulator: Nylon.
 Product Number Code:



| | | | | | | | | |
|-------------------|-------|-------------------|-----|---|----|--------|---|--|
| GENERAL TOLERANCE | | ANGLE TOLERANCE | | PROJECTION | | TITLE | 3.50mm Screw Type Terminal Block V/T Type | |
| X. | ±0.60 | X. | ±5° | UNITS | mm | SHEET | 1 OF 1 | |
| .X | ±0.38 | .X | ±3° | SHEET SIZE | A4 | SERIES | DS1159-11 SERIES | |
| .XX | ±0.25 | .XX | ±2° | 晨翔电子有限公司 CONNFLY ELECTRONIC CO., LTD | | | | |
| DRAWING TYPE | | CUSTOMER | | | | | | |
| SCALE | | 1:1 | | | | | | |
| DRAWING NO. | | C-DS1159-11-XXX-A | | | | | | |