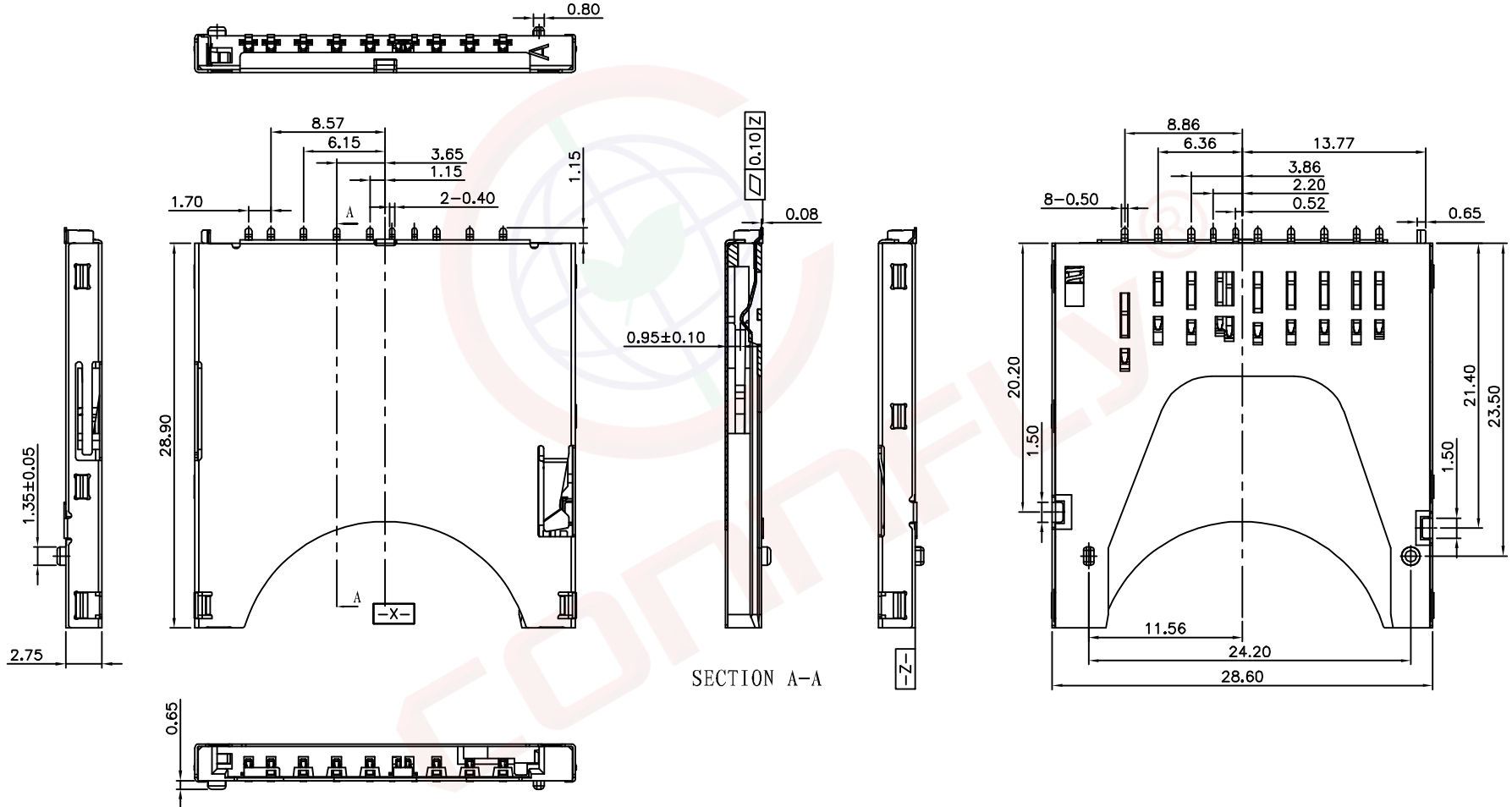


REV.	DESCRIPTION	DRAWN	CHECKED	APPROVED
A	NEW RELEASE	JLZ 10/14/14'		LJC 10/14/14'
B	DRAWING UPDATE	JLZ 05/03/17'		



CIRCUIT:		
 WITHOUT CARD	 CARD INSERTED WRITE PROTECT: LOCK	 CARD INSERTED WRITE PROTECT: UNLOCK

GENERAL TOLERANCE		ANGLE TOLERANCE	
X.	±0.60	X.	±5°
.X	±0.38	.X	±3°
.XX	±0.25	.XX	±2°

PROJECTION	TITLE	SD CARD PUSH-PUSH POST Ø1.35mm H=2.75MM	
UNITS	mm	SHEET SIZE	A4
SHEET SIZE	A4	SERIES	DS1139-01 SERIES

DRAWING TYPE	CUSTOMER		
SCALE	1:1	SHEET	1 OF 3
DRAWING NO.	C-DS1139-01-XXXXXX-B		

**晨翔电子有限公司**  
 CONFLY® CONNFLY ELECTRONIC CO., LTD

REV.	DESCRIPTION	DRAWN	CHECKED	APPROVED
A	NEW RELEASE	JLZ 10/14/14'		LJC 10/14/14'
B	DRAWING UPDATE	JLZ 05/03/17'		

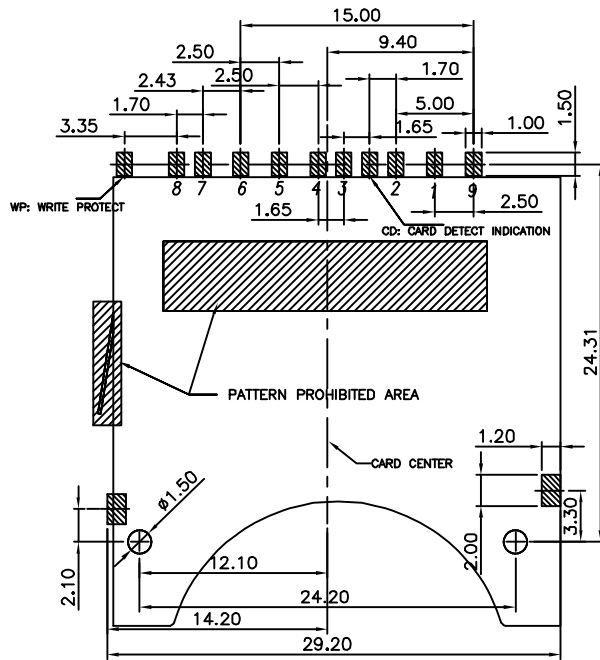
Notes:

- Material:
  - Insulator: High Temperature LCP UL94V-0 Color of Black.
  - Contacts: Copper Alloy.
  - Shell: Stainless Steel.
- Finish:
  - Solder Area: Matte Tin.
  - Contact Area: Gold Over Nickel.
- Specifications:
  - Operate Temperature:  $-40^{\circ}\text{C} \sim +85^{\circ}\text{C}$
  - Insulation Resistance:  $1000\text{M}\Omega$  Min.
  - Contact Resistance:  $100\text{m}\Omega$  max.
  - Withstanding Voltage:  $500\text{V AC}$  1min.
  - Operating Voltage:  $30\text{V AC/DC}$ .
  - Current Rating: 0.5A

4. Product Number Code:

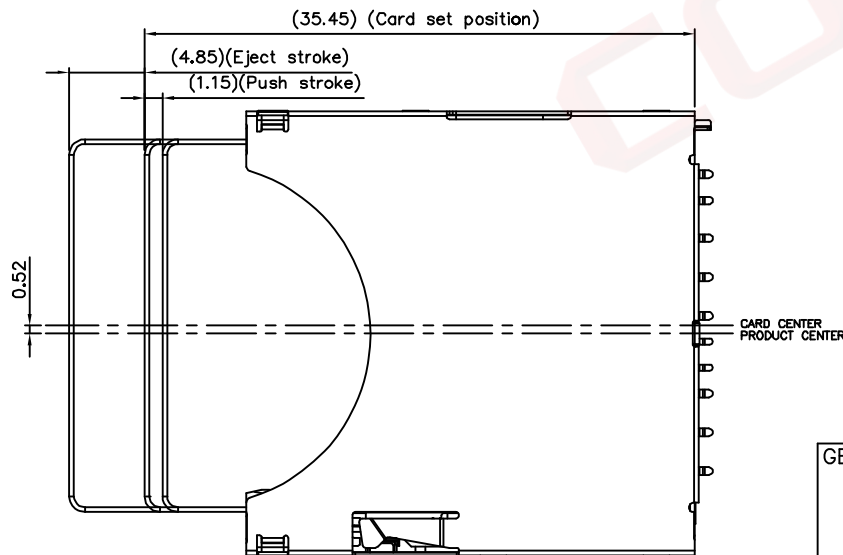
DS1139-01 - XX X X X X X X

- Packing Type  
R: Tape On Reel
- Shell Plating  
S: Stainless
- Housing color  
B: Black
- Contact Plating  
0: Selective gold flash  
4: Selective 3u" gold  
J: Selective 5u" gold  
1: Selective 10u" gold
- Mounting type  
S: SMT type
- Connector type  
S: Socket
- No. of contacts  
09:9pin



RECOMMENDED PCB LAYOUT  
(ALL TOLERANCE ARE  $\pm 0.05$ )

PIN NO.	SD	MMC
P1	MMC-DAT3 SD-CD/DAT3	1P 1P
P2	MMC-CMD SD-CMD	2P 2P
P3	MMC-VSS1 SD-VSS1	3P 3P
P4	MMC-VDD SD-VDD	4P 4P
P5	MMC-CLK SD-CLK	5P 5P
P6	MMC-VSS2 SD-VSS2	6P 6P
P7	MMC-DAT0 SD-DAT0	7P 7P
P8	SD-DAT1	8P
P9	SD-DAT2	9P



GENERAL TOLERANCE		ANGLE TOLERANCE	
X.	$\pm 0.60$	X.	$\pm 5^{\circ}$
.X	$\pm 0.38$	.X	$\pm 3^{\circ}$
.XX	$\pm 0.25$	.XX	$\pm 2^{\circ}$

PROJECTION	TITLE	SD CARD PUSH-PUSH POST $\phi 1.35\text{mm}$ H=2.75MM	
UNITS	mm	SHEET SIZE	A4
SHEET SIZE	A4	SERIES	DS1139-01 SERIES

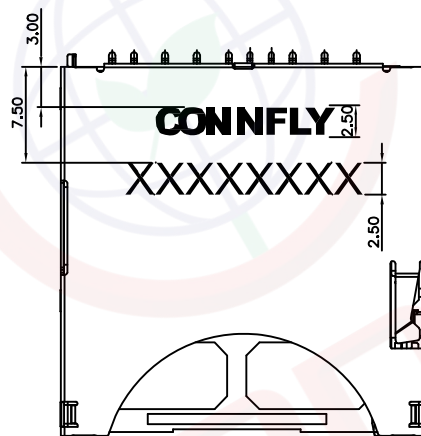
DRAWING TYPE	CUSTOMER		
SCALE	1:1	SHEET	2 OF 3
DRAWING NO.	C-DS1139-01-XXXXXX-B		



晨翔电子有限公司

CONNFly CONNFly ELECTRONIC CO., LTD

REV.	DESCRIPTION	DRAWN	CHECKED	APPROVED
A	NEW RELEASE	JLZ 10/14/14'		LJC 10/14/14'
B	DRAWING UPDATE	JLZ 05/03/17'		



NOTES: XXXXXX: Year Month Day, e.g. Oct 14th, 2014,  
jet printing 20141014

GENERAL TOLERANCE		ANGLE TOLERANCE		PROJECTION		TITLE		SD CARD PUSH-PUSH POST 01.35mm H=2.75MM		
X.	±0.60	X.	±5°	UNITS	mm					
.X	±0.38	.X	±3°	SHEET SIZE	A4	SERIES	DS1139-01 SERIES			
.XX	±0.25	.XX	±2°			<b>晨翔电子有限公司</b> CONNFLY ELECTRONIC CO., LTD				
DRAWING TYPE		CUSTOMER								
SCALE		1:1	SHEET	3 OF 3						
DRAWING NO.		C-DS1139-01-XXXXXXXX-B								