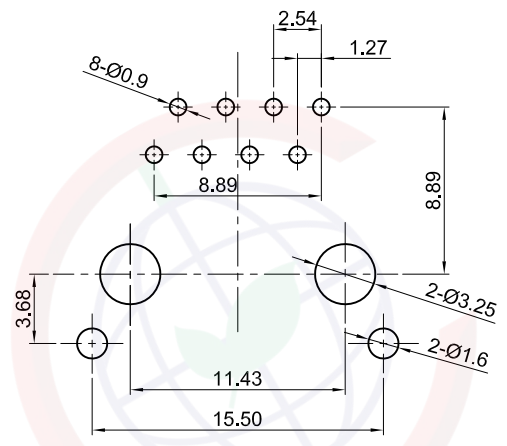
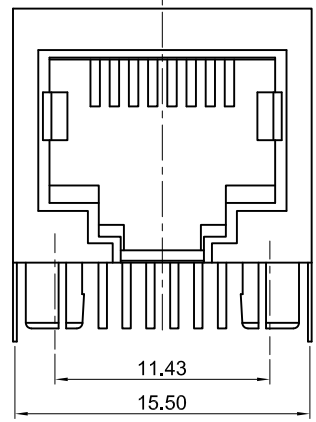


The information provided herein is from CONNELY Electronic Co., Ltd. and is confidential. Any disclosure to a party other than the recipient is prohibited. The intellectual properties and its rights contained herein, including but not limited to, trademarks, patents, copyrights, trade secrets, and technical know-how, are owned exclusively by CONNELY or its affiliates. Unauthorized use of this information in any format or manner. CONNELY may enforce its intellectual property rights at its own discretion; failures or delays to exercise such rights does not constitute a waiver of such rights.

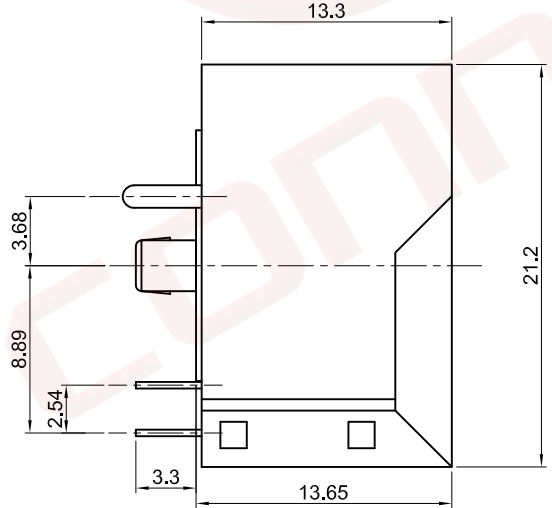
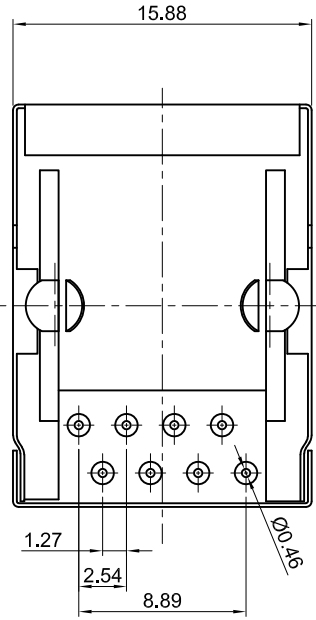
1 2 3 4 5 6 7 8

Dept	Qty
DC	1
ED	1
IE	1
ISO	1
PD	1
R&D	1
SD	1
QA	1
QC	1
QE	1

REV.	DESCRIPTION	DRAWN	CHECKED	APPROVED
A	NEW RELEASE	LJH 03/26/06'		LJC 03/26/06'
B	DRAWING UPDATE	JLZ 10/27/18'		



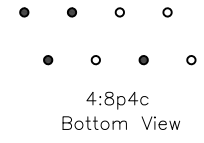
RECOMMEND PCB LAYOUT(TOLERANCE=±0.05)



- NOTES:
- ELECTRICAL CHARACTERISTICS:
 - CONTACT RESISTANCE: 30MΩ MAX.
 - DIELECTRIC WITHSTANDING VOLTAGE: 500V AC(RMS) FOR 1 MINUTE.
 - INSULATION RESISTANCE: 1000MΩ MIN.
 - CURRENT RATING:1.5A.
 - VOLTAGE RATING:125V AC RMS.
 - ENVIRONMENT CHARACTERISTICS:
 - TEMPERATURE: -40°C~+85°C.
 - MATERIALS:
 - CONTACT MATERIAL: COPPER ALLOY,GOLD FLASH.
 - SHEEL MATERIAL: COPPER ALLOY, NICKEL PLATED.
 - INSULATOR MATERIAL: PBT,BLACK,UL94-V0.
 - PRODUCT NUMBER CODE:

DS1128-X X X X X

- Housing Materials
P:PBT
N:Nylon
- Housing Color
B:Black
- Contact Plating
0:Full Gold Flash
- No.Of Contacts
4:8p4c 6:8p6c 8:8p8c
- Connector Type
S:Socket



GENERAL TOLERANCE		ANGLE TOLERANCE	
X.	±0.60	X.	±5°
.X	±0.38	.X	±3°
.XX	±0.25	.XX	±2°
DRAWING TYPE		CUSTOMER	
SCALE	1:1	SHEET	1 OF 2
DRAWING NO.	C-DS1128-XXXXX-B		

PROJECTION		TITLE	PCB JACK 8P 1PORT
UNITS	mm	SERIES	DS1128 SERIES
SHEET SIZE	A4		

晨翔电子有限公司
CONNFLY CONNELY ELECTRONIC CO. LTD

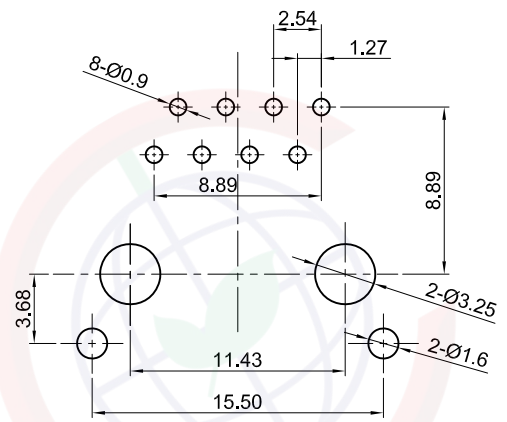
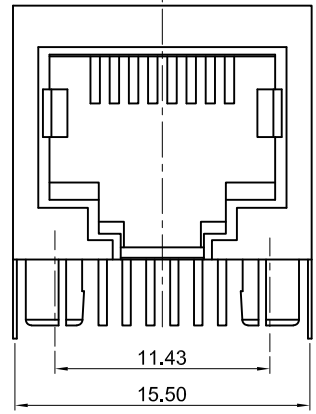
1 2 3 4 5 6 7 8

The information provided herein is from CONNELY Electronic Co., Ltd. and is confidential. Any disclosure to a party other than the recipient is prohibited. The intellectual properties and its rights contained herein, including but not limited to, trademarks, patents, copyrights, trade secrets, and technical know-how, are owned exclusively by CONNELY or its affiliates. Unauthorized use of this information in any format or manner. CONNELY may enforce its intellectual property rights at its own discretion; failures or delays to exercise such rights does not constitute a waiver of such rights.

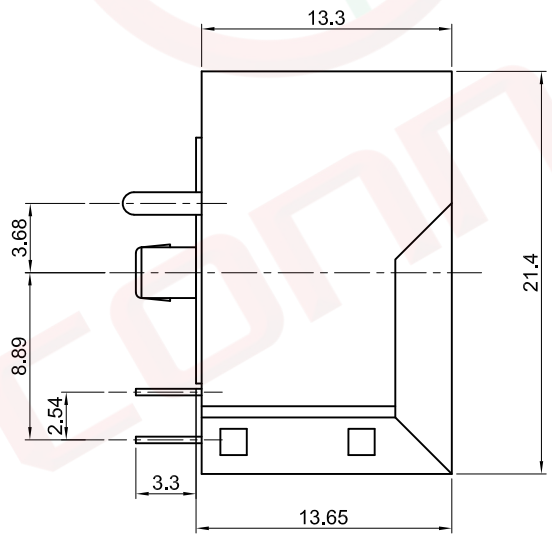
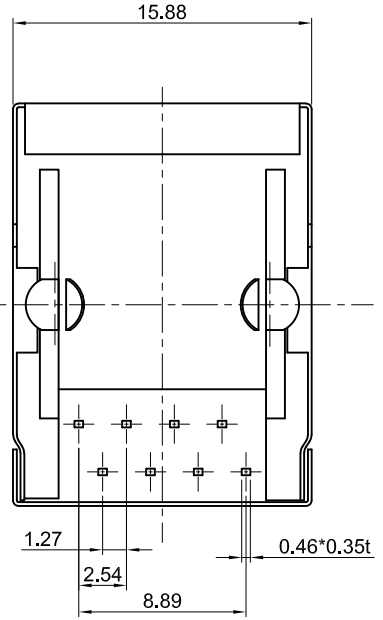
1 2 3 4 5 6 7 8

Dept	Qty
DC	1
ED	1
IE	1
ISO	1
PD	1
R&D	1
SD	1
QA	1
QC	1
QE	1

REV.	DESCRIPTION	DRAWN	CHECKED	APPROVED
A	NEW RELEASE	LJH 03/26/06'		LJC 03/26/06'
B	DRAWING UPDATE	JLZ 10/27/18'		

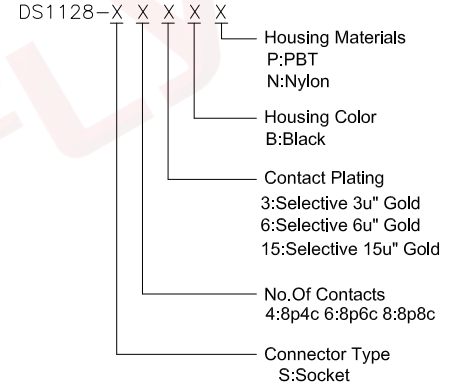


RECOMMEND PCB LAYOUT(TOLERANCE=±0.05)



NOTES:

- ELECTRICAL CHARACTERISTICS:
 - CONTACT RESISTANCE: 30MΩ MAX.
 - DIELECTRIC WITHSTANDING VOLTAGE: 500V AC(RMS) FOR 1 MINUTE.
 - INSULATION RESISTANCE: 1000MΩ MIN.
 - CURRENT RATING:1.5A.
 - VOLTAGE RATING:125V AC RMS.
- ENVIRONMENT CHARACTERISTICS:
 - TEMPERATURE: -40°C~+85°C.
- MATERIALS:
 - CONTACT MATERIAL: COPPER ALLOY,SELECTIVE GOLD.
 - SHEEL MATERIAL: COPPER ALLOY, NICKEL PLATED.
 - INSULATOR MATERIAL: PBT,BLACK,UL94-V0.
- PRODUCT NUMBER CODE:



GENERAL TOLERANCE		ANGLE TOLERANCE	
X.	±0.60	X.	±5°
.X	±0.38	.X	±3°
.XX	±0.25	.XX	±2°
DRAWING TYPE		CUSTOMER	
SCALE	1:1	SHEET	2 OF 2
DRAWING NO.	C-DS1128-XXXXX-B		

PROJECTION		TITLE	PCB JACK 8P 1PORT
UNITS	mm	SERIES	DS1128 SERIES
SHEET SIZE	A4		

晨翔电子有限公司
CONNFLY CONNFLY ELECTRONIC CO. LTD

1 2 3 4 5 6 7 8