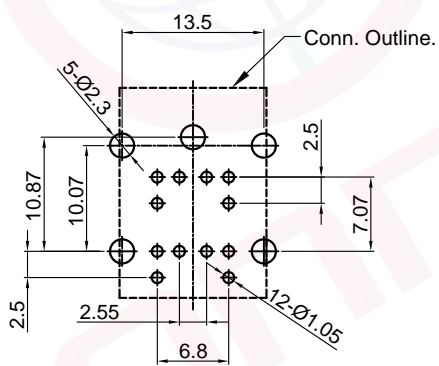
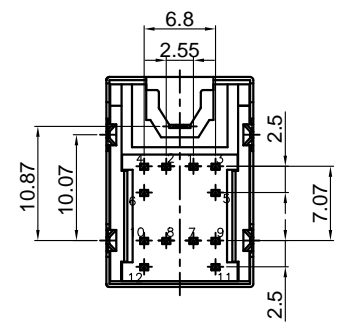
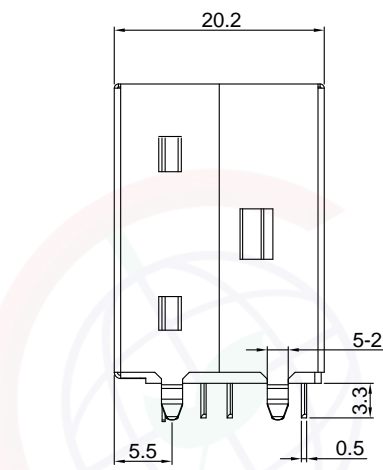
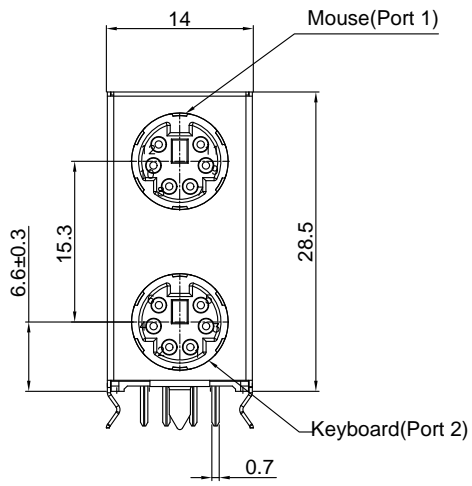


Dept	
Qty	
DC	1
ED	1
IE	1
ISO	1
PD	1
R&D	1
SD	1
QA	1
QC	1
QE	1

The information provided herein is from CONNELY Electronic Co., Ltd. and is confidential. Any disclosure to a party other than the recipient is prohibited. The intellectual properties and its rights contained herein, including but not limited to, trademarks, patents, copyrights, trade secrets, and technical know-how, are owned exclusively by CONNELY or its affiliates. Unauthorized use or modification is strictly prohibited. CONNELY may enforce its intellectual property rights at its own discretion, failure or delays to exercise such rights does not constitute a waiver of such rights.

REV.	DESCRIPTION	DRAWN	CHECKED	APPROVED
A	NEW RELEASE	HP 21/06/05'		LJC 21/06/05'
B	DRAWING UPDATE	JLZ 09/04/18'		
C	DRAWING UPDATE	JLZ 04/02/22'		



Recommended PCB layout (Tolerance:±0.05)
Thickness=1.6mm <Component Side>



(Series Image-Reference Only)

NOTES:

- Specifications:
 - 1.0 Voltage rating: 30V DC.
 - 1.1 Contact current rating: 1A Max. per pin.
 - 1.2 Contact resistance: 100 Milliohms Max.
 - 1.3 Dielectric withstanding voltage: 500V AC(rms) for 1 minute.
 - 1.4 Insulation resistance: 1000 Megaohms Min.
 - 1.5 Operating temperature: -40°C ~ +105°C.
- Product number code:

DS1094 - X X X X X

- Contact plating: 0: Selective Gold Flash
- No. of contacts: 6: 6pin
- Shell plating: 6: Tin
- Color of housing(Port 1): G: Green
- Color of housing(Port 2): P: Purple

GENERAL TOLERANCE		ANGLE TOLERANCE		PROJECTION		TITLE	
X.	±0.60	X.	±5°			MINI DIN TYPE STACK	
.X	±0.38	.X	±3°	UNITS		mm	
.XX	±0.25	.XX	±2°	SHEET SIZE		A4	
DRAWING TYPE				CUSTOMER			
SCALE				1:1			
DRAWING NO.				C-DS1094-XXXXX-C			
		晨翔电子有限公司					
		CONNELY ELECTRONIC CO., LTD					