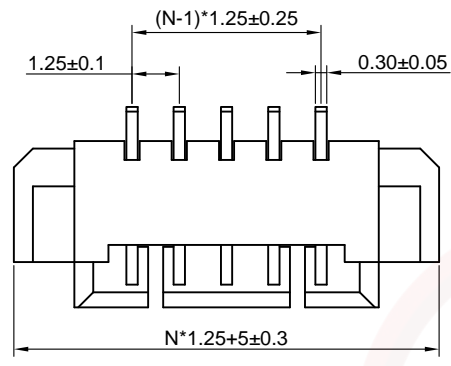
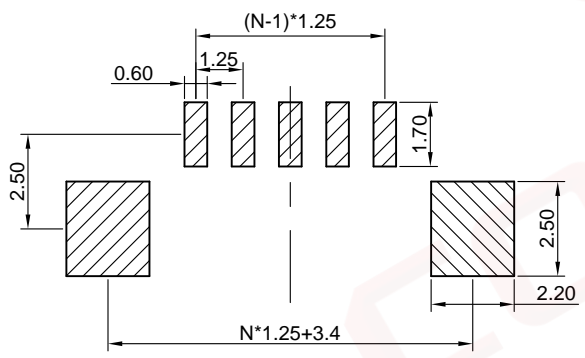
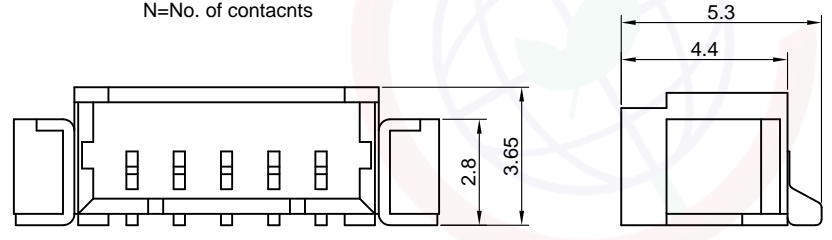


The information provided herein is from CONNELY Electronic Co., Ltd. and is confidential. Any disclosure to a party other than the recipient is prohibited. The intellectual properties and its rights contained herein, including but not limited to, trademarks, patents, copyrights, trade secrets, and technical know-how, are owned exclusively by CONNELY or its affiliates. Unauthorized use or reproduction of any part of this document is strictly prohibited. CONNELY may enforce its intellectual property rights at its own discretion, failures or delays to exercise such rights does not constitute a waiver of such rights.

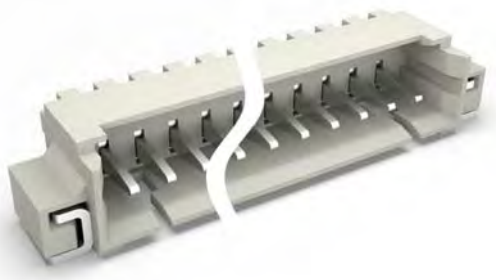
| | |
|------|-----|
| Dept | Qty |
| DC | 1 |
| ED | 1 |
| IE | 1 |
| ISO | 1 |
| PD | 1 |
| R&D | 1 |
| SD | 1 |
| QA | 1 |
| QC | 1 |
| QE | 1 |



N=No. of contacts



Recommend PCB layout(Tolerance:±0.05)



(Series Image-Reference Only)

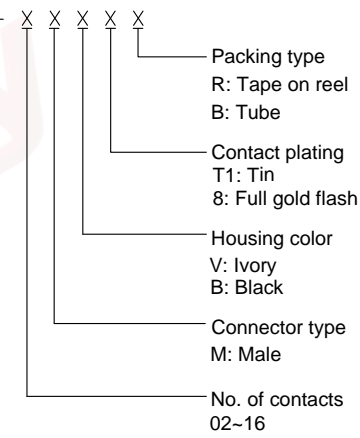
| REV. | DESCRIPTION | DRAWN | CHECKED | APPROVED |
|------|----------------|---------------|---------|---------------|
| A | NEW RELEASE | YCH 09/04/08' | | LJC 09/04/08' |
| B | DRAWING UPDATE | JLZ 07/27/16' | | |

NOTES:

- Materials
 - Insulator:Thermoplastic(UL 94V-0).
 - Contact:Copper alloy.
- Specification
 - Temperature range:-40~+105°C.
 - Contact resistance:20mΩ max.
 - Insulation resistance:100MΩ min.
 - Dielectric withstanding voltage:AC 250V per minute.

3. Product number code:

DS1020-02-XXXXX



| | | | | | | | |
|-------------------|-------|---------------------|--------|--|----|--------------|------------------------|
| GENERAL TOLERANCE | | ANGLE TOLERANCE | | PROJECTION | | TITLE | 1.25mm Wafer Connector |
| X. | ±0.60 | X. | ±5° | UNITS | mm | R/A SMT Type | |
| .X | ±0.38 | .X | ±3° | SHEET SIZE | A4 | SERIES | DS1020-02 SERIES |
| .XX | ±0.25 | .XX | ±2° | 晨翔电子有限公司 CONNELY ELECTRONIC CO., LTD | | | |
| DRAWING TYPE | | CUSTOMER | | | | | |
| SCALE | 1:1 | SHEET | 1 OF 1 | | | | |
| DRAWING NO. | | C-DS1020-02-XXXXX-B | | | | | |