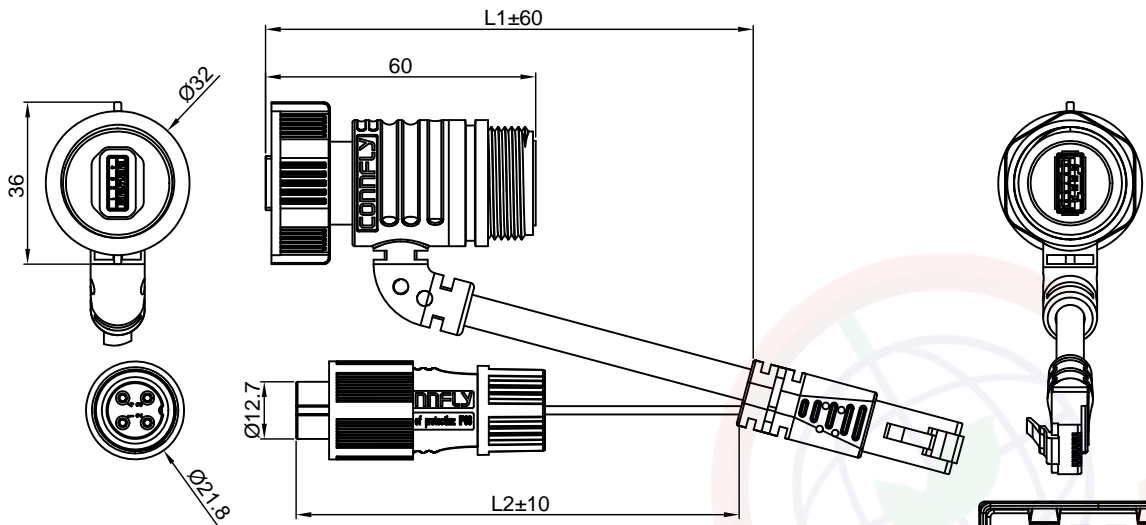


Dept	
Qty	
DC	1
ED	1
IE	1
ISO	1
PD	1
R&D	1
SD	1
QA	1
QC	1
QF	1

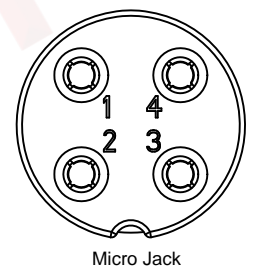
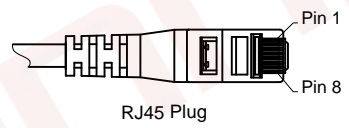
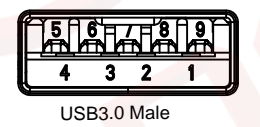
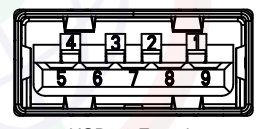
REV.	DESCRIPTION	DRAWN	CHECKED	APPROVED
A	NEW RELEASE	JLZ 06/15/23'		



Notes:
Specifications:
1. Contact Resistance: 3Ω Max.
2. Insulation Resistance: 500MΩ Min.
3. Dielectric Withstanding Voltage: 500V AC(rms) For 1 Minute.
4. Current Rating:0.5A.
5. Voltage Rating:24V AC rms.
6. Temperature: -40°C~+85°C.
Materials:
1. Insulating material:Nylon.
2. Contact material: Copper Alloy.
Product Number Code:
DS1162-12 - X X X X X X X X X X

- Connection Type
A: Type 1.....
- Wire length(Dim L2)
300: 300mm
- Adapter Style
A: RJ45
- Wire length(Dim L1)
3000: 3000mm
- Shell color
B: Black
- Contact plating
0: Selective gold flash
- Housing color
B: Black
- Mounting type
W: Soldering type
- Wire gauge
28: 28AWG
- Connector type
A: Adaptor
- No. of contacts
9: 9Pin

Connection				
RJ45 Plug	USB3.0 Male	Connection	USB3.0 Female	Micro Jack
/	Pin1	Yes	Pin1	/
/	Pin2	Yes	Pin2	/
/	Pin3	Yes	Pin3	/
/	Pin4	Yes	Pin4	/
Pin5	Pin5	No	Pin5	Pin4
Pin4	Pin6	No	Pin6	Pin3
/	Pin7	Yes	Pin7	/
/	Pin8	Yes	Pin8	/
/	Pin9	Yes	Pin9	/
/	Shell	Yes	Shell	/



GENERAL TOLERANCE		ANGLE TOLERANCE	
X.	±0.60	X.	±5°
.X	±0.38	.X	±3°
.XX	±0.25	.XX	±2°
DRAWING TYPE		CUSTOMER	
SCALE	1:1	SHEET	1 OF 1
DRAWING NO.	C-DS1162-12-XXXXX-A		

PROJECTION	TITLE
	USB 3.0 Adaptor Type
UNITS	mm
SHEET SIZE	A4
SERIES	DS1162-12 SERIES

晨翔电子有限公司
CONNFLY CONNFLY ELECTRONIC CO. LTD

The information provided herein is from CONNFLY Electronic Co., Ltd. and is confidential. Any disclosure to a party other than the recipient is prohibited. The intellectual properties and its rights are strictly prohibited without prior written consent from CONNFLY. All intellectual properties provided herein are for reference purposes only and does not constitute authorization of its use in any format or manner. CONNFLY may enforce its intellectual property rights at its own discretion; failures or delays to exercise such rights does not constitute a waiver of such rights.