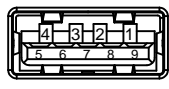


The information provided herein is from CONNPLY Electronic Co., Ltd. and is confidential. Any disclosure to a party other than the recipient is prohibited. The intellectual properties and its rights are strictly prohibited without prior written consent from CONNPLY. All intellectual properties provided herein are for reference purposes only and does not constitute authorization of its use in any format or manner. CONNPLY may enforce its intellectual property rights at its own discretion; failures or delays to exercise such rights does not constitute a waiver of such rights.

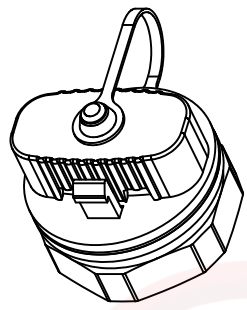
Dept	Qty
DC	1
ED	1
IE	1
ISO	1
PD	1
R&D	1
SD	1
QA	1
QC	1
QE	1

USB Connection	
No.	Color
1	W/O
2	Yellow
3	Green
4	Red
5	W/O
6	W/O
7	White
8	Orange
9	Blue
Shell	Black

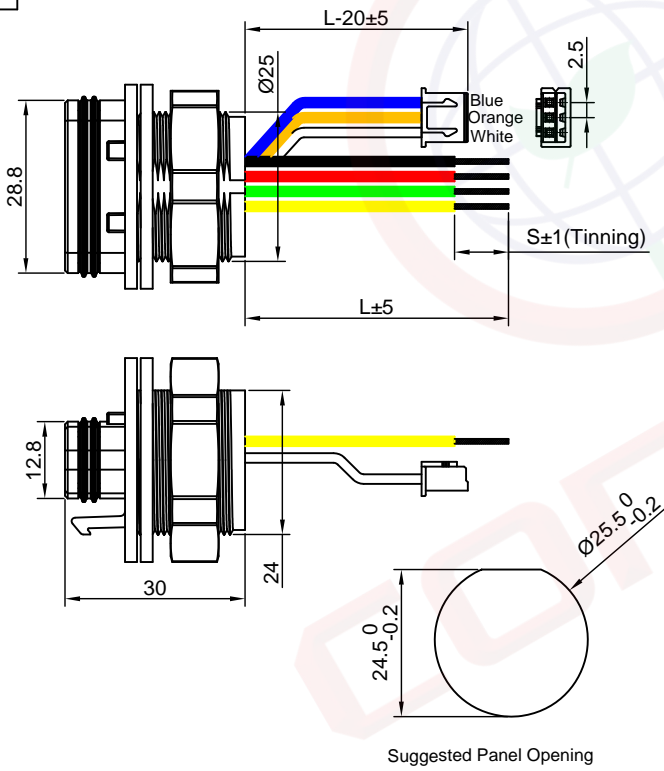
W/ XH Conn.



USB Pin No.



W/ Cover



Suggested Panel Opening

REV.	DESCRIPTION	DRAWN	CHECKED	APPROVED
A	NEW RELEASE	JLZ 12/01/22'		

Notes:

Specifications:

- Contact Resistance: 500mΩ Max.
- Insulation Resistance: 500MΩ Min.
- Dielectric Withstanding Voltage: 500V AC(rms) For 1 Minute.
- Current Rating:3A.
- Voltage Rating:250V AC rms.
- Temperature: -40°C~+85°C.

Materials:

- Insulating material:Nylon.
- Contact material: Copper Alloy.

Product Number Code:

DS1162-06 - X X X X X X X X

- Stripping length(Dim S)
09: 9mm
- Wire length(Dim L)
070: 70mm
- Cover Support
S: W/ Cover
X: W/O Cover
- Contact plating
0: Selective gold flash
- Housing color
B: Black
- Wire gauge
22: 22AWG
- Mounting type
W: Soldering type
- Connector type
F: Female
- No. of contacts
9: 9P

GENERAL TOLERANCE		ANGLE TOLERANCE		PROJECTION		TITLE	
X.	±0.60	X.	±5°	UNITS	mm	Solar Connectors Wire to Wire USB Type	
.X	±0.38	.X	±3°	SHEET SIZE	A4	SERIES	DS1162-06 SERIES
.XX	±0.25	.XX	±2°	晨翔电子有限公司 CONNPLY ELECTRONIC CO. LTD			
DRAWING TYPE		CUSTOMER					
SCALE	1:1	SHEET	1 OF 1				
DRAWING NO.		C-DS1162-06-XXXXX-A					

Dept	
Qty	
DC	1
ED	1
IE	1
ISO	1
PD	1
R&D	1
SD	1
QA	1
QC	1
QE	1

The information provided herein is from CONNPLY Electronic Co., Ltd. and is confidential. Any disclosure to a party other than the recipient is prohibited. The intellectual properties and its rights are strictly prohibited without prior written consent from CONNPLY. All intellectual properties provided herein are for reference purposes only and does not constitute authorization of its use in any format or manner. CONNPLY may enforce its intellectual property rights at its own discretion; failures or delays to exercise such rights does not constitute a waiver of such rights.

REV.	DESCRIPTION	DRAWN	CHECKED	APPROVED
A	NEW RELEASE	JLZ 12/01/22'		

USB Connection	
No.	Color
1	W/O
2	Yellow
3	Green
4	Red
5	W/O
6	W/O
7	White
8	Orange
9	Blue
Shell	Black

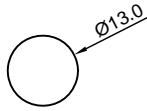
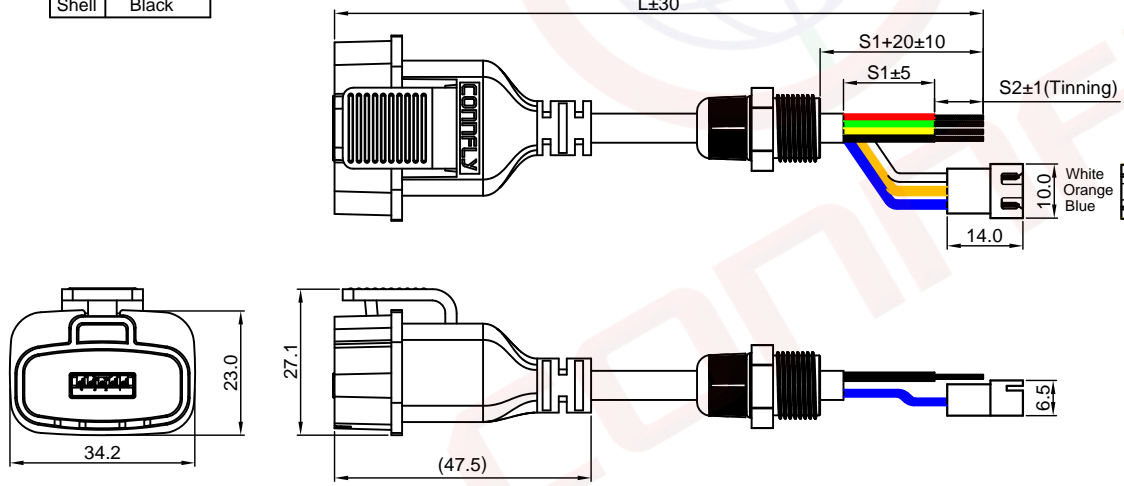
W/ XH Conn.



Notes:
 Specifications:
 1. Contact Resistance: 2Ω Max.
 2. Insulation Resistance: 500MΩ Min.
 3. Dielectric Withstanding Voltage: 500V AC(rms) For 1 Minute.
 4. Current Rating:3A.
 5. Voltage Rating:250V AC rms.
 6. Temperature: -40°C~+85°C.
 Materials:
 1. Insulating material:Nylon.
 2. Contact material: Copper Alloy.
 Product Number Code:

DS1162-06 - X X X X X X X X X X

- Stripping length(Dim S2) 09: 9mm
- Stripping length(Dim S1) 40: 40mm
- Wire length(Dim L) 1600: 1600mm
- Cover Support X: W/O Cover
- Contact plating 0: Selective gold flash
- Housing color B: Black
- Wire gauge 22: 22AWG
- Mounting type W: Soldering type
- Connector type M: Male
- No. of contacts 9: 9P



GENERAL TOLERANCE		ANGLE TOLERANCE	
X.	±0.60	X.	±5°
.X	±0.38	.X	±3°
.XX	±0.25	.XX	±2°
DRAWING TYPE		CUSTOMER	
SCALE	1:1	SHEET	1 OF 1
DRAWING NO.		C-DS1162-06-XXXXX-A	

PROJECTION		TITLE	
UNITS	mm	Solar Connectors Wire to Wire USB Type	
SHEET SIZE	A4	SERIES	DS1162-06 SERIES

晨翔电子有限公司
CONNPLY ELECTRONIC CO. LTD