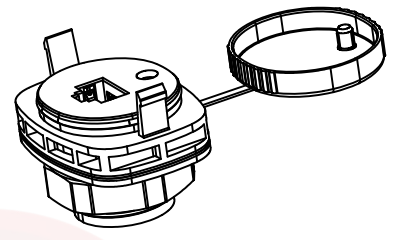
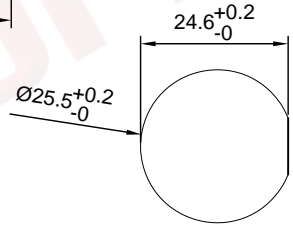
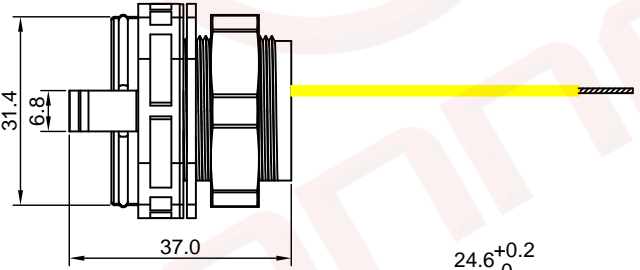
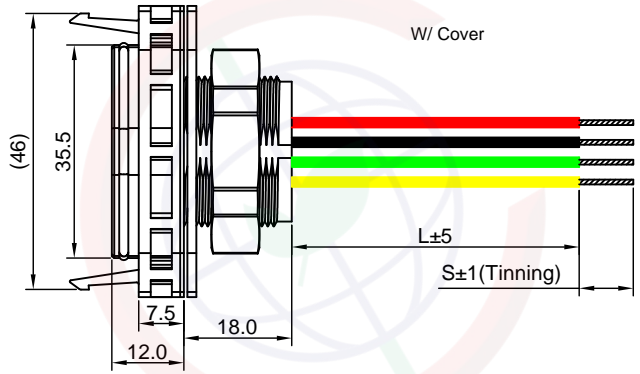
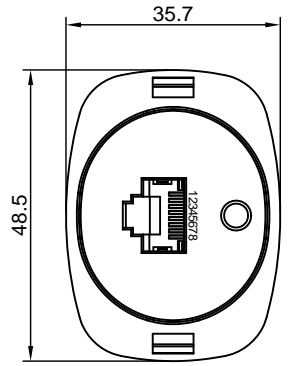


Dept	
Qty	
DC	1
ED	1
IE	1
ISO	1
PD	1
R&D	1
SD	1
QA	1
QC	1
QE	1

The information provided herein is from CONNFLY Electronic Co., Ltd. and is confidential. Any disclosure to a party other than the recipient is prohibited. The intellectual properties and its rights are strictly prohibited without prior written consent from CONNFLY. All intellectual properties provided herein are for reference purposes only and does not constitute authorization of its use in any format or manner. CONNFLY may enforce its intellectual property rights at its own discretion; failures or delays to exercise such rights does not constitute a waiver of such rights.

REV.	DESCRIPTION	DRAWN	CHECKED	APPROVED
A	NEW RELEASE	JLZ 12/01/22'		



W/ Cover

P1 Red
P2 Black
P3 Green
P6 Yellow

L±5
S±1(Tinning)

Notes:

Specifications:

- Contact Resistance: 500mΩ Max.
- Insulation Resistance: 500MΩ Min.
- Dielectric Withstanding Voltage: 500V AC(rms) For 1 Minute.
- Current Rating:4A.
- Voltage Rating:250V AC rms.
- Temperature: -40°C~+85°C.

Materials:


- Insulating material:Nylon.
- Contact material: Copper Alloy.

Product Number Code:

DS1162-05 - X X X X X X X X

- Stripping length(Dim S)
09: 9mm
- Wire length(Dim L)
070: 70mm
- Cover Support
S: W/ Cover
X: W/O Cover
- Contact plating
8: Gold flash
- Housing color
B: Black
- Wire gauge
20: 20AWG
- Mounting type
W: Soldering type
- Connector type
S: Socket
- No. of contacts
8: 8P8C

GENERAL TOLERANCE		ANGLE TOLERANCE		PROJECTION		TITLE	Solar Connectors Wire to Wire RJ45 Type	
X.	±0.60	X.	±5°	UNITS	mm			
.X	±0.38	.X	±3°	SHEET SIZE	A4	SERIES	DS1162-05 SERIES	
.XX	±0.25	.XX	±2°					
DRAWING TYPE		CUSTOMER						
SCALE		1:1		SHEET		1 OF 1		
DRAWING NO.		C-DS1162-05-XXXXX-A						

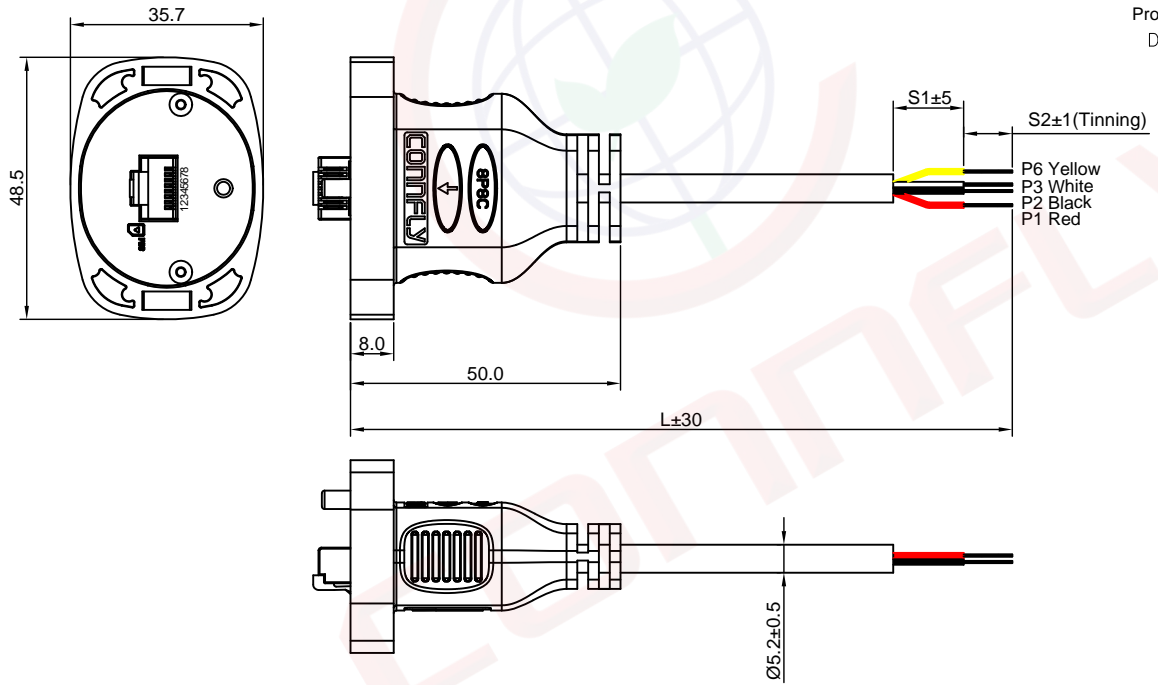


晨翔电子有限公司
CONNFLY CONNFLY ELECTRONIC CO. LTD

The information provided herein is from CONNPLY Electronic Co., Ltd. and is confidential. Any disclosure to a party other than the recipient is prohibited. The intellectual properties and its rights are strictly prohibited without prior written consent from CONNPLY. All intellectual properties provided herein are for reference purposes only and does not constitute authorization of its use in any format or manner. CONNPLY may enforce its intellectual property rights at its own discretion; failures or delays to exercise such rights does not constitute a waiver of such rights.

REV.	DESCRIPTION	DRAWN	CHECKED	APPROVED
A	NEW RELEASE	JLZ 12/01/22'		

Notes:
 Specifications:
 1. Contact Resistance: 2Ω Max.
 2. Insulation Resistance: 500MΩ Min.
 3. Dielectric Withstanding Voltage: 500V AC(rms) For 1 Minute.
 4. Current Rating:4A.
 5. Voltage Rating:250V AC rms.
 6. Temperature: -40°C~+85°C.
 Materials:
 1. Insulating material:Nylon.
 2. Contact material: Copper Alloy.
 Product Number Code:
 DS1162-05 - X X X X X X X X X X



- Stripping length(Dim S2)
09: 9mm
- Stripping length(Dim S1)
40: 40mm
- Wire length(Dim L)
1630: 1630mm
- Shell color
B: Black
- Contact plating
8: Gold flash
- Housing color
B: Black
- Wire gauge
20: 20AWG
- Mounting type
W: Soldering type
- Connector type
P: Plug
- No. of contacts
8: 8P8C

GENERAL TOLERANCE		ANGLE TOLERANCE		PROJECTION		TITLE	
X.	±0.60	X.	±5°	UNITS	mm	Solar Connectors Wire to Wire RJ45 Type	
.X	±0.38	.X	±3°	SHEET SIZE	A4	SERIES	DS1162-05 SERIES
.XX	±0.25	.XX	±2°	晨翔电子有限公司 CONNPLY ELECTRONIC CO. LTD			
DRAWING TYPE		CUSTOMER					
SCALE	1:1	SHEET	1 OF 1				
DRAWING NO.		C-DS1162-05-XXXXX-A					