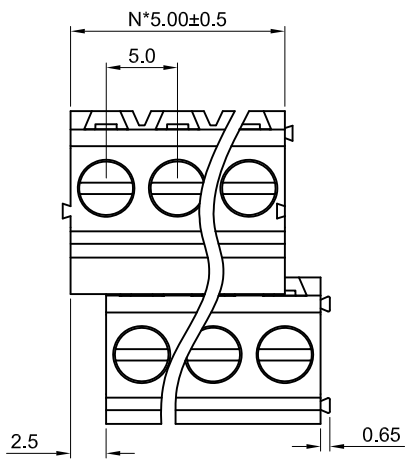


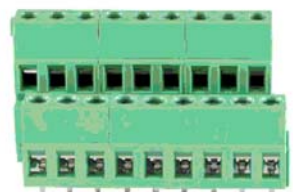
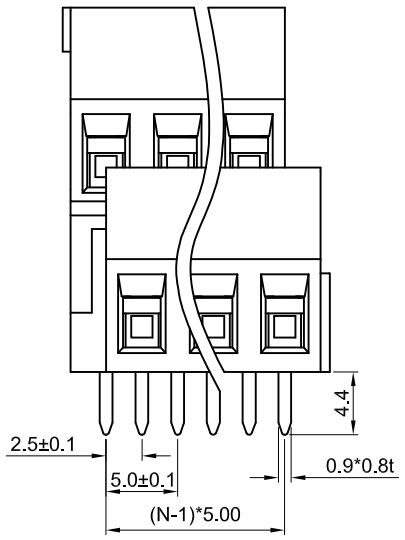
The information provided herein is from CONNELY Electronic Co., Ltd. and is confidential. Any disclosure to a party other than the recipient is prohibited. The intellectual properties and its rights contained herein, including but not limited to, trademarks, patents, copyrights, trade secrets, and technical know-how, are owned exclusively by CONNELY or its affiliates. Unauthorized use or reproduction of this document in any format or manner. CONNELY may enforce its intellectual property rights at its own discretion; failures or delays to exercise such rights does not constitute a waiver of such rights.

1 2 3 4 5 6 7 8

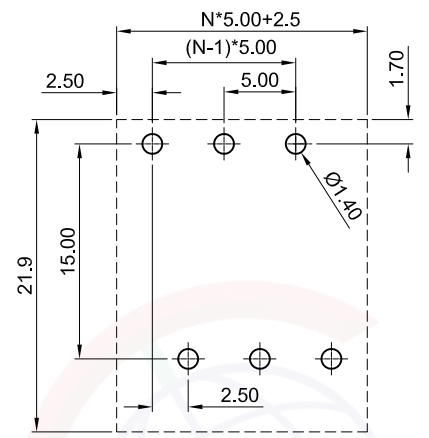
Dept	
Qty	
DC	1
ED	1
IE	1
ISO	1
PD	1
R&D	1
SD	1
QA	1
QC	1
QE	1



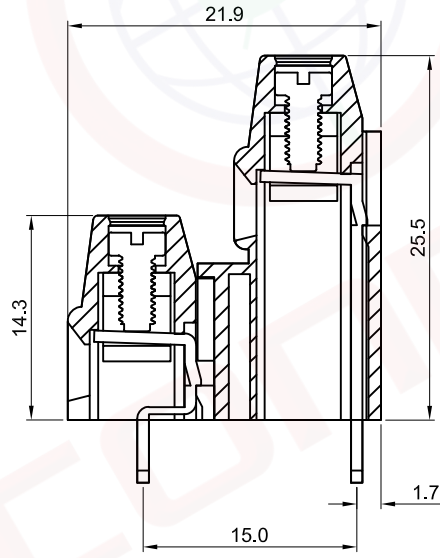
N=No. of contacts



(Series Image-Reference Only)



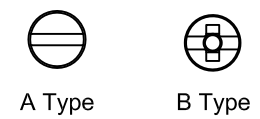
Recommend PCB layout
(Tolerance:±0.05)



REV.	DESCRIPTION	DRAWN	CHECKED	APPROVED
A	NEW RELEASE	JLZ 09/09/22'		

NOTES:
 Standard UL
 Rated voltage:300V
 Rated current:10A
 Wrth standing voltage:AC 1000V/1 Min
 Wire range:24~12AWG
 Temp.Range:-40°C~+105°C
 Pitch:5.00mm
 Poles:2~24P
Materials:
 Contact: Copper Alloy, Tin plated.
 Insulator: Nylon.
 Wire guard:Copper Alloy, Nickel Plated.
 Screw:M2.5, Steel, Zinc Plated.
 Product Number Code:

DS1159-30 - X X X X X
 — Pitch type
 1: 5.00mm
 — Screw type
 A: "—" type
 B: "+ " type
 — Contact plating
 6: Tin
 — Housing color
 G: Green
 — No. of contacts
 2x2-2x24



Screw type

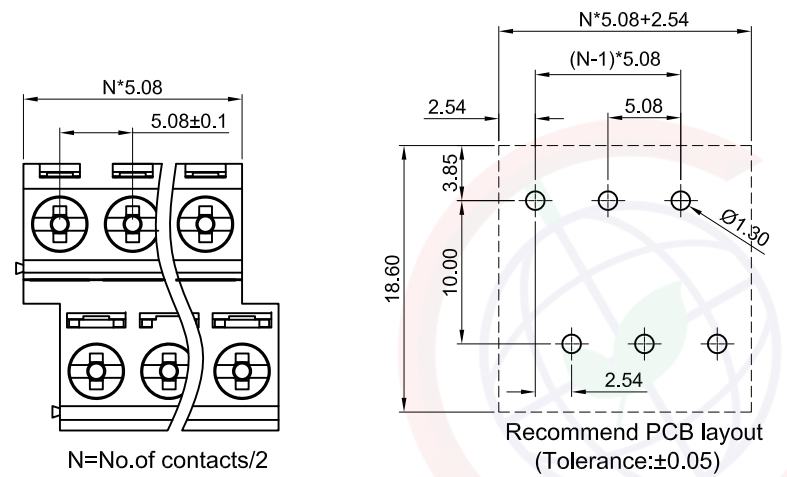
GENERAL TOLERANCE		ANGLE TOLERANCE		PROJECTION	TITLE	5.00mm PCB Screw Terminal Block V/T Type	
X.	±0.60	X.	±5°	UNITS		mm	
.X	±0.38	.X	±3°	SHEET SIZE	A4	SERIES	DS1159-30 SERIES
.XX	±0.25	.XX	±2°	晨翔电子有限公司 CONNELY ELECTRONIC CO. LTD			
DRAWING TYPE		CUSTOMER					
SCALE		1:1	SHEET 1 OF 1				
DRAWING NO.		C-DS1159-30-XXXX-A					

1 2 3 4 5 6 7 8

The information provided herein is from CONNELY Electronic Co., Ltd. and is confidential. Any disclosure to a party other than the recipient is prohibited. The intellectual properties and its rights contained herein, including but not limited to, trademarks, patents, copyrights, trade secrets, and technical know-how, are owned exclusively by CONNELY or its affiliates. Unauthorized use of the information herein, in any format or manner, CONNELY may enforce its intellectual property rights at its own discretion; failures or delays to exercise such rights does not constitute a waiver of such rights.

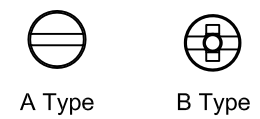
1 2 3 4 5 6 7 8

REV.	DESCRIPTION	DRAWN	CHECKED	APPROVED
A	NEW RELEASE	JLZ 07/05/24'		



NOTES:
 Standard UL
 Rated voltage:300V
 Rated current:10A
 Wrth standing voltage:AC 1000V/1 Min
 Wire range:26~14AWG
 Temp.Range:-40°C~+105°C
 Pitch:5.08mm
 Poles:2x2~2x14P
Materials:
 Contact: Copper Alloy, Tin plated.
 Insulator: Nylon.
 Wire guard:Copper Alloy,Nickel Plated.
 Screw:M2.5,Steel,Zinc Plated.
 Product Number Code:

DS1159-30 - X X X X X
 Pitch type
 2: 5.08mm
 Screw type
 A: "—" type
 B: "+ " type
 Contact plating
 6: Tin
 Housing color
 G: Green
 No.of contacts
 2x2-2x14



Screw type



(Series Image-Reference Only)

GENERAL TOLERANCE		ANGLE TOLERANCE		PROJECTION		TITLE	5.08mm PCB Screw Terminal
X.	±0.60	X.	±5°	UNITS	mm	Block V/T Type	
.X	±0.38	.X	±3°	SHEET SIZE	A4	SERIES	DS1159-30 SERIES
.XX	±0.25	.XX	±2°	晨翔电子有限公司 CONNELY ELECTRONIC CO. LTD			
DRAWING TYPE		CUSTOMER					
SCALE	1:1	SHEET	1 OF 1				
DRAWING NO.		C-DS1159-30-XXXX-A					

1 2 3 4 5 6 7 8