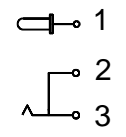
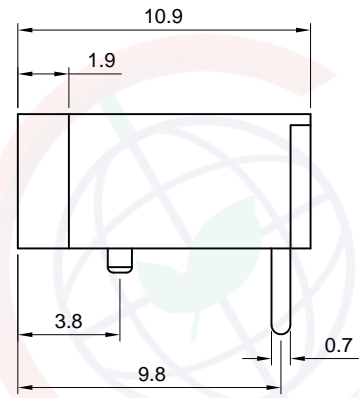
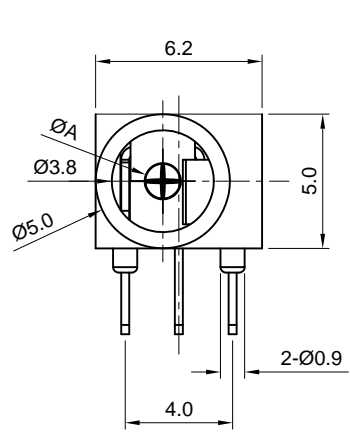


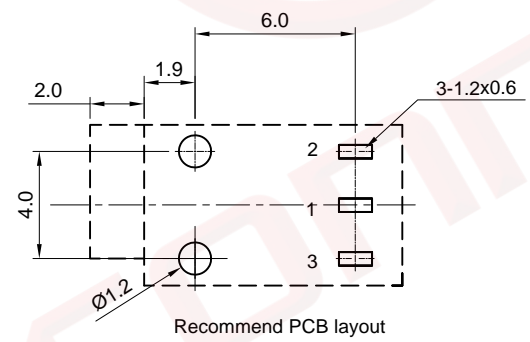
Dept	Qty
DC	1
ED	1
IE	1
ISO	1
PD	1
R&D	1
SD	1
QA	1
QC	1
QE	1

The information provided herein is from CONNELY Electronic Co., Ltd. and is confidential. Any disclosure to a party other than the recipient is prohibited. The intellectual properties and its rights contained herein, including but not limited to, trademarks, patents, copyrights, trade secrets, and technical know-how, are owned exclusively by CONNELY or its affiliates. Unauthorized use or reproduction of any part of this document is strictly prohibited. CONNELY may enforce its intellectual property rights at its own discretion, failures or delays to exercise such rights does not constitute a waiver of such rights.

REV.	DESCRIPTION	DRAWN	CHECKED	APPROVED
A	NEW RELEASE	JLZ 07/13/18'		
B	DRAWING UPDATE	JLZ 12/22/22'		



Circuit diagram



Recommend PCB layout



(Series Image-Reference Only)

NOTES:

- Electrical characteristics:
 - Contact resistance: 30mΩ Max.
 - Dielectric withstanding voltage: 250V AC(rms) for 1 minute.
 - Insulation resistance: 100MΩ Min.
 - Current rating: 0.5A @ DC 30V.
- Environment characteristics:
 - Temperature: -20°C~+80°C.
- Materials
 - Contact material: Copper alloy.
 - Contact plating: Tin
 - Insulator material: Nylon, Black.

4. Product number code:

DS1152-02 - X X X X 0 X X

- Pin Dim. A type
 - 0: A=1.0mm
 - 1: A=1.3mm
- Packing type
 - P: Ploybag
- Housing color
 - B: Black
- Contact Plating
 - Y: Full Tin
- Mounting type
 - R: R/A type
- Connector type
 - S: Socket
- No. of contacts
 - 03

GENERAL TOLERANCE		ANGLE TOLERANCE		PROJECTION		TITLE	
X.	±0.60	X.	±5°	UNITS	mm	ø3.8mm DC Power Jack R/A Type	
.X	±0.38	.X	±3°	SHEET SIZE	A4	SERIES	DS1152-02 SERIES
.XX	±0.25	.XX	±2°	晨翔电子有限公司 CONNFLY ELECTRONIC CO. LTD			
DRAWING TYPE		CUSTOMER					
SCALE	1:1	SHEET	1 OF 1				
DRAWING NO.		C-DS1152-02-XXXXX0XX-B					