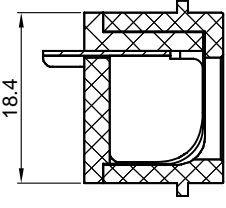
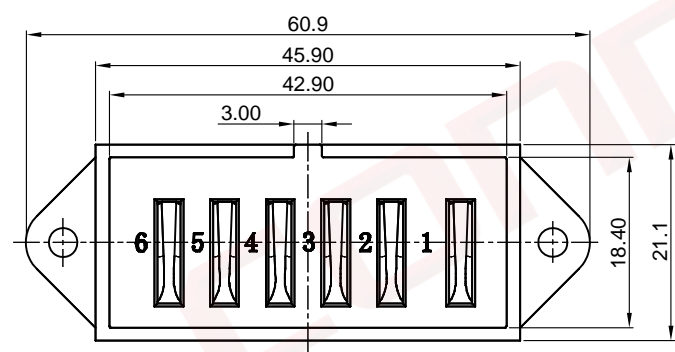
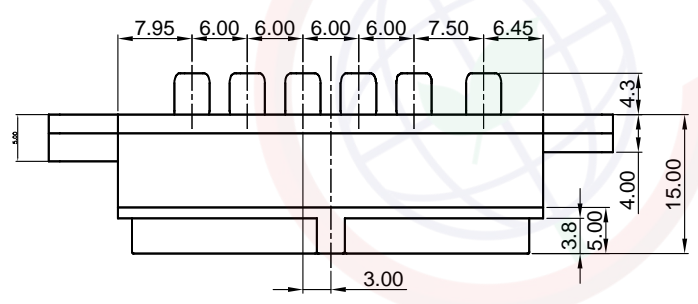
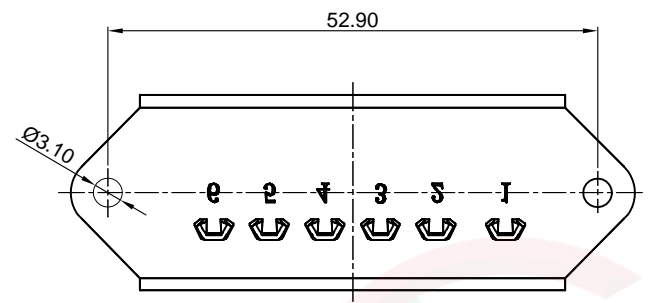


Dept	
Qty	
DC	1
ED	1
IE	1
ISO	1
PD	1
R&D	1
SD	1
QA	1
QC	1
QF	1

The information provided herein is from CONNELY Electronic Co., Ltd. and is confidential. Any disclosure to a party other than the recipient is prohibited. The intellectual properties and its rights contained herein, including but not limited to, trademarks, patents, copyrights, trade secrets, and technical know-how, are owned exclusively by CONNELY or its affiliates. Unauthorized use or reproduction of any part of this document is strictly prohibited. CONNELY may enforce its intellectual property rights at its own discretion, failures or delays to exercise such rights does not constitute a waiver of such rights.

REV.	DESCRIPTION	DRAWN	CHECKED	APPROVED
A	NEW RELEASE	JLZ 04/07/23'		



(Series Image-Reference Only)

Notes:

Specifications:

1. Contact Resistance: 100mΩ Max.
2. Insulation Resistance: 500MΩ Min.
3. Dielectric Withstanding Voltage: 1500V AC(rms) For 1 Minute.
4. Current Rating:15A @ 24V.
5. Temperature: -25°C~+85°C.

Materials:

1. Contact Material: Copper Alloy.
2. Contact Plating: Nickel Plated.
3. Insulator Material: Nylon,Black,UL94-V0.

Product Number Code:

DS1149-11 - X X X X X

- X — Packing type
P: Polybag
- X — Contact plating
N: Nickel
- X — Housing color
B: Black
- X — Connector type
S: Socket
- X — No. of contacts
6: 6Pin

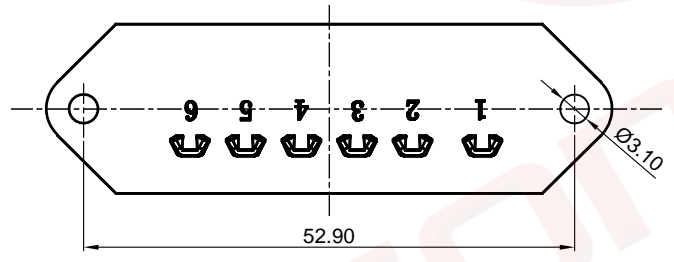
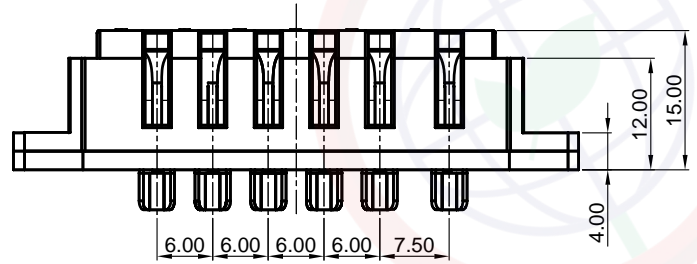
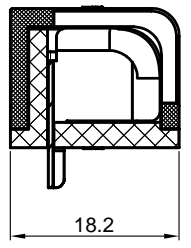
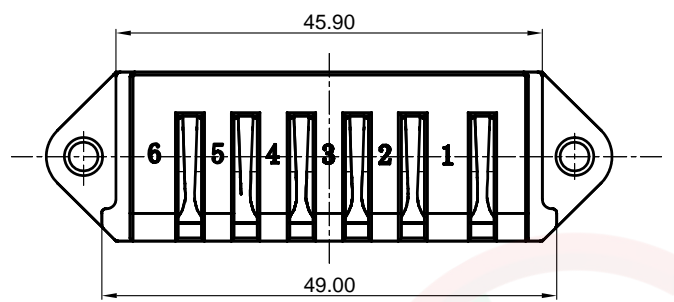
GENERAL TOLERANCE		ANGLE TOLERANCE	
X.	±0.60	X.	±5°
.X	±0.38	.X	±3°
.XX	±0.25	.XX	±2°
DRAWING TYPE		CUSTOMER	
SCALE		1:1	SHEET 1 OF 3
DRAWING NO.		C-DS1149-11-XXXXX-A	

PROJECTION		TITLE	6+7.5mm Battery Holder (6P)
UNITS	mm	SERIES	DS1149-11 SERIES
SHEET SIZE	A4		

晨翔电子有限公司
CONNFLY CONNFLY ELECTRONIC CO. LTD

Dept	
Qty	
DC	1
ED	1
IE	1
ISO	1
PD	1
R&D	1
SD	1
QA	1
QC	1
QE	1

The information provided herein is from CONNELY Electronic Co., Ltd. and is confidential. Any disclosure to a party other than the recipient is prohibited. The intellectual properties and its rights contained herein, including but not limited to, trademarks, patents, copyrights, trade secrets, and technical know-how, are owned exclusively by CONNELY or its affiliates. Unauthorized use or reproduction of any part of this document without the prior written consent of CONNELY may constitute a violation of intellectual property rights. CONNELY may enforce its intellectual property rights at its own discretion, failures or delays to exercise such rights does not constitute a waiver of such rights.



(Series Image-Reference Only)

REV.	DESCRIPTION	DRAWN	CHECKED	APPROVED
A	NEW RELEASE	JLZ 04/07/23'		

Notes:

Specifications:

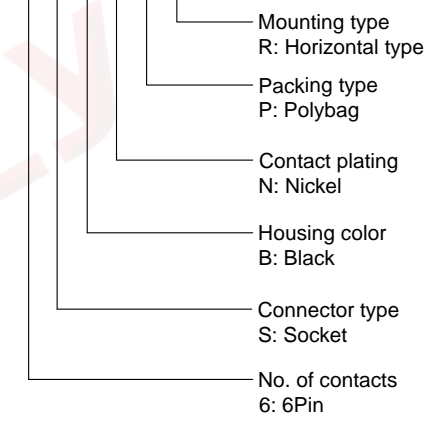
1. Contact Resistance: 100mΩ Max.
2. Insulation Resistance: 500MΩ Min.
3. Dielectric Withstanding Voltage: 1500V AC(rms) For 1 Minute.
4. Current Rating:15A @ 24V.
5. Temperature: -25°C~+85°C.

Materials:

1. Contact Material: Copper Alloy.
2. Contact Plating: Nickel Plated.
3. Insulator Material: Nylon,Black,UL94-V0.

Product Number Code:

DS1149-11 - X X X X X X



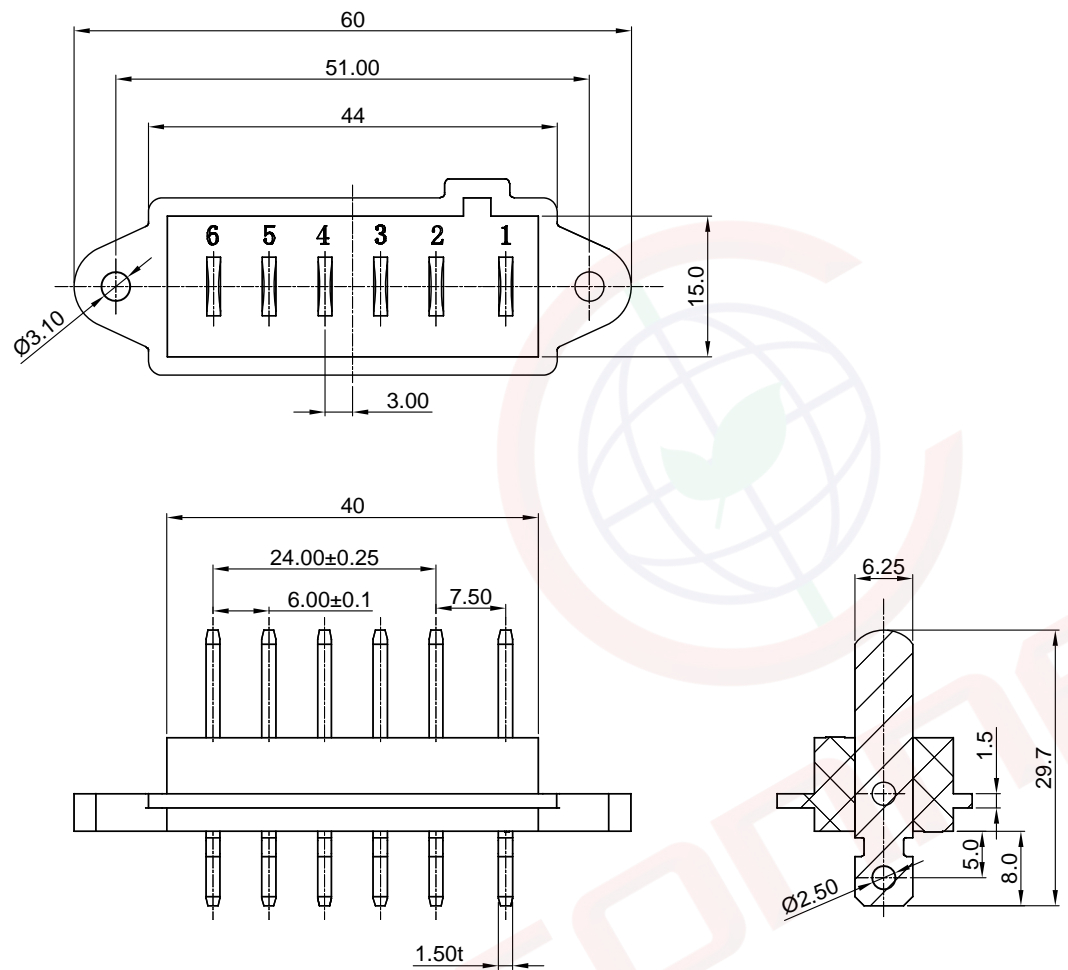
GENERAL TOLERANCE		ANGLE TOLERANCE	
X.	±0.60	X.	±5°
.X	±0.38	.X	±3°
.XX	±0.25	.XX	±2°
DRAWING TYPE		CUSTOMER	
SCALE	1:1	SHEET	2 OF 3
DRAWING NO.	C-DS1149-11-XXXXXX-A		

PROJECTION		TITLE	
UNITS	mm	6+7.5mm Battery Holder (6P)	
SHEET SIZE	A4	SERIES	DS1149-11 SERIES

晨翔电子有限公司
CONNFLY CONNELY ELECTRONIC CO. LTD

The information provided herein is from CONNELY Electronic Co., Ltd. and is confidential. Any disclosure to a party other than the recipient is prohibited. The intellectual properties and its rights contained herein, including but not limited to, trademarks, patents, copyrights, trade secrets, and technical know-how, are owned exclusively by CONNELY or its affiliates. Unauthorized use or reproduction of any part of this document is strictly prohibited. CONNELY may enforce its intellectual property rights at its own discretion, failures or delays to exercise such rights does not constitute a waiver of such rights.

REV.	DESCRIPTION	DRAWN	CHECKED	APPROVED
A	NEW RELEASE	JLZ 04/07/23'		



Notes:

Specifications:

- Contact Resistance: 100mΩ Max.
- Insulation Resistance: 500MΩ Min.
- Dielectric Withstanding Voltage: 1500V AC(rms) For 1 Minute.
- Current Rating: 15A @ 24V.
- Temperature: -25°C~+85°C.

Materials:

- Contact Material: Copper Alloy.
- Contact Plating: Nickel Plated.
- Insulator Material: Nylon, Black, UL94-V0.

Product Number Code:

DS1149-11 - X X X X X

- X — Packing type
P: Polybag
- X — Contact plating
N: Nickel
- X — Housing color
B: Black
- X — Connector type
P: Plug
- X — No. of contacts
6: 6Pin



(Series Image-Reference Only)

GENERAL TOLERANCE		ANGLE TOLERANCE		PROJECTION		TITLE	
X.	±0.60	X.	±5°	UNITS	mm	6+7.5mm Battery Holder (6P)	
.X	±0.38	.X	±3°	SHEET SIZE	A4	SERIES	DS1149-11 SERIES
.XX	±0.25	.XX	±2°	晨翔电子有限公司 CONNELY ELECTRONIC CO. LTD			
DRAWING TYPE		CUSTOMER					
SCALE	1:1	SHEET	3 OF 3				
DRAWING NO.		C-DS1149-11-XXXXX-A					