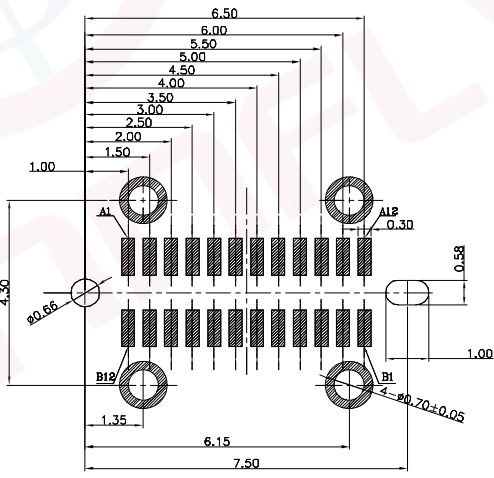
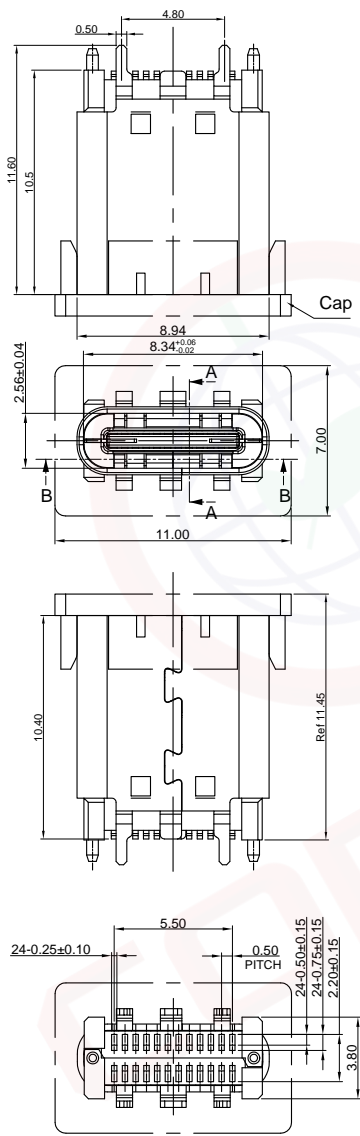
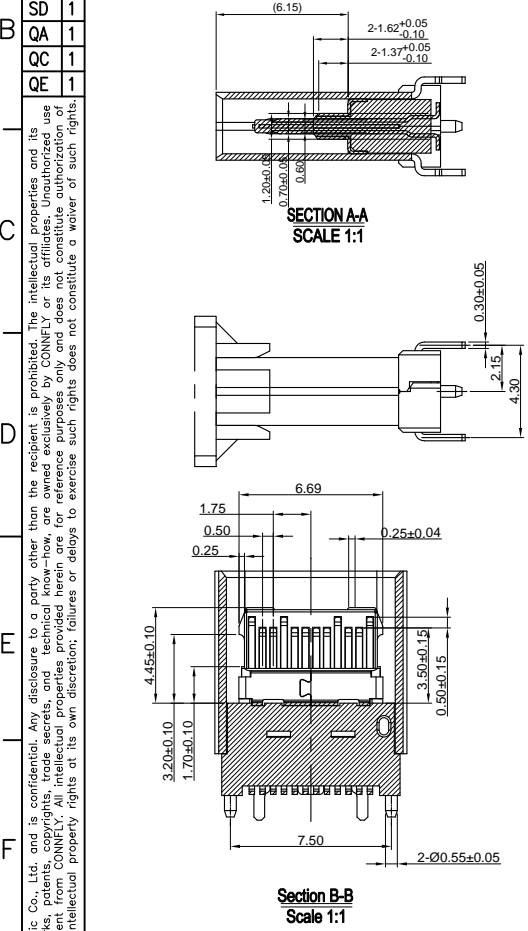


The information provided herein is from CONNELY Electronic Co., Ltd. and is confidential. Any disclosure to a party other than the recipient is prohibited. The intellectual properties and its rights contained herein, including but not limited to, trademarks, patents, copyrights, trade secrets, and technical know-how, are owned exclusively by CONNELY or its affiliates. Unauthorized use or reproduction of any part of this document is strictly prohibited. CONNELY may enforce its intellectual property rights at its own discretion, failures or delays to exercise such rights does not constitute a waiver of such rights.

REV.	DESCRIPTION	DRAWN	CHECKED	APPROVED
A	NEW RELEASE	JLZ 08/08/18'		
B	DRAWING UPDATE	JLZ 05/07/22'		



Recommended PCB layout (T=1.0mm)
Tolerance=±0.05mm

NOTES:

- 1.1 Insulator resistance: 100MΩ Min. at 100V DC.
- 1.2 Current rating: 3A Max.
- 1.3 Dielectric strength: AC 100V for 1 minute.
- 1.4 Housing: Thermoplastic (UL 94-0).
- 1.5 Contact: Copper alloy
- 1.6 Outer shell: Copper alloy
- 1.7 Inner shell: Stainless steel
- 1.8 Product number code:

DS1144-03 - X X X X X X X X

- Cap Support
S: W/ Cap
X: W/O Cap
- Packing Type
T: Tray
R: Tape On Reel
- Shell Plating
N: Full Nicke
Housing color
B: Black
- Contact Plating
8: Gold flash
- Mounting type
S: SMT type
- Connector type
F: Female
- No. of contacts
24: 24pin



(Series Image-Reference Only)

GENERAL TOLERANCE		ANGLE TOLERANCE		PROJECTION		TITLE
X.	±0.60	X.	±5°	UNITS	mm	USB C TYPE FEMALE V/T SMT TYPE
.X	±0.38	.X	±3°	SHEET SIZE	A4	SERIES DS1144-03 SERIES
.XX	±0.25	.XX	±2°			
DRAWING TYPE		CUSTOMER		晨翔电子有限公司 CONNFLY CONNFLY ELECTRONIC CO., LTD		
SCALE		1:1				
DRAWING NO.		C-DS1144-03-XXXXXXX-B				