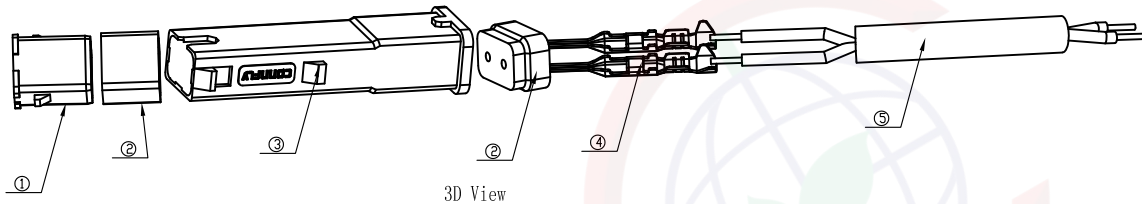


Dept
Qty
DC 1
ED 1
IE 1
ISO 1
PD 1
R&D 1
SD 1
QA 1
QC 1
QE 1

The information provided herein is from CONNELY Electronic Co., Ltd. and is confidential. Any disclosure to a party other than the recipient is prohibited. The intellectual properties and its rights contained herein, including but not limited to, trademarks, patents, copyrights, trade secrets, and technical know-how, are owned exclusively by CONNELY or its affiliates. Unauthorized use or reproduction of this information in any format or manner, CONNELY may enforce its intellectual property rights at its own discretion; failures or delays to exercise such rights does not constitute a waiver of such rights.

REV.	DESCRIPTION	DRAWN	CHECKED	APPROVED
A	NEW RELEASE	Kevin 09/18/16'	HZW 09/18/16'	LJC 09/18/16'
B	DRAWING UPDATE	JLZ 05/02/18'	HZW 05/02/18'	LJC 05/02/18'
C	ADD P/N CODE	JLZ 11/15/18'		



Notes:

1.Materials:See Table A.

2.Specifications:

- 2.1. Contact Resistance: 500mΩ/m maximum.
- 2.2. Dielectric Withstanding Voltage: 500V AC(r.m.s).
- 2.3. Insulation Resistance: 500MΩ Min.
- 2.4. Temperature Range: -20°C~+80°C.
- 2.5. Current Rating:2A.

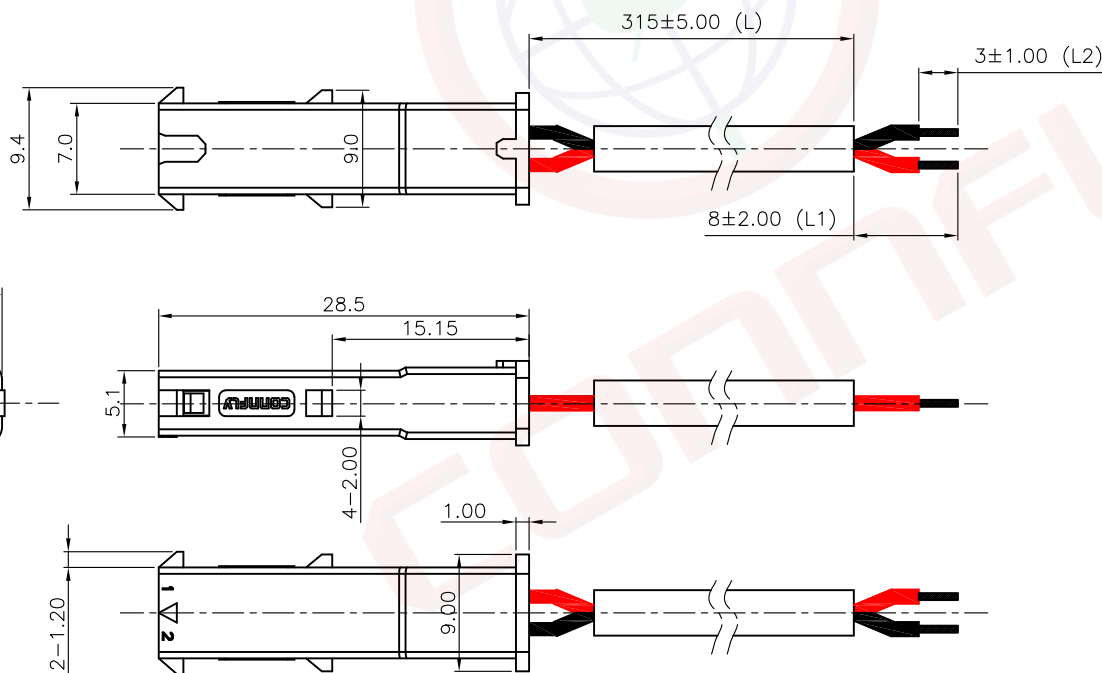
3. Product Number Code:

DS1142-01 - X X X X X X S X X - S

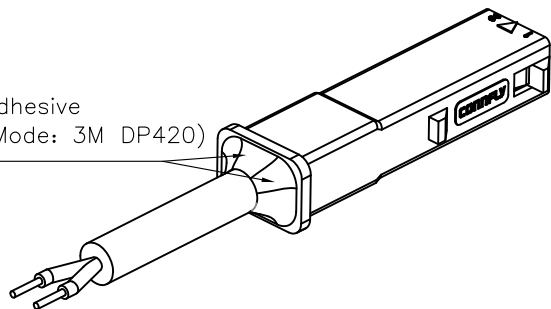
- Adhesive Support
- S: W/ Adhesive
- N/A Code: W/O Adhesive
- Wire length Inside(Dim L2)
- 03: 3.00mm
- Wire length Outside(Dim L1)
- 08: 8.00mm
- Wire length(Dim L)
- 0315: 315mm
- Housing Color
- V: Ivory
- Pin plating
- 6: Full tin.
- Mounting type
- C:Crimp Type
- Wire Gauge
- 24:UL2464 24AWG
- Connector type
- S: Socket
- No. of positions
- 2: 2p

Table A:

No.	Part Name	Q'TY	Material	Finishes/Color	Remarks
5	WIRE	1	CONDUCTOR:INNED COPPER WIRE INSULATION:PVC	UL 2464 24 AWG	
4	TERMINAL	4	COPPER ALLOY	Tin Plated	
3	HOUSING	1	PA-66	Color of Ivory	
2	WATER PROOF CIRCLE	1	SILASTIC	Color of Black	
1	BLOCK	1	PBT	Color of Green	




Adhesive
(Mode: 3M DP420)



GENERAL TOLERANCE		ANGLE TOLERANCE	
X.	±0.60	X.	±5°
.X	±0.38	.X	±3°
.XX	±0.25	.XX	±2°

DRAWING TYPE	CUSTOMER		
SCALE	1:1	SHEET	1 OF 4
DRAWING NO.	C-DS1142-01-XSXXXXXSXX-S-C		

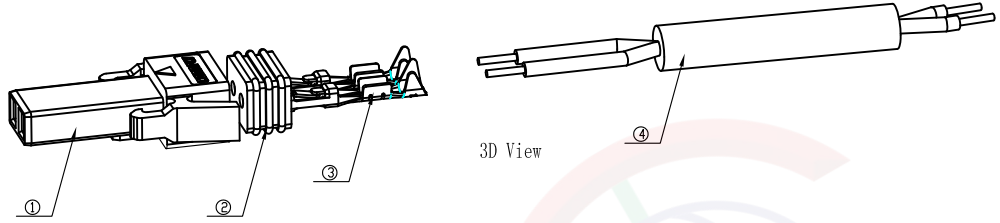
PROJECTION	TITLE
UNITS	2.5mm Water Proof Socket Series
SHEET SIZE	A4
SERIES	DS1142-01 SERIES

 晨翔电子有限公司
CONNFLY CONNELY ELECTRONIC CO. LTD

The information provided herein is from CONNELY Electronic Co., Ltd. and is confidential. Any disclosure to a party other than the recipient is prohibited. The intellectual properties and its rights contained herein, including but not limited to, trademarks, patents, copyrights, trade secrets, and technical know-how, are owned exclusively by CONNELY or its affiliates. Unauthorized use of this information in any format or manner. CONNELY may enforce its intellectual property rights at its own discretion; failures or delays to exercise such rights does not constitute a waiver of such rights.

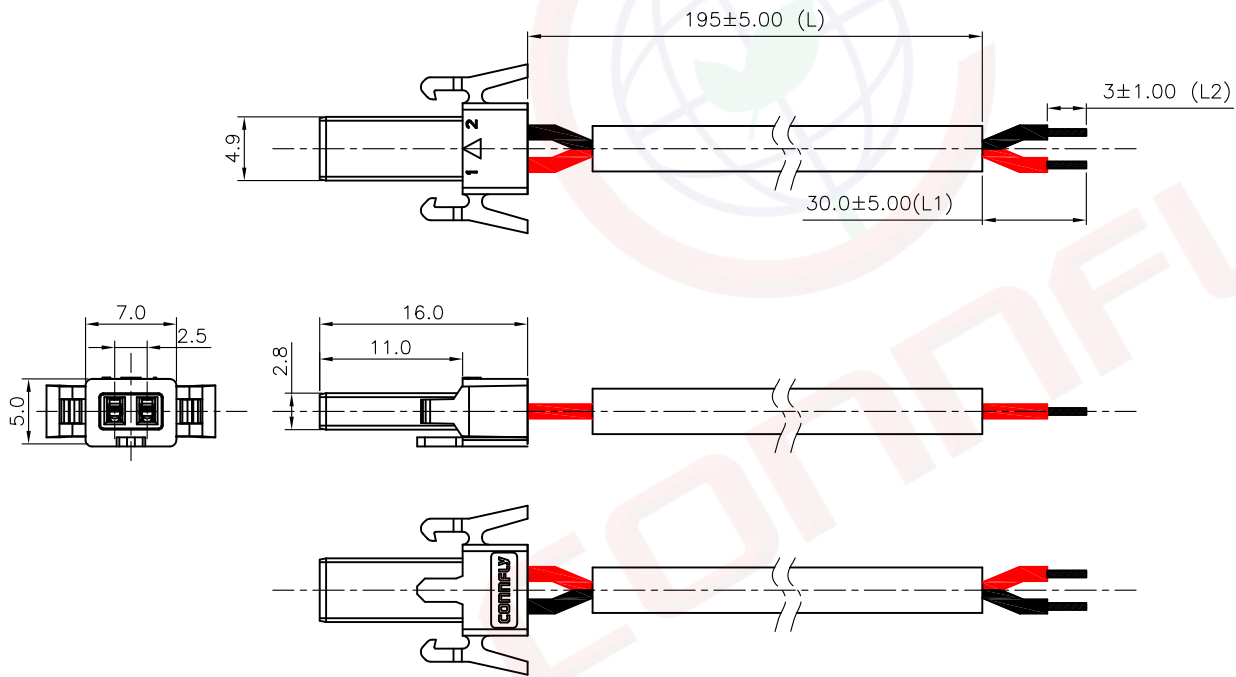
1 2 3 4 5 6 7 8

REV.	DESCRIPTION	DRAWN	CHECKED	APPROVED
A	NEW RELEASE	Kevin 09/18/16'	HZW 09/18/16'	LJC 09/18/16'
B	DRAWING UPDATE	JLZ 05/02/18'	HZW 05/02/18'	LJC 05/02/18'
C	ADD P/N CODE	JLZ 11/15/18'		



Notes:

- Materials: See Table A.
- Specifications:
 - Contact Resistance: 500mΩ/m maximum.
 - Dielectric Withstanding Voltage: 300V AC(r.m.s.).
 - Insulation Resistance: 500MΩ Min.
 - Temperature Range: -20°C~+80°C.
 - Current Rating: 2A.
- Product Number Code:
DS1142-01 - X P X X X X S X X



Wire length Inside(Dim L2)
 3: 3.00mm
 Wire length Outside(Dim L1)
 30: 30mm
 Wire length(Dim L)
 0195: 195mm
 Housing Color
 V: Ivory
 Pin plating
 6: Full tin.
 Mounting type
 C: Crimp Type
 Wire Gauge
 24: UL2464 24AWG
 Connector type
 P: Plug
 No. of positions
 2: 2p

TABLE A:

NO.	Part Name	Q'ty	Material	Finishes/Color	Remarks
4	WIRE	1	CONDUCTOR: LINED COPPER WIRE INSULATION: PVC	UL 2464 24 AWG	
3	TERMINAL	4	COPPER ALLOY	Tin Plated	
2	WATER PROOF CIRCLE	1	SILASTIC	Color of Black	
1	HOUSING	1	PA-66	Color of Ivory	

GENERAL TOLERANCE		ANGLE TOLERANCE	
X.	±0.60	X.	±5°
.X	±0.38	.X	±3°
.XX	±0.25	.XX	±2°

PROJECTION	TITLE
UNITS mm	2.5mm Water Proof Socket Series
SHEET SIZE A4	SERIES DS1142-01 SERIES

DRAWING TYPE	CUSTOMER
SCALE 1:1	SHEET 2 OF 4
DRAWING NO. C-DS1142-01-XPXXXXSX-S-C	

晨翔电子有限公司
CONNELY CONNELY ELECTRONIC CO. LTD

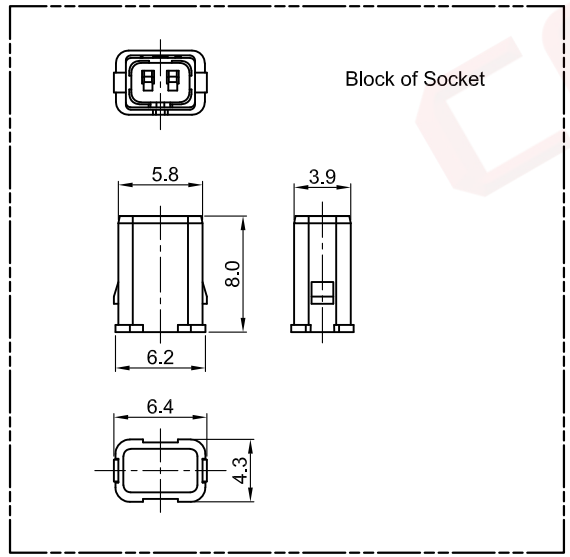
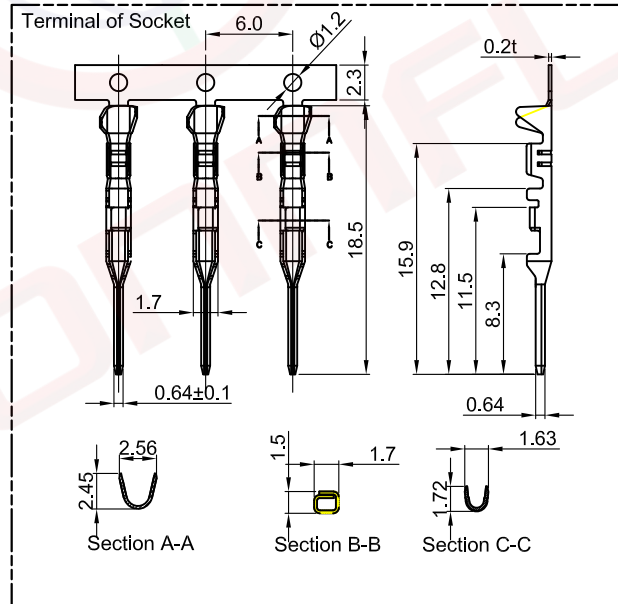
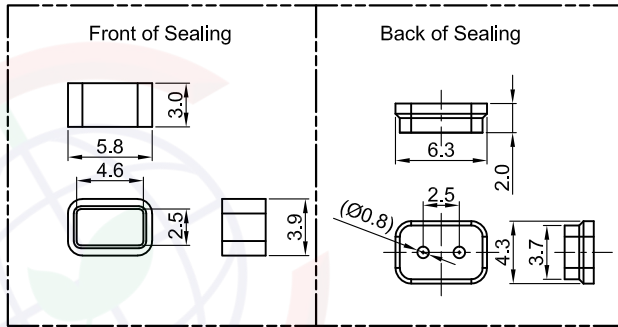
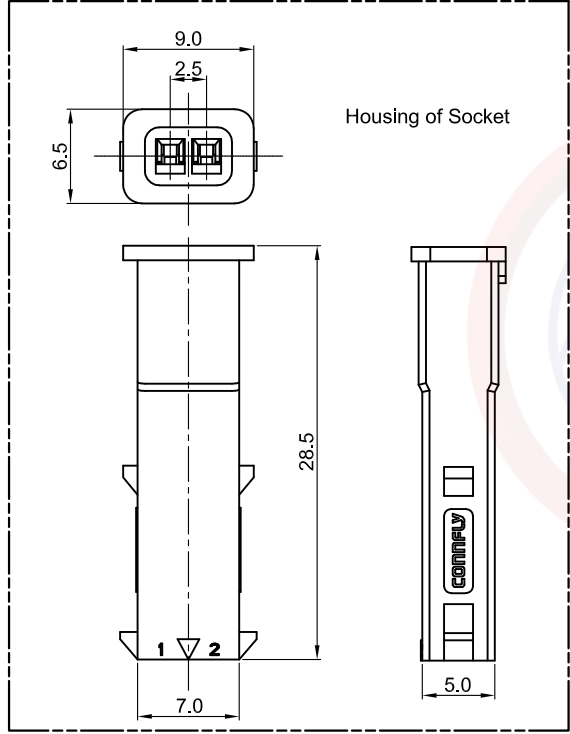
1 2 3 4 5 6 7 8

Dept
Qty
DC 1
ED 1
IE 1
ISO 1
PD 1
R&D 1
SD 1
QA 1
QC 1
QE 1

The information provided herein is from CONNELY Electronic Co., Ltd. and is confidential. Any disclosure to a party other than the recipient is prohibited. The intellectual properties and its rights contained herein, including but not limited to, trademarks, patents, copyrights, trade secrets, and technical know-how, are owned exclusively by CONNELY or its affiliates. Unauthorized use of the information herein, in any format or manner, CONNELY may enforce its intellectual property rights at its own discretion; failures or delays to exercise such rights does not constitute a waiver of such rights.

Parts of Socket

REV.	DESCRIPTION	DRAWN	CHECKED	APPROVED
A	NEW RELEASE	JLZ 07/15/24'		



1. Product number code:
Housing:
I-DS1142-01 - S C W 1 02
No. of hole 02: 2 Pos
Housing Color W: Ivory
Block:
C-DS1142-01 - S C G 1 02
Apply hole 02: 2 Pos
Cover Color G: Green
Front of Sealing:
B-DS1142-01 - F C B F 1 02
Sealing Type F: Front type
Cover Color B: Black
Back of Sealing:
B-DS1142-01 - S C B B 1 02 - DJ
Sealing Type B: Back type
Cover Color B: Black
Terminal:
T-DS1071 - P C 6 0 0
Contact plating 6: Tin

GENERAL TOLERANCE		ANGLE TOLERANCE	
X.	±0.60	X.	±5°
.X	±0.38	.X	±3°
.XX	±0.25	.XX	±2°
DRAWING TYPE		CUSTOMER	
SCALE		1:1	SHEET 3 OF 4
DRAWING NO.		C-DS1142-01-XXXXXX-A	

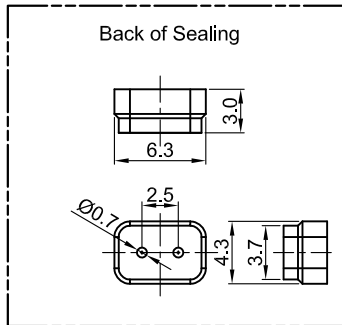
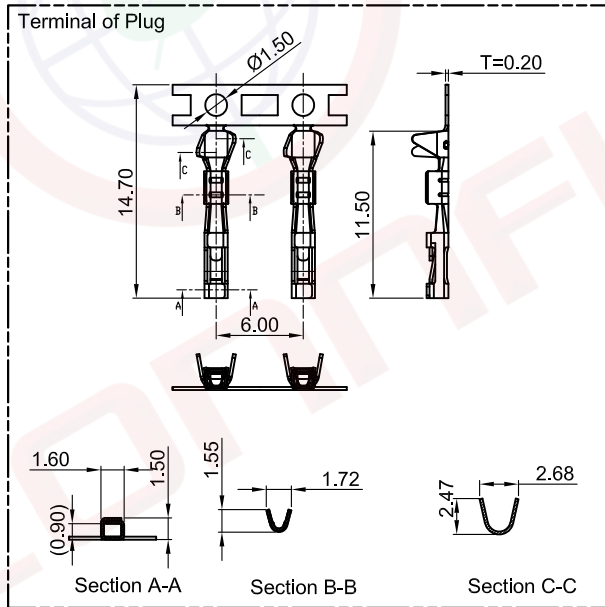
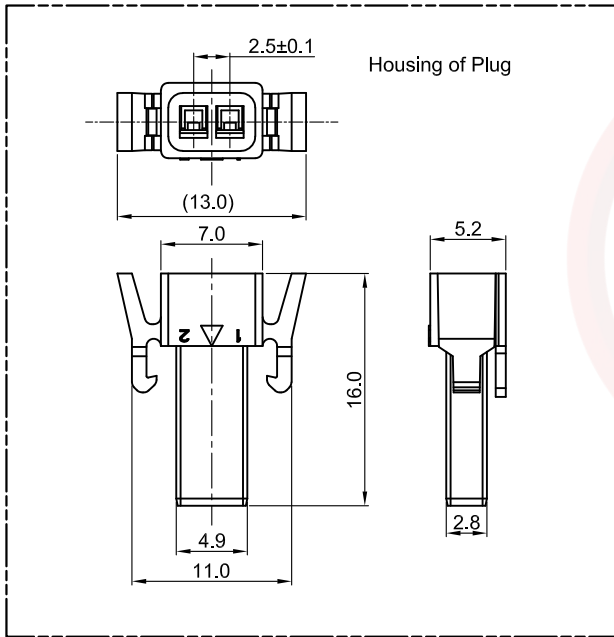
PROJECTION	TITLE
	2.50mm Water Proof Housing
UNITS	mm
SHEET SIZE	A4
SERIES	DS1142-01 SERIES

晨翔电子有限公司
CONNELY CONNELY ELECTRONIC CO. LTD

Dept
 Qty
 DC 1
 ED 1
 IE 1
 ISO 1
 PD 1
 R&D 1
 SD 1
 QA 1
 QC 1
 QF 1
 The information provided herein is from CONNELY Electronic Co., Ltd. and is confidential. Any disclosure to a party other than the recipient is prohibited. The intellectual properties and its rights contained herein, including but not limited to, trademarks, patents, copyrights, trade secrets, and technical know-how, are owned exclusively by CONNELY or its affiliates. Unauthorized use of the information herein is strictly prohibited. CONNELY may enforce its intellectual property rights at its own discretion; failures or delays to exercise such rights does not constitute a waiver of such rights.

Parts of Plug

REV.	DESCRIPTION	DRAWN	CHECKED	APPROVED
A	NEW RELEASE	JLZ 07/15/24'		



1. Product number code:

Housing:

I-DS1142-01 - P C W 1 02

No. of hole
02: 2 Pos
Housing Color
W: Ivory

Back of Sealing:

B-DS1142-01 - F C B B 1 02

Sealing Type
B: Back type

Cover Color
B: Black

Terminal:

T-DS1071 - S C 6 0 0

Contact plating
6: Tin

GENERAL TOLERANCE		ANGLE TOLERANCE	
X.	±0.60	X.	±5°
.X	±0.38	.X	±3°
.XX	±0.25	.XX	±2°

PROJECTION	TITLE
	2.50mm Water Proof Housing
UNITS	mm
SHEET SIZE	A4
SERIES	DS1142-01 SERIES

DRAWING TYPE	CUSTOMER
SCALE	1:1 SHEET 4 OF 4
DRAWING NO.	C-DS1142-01-XXXXXX-A

晨翔电子有限公司
CONNFLY CONNELY ELECTRONIC CO. LTD