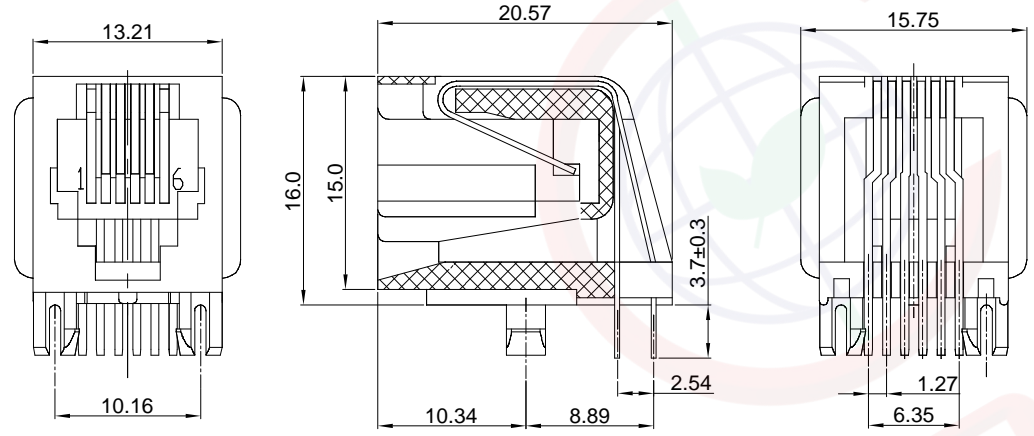


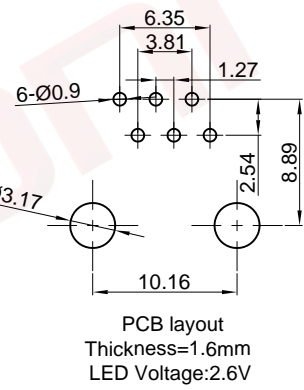
Dept	Qty
DC	1
ED	1
IE	1
ISO	1
PD	1
R&D	1
SD	1
QA	1
QC	1
QE	1

REV.	DESCRIPTION	DRAWN	CHECKED	APPROVED
A	NEW RELEASE	LL 06/26/06'		
B	DRAWING UPDATE	JLZ 07/20/15'		
C	DRAWING UPDATE	JLZ 12/02/22'		

The information provided herein is from CONNELY Electronic Co., Ltd. and is confidential. Any disclosure to a party other than the recipient is prohibited. The intellectual properties and its rights contained herein, including but not limited to, trademarks, patents, copyrights, trade secrets, and technical know-how, are owned exclusively by CONNELY or its affiliates. Unauthorized use or reproduction of any part of this document is strictly prohibited. CONNELY may enforce its intellectual property rights at its own discretion, failures or delays to exercise such rights does not constitute a waiver of such rights.



(Series Image-Reference Only)



Notes:

- Electrical Characteristics:
  - Contact Resistance: 20mΩ Max.
  - Dielectric Withstanding Voltage: 500V AC(rms) For 1 Minute.
  - Insulation Resistance: 1000MΩ Min.
  - Current Rating:1.5A.
  - Voltage Rating:150V AC rms.
- Environment Characteristics:
  - Temperature: -40°C~+85°C.
- Materials:
  - Contact Material: Copper Alloy, T=0.35mm.
  - Contact Plating: Selective Gold Flash.
  - Insulator Materials: PBT or Nylon, UL94-V0.
- Product Number Code:

DS1133-01- X X X X X X

- Ear Support  
S:W/ Ear  
X:W/O Ear
- Housing Materials  
P:PBT  
N:Nylon(PA46 For Selective 50u"gold)
- Housing Color  
B:Black
- Contact Plating  
0:Selective Gold Flash  
3:Selective 3u" Gold  
6:Selective 6u" Gold  
15:Selective 15u" Gold  
30:Selective 30u" Gold  
50:Selective 50u" Gold
- No.Of Contacts  
4:6P4C 6:6P6C
- Connector Type  
S:Socket

GENERAL TOLERANCE		ANGLE TOLERANCE		PROJECTION		TITLE	PCB Jack 6 Positions
X.	±0.60	X.	±5°	UNITS	mm	W/O Shell L=20.57mm	
.X	±0.38	.X	±3°	SHEET SIZE	A4	SERIES	DS1133-01 SERIES
.XX	±0.25	.XX	±2°	<b>晨翔电子有限公司</b> <b>CONNFLY ELECTRONIC CO. LTD</b>			
DRAWING TYPE		CUSTOMER					
SCALE		1:1					
DRAWING NO.		C-DS1133-01-XXXXXX-C					