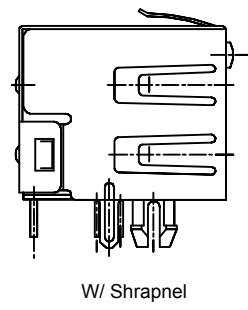
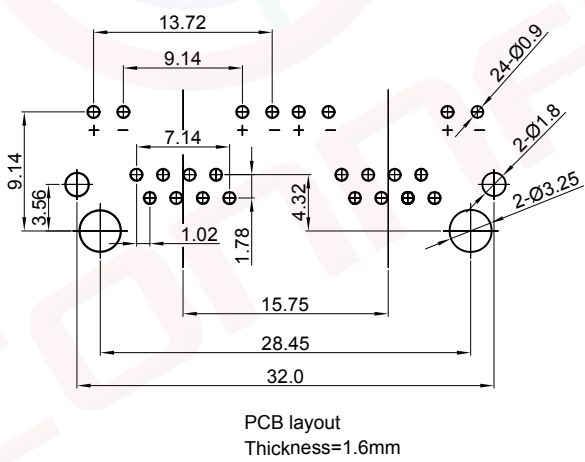
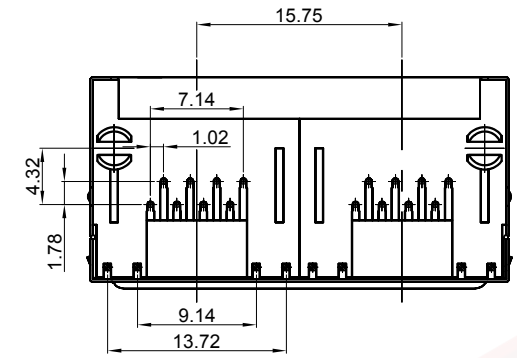
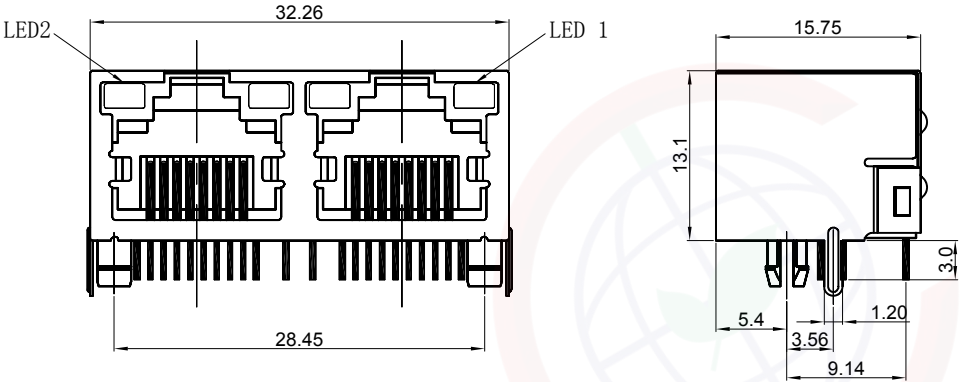


| | |
|------|---|
| Dept | |
| Qty | |
| DC | 1 |
| ED | 1 |
| IE | 1 |
| ISO | 1 |
| PD | 1 |
| R&D | 1 |
| SD | 1 |
| QA | 1 |
| QC | 1 |
| QE | 1 |

The information provided herein is from CONNELY Electronic Co., Ltd. and is confidential. Any disclosure to a party other than the recipient is prohibited. The intellectual properties and its rights contained herein, including but not limited to, trademarks, patents, copyrights, trade secrets, and technical know-how, are owned exclusively by CONNELY or its affiliates. Unauthorized use or reproduction of any part of this document without the prior written permission of CONNELY may result in legal action. CONNELY may enforce its intellectual property rights at its own discretion, failures or delays to exercise such rights does not constitute a waiver of such rights.

| REV. | DESCRIPTION | DRAWN | CHECKED | APPROVED |
|------|----------------|---------------|---------|----------|
| A | NEW RELEASE | JLZ 02/20/17' | | |
| B | DRAWING UPDATE | JLZ 09/08/22' | | |
| | | | | |
| | | | | |



Notes:

- Electrical Characteristics:
 - Contact Resistance: 30mΩ Max.
 - Dielectric Withstanding Voltage: 1000V AC(rms) For 1 Minute.
 - Insulation Resistance: 500MΩ Min.
 - Current Rating: 1.5A.
 - Voltage Rating: 125V AC rms.
- Environment Characteristics:
 - Temperature: -40°C~+85°C.
- Materials:
 - Contact Material: Copper Alloy.
 - Contact Plating: Gold flash.
 - Insulator Materials: PBT,UL94-V0.
- Product Number Code:

DS1129-08-X X X X X X X

- LED Type
 - 1:LED1 Green LED2 Yellow
 - 2:LED1 Yellow LED2 Green
- Shell Type
 - S:W/ Shrapnel
 - X:W/O Shrapnel
- Housing Materials
 - P:PBT
- Contact Plating
 - 8:Gold flash
 -
- Housing Color
 - B:Black
- No.Of Contacts
 - 8:8p8c
- Connector Type
 - S:Socket

| GENERAL TOLERANCE | | ANGLE TOLERANCE | |
|-------------------|----------------------|-----------------|--------|
| X. | ±0.60 | X. | ±5° |
| .X | ±0.38 | .X | ±3° |
| .XX | ±0.25 | .XX | ±2° |
| DRAWING TYPE | | CUSTOMER | |
| SCALE | 1:1 | SHEET | 1 OF 1 |
| DRAWING NO. | C-DS1129-08-XXXXXX-B | | |

| PROJECTION | | TITLE | PCB Jack 8 Positions 1*2 Port W/ Shell 3.56mm With LED Type |
|------------|----|--------|---|
| UNITS | mm | SERIES | DS1129-08 SERIES |
| SHEET SIZE | A4 | | |

晨翔电子有限公司
CONNFLY CONNELY ELECTRONIC CO. LTD