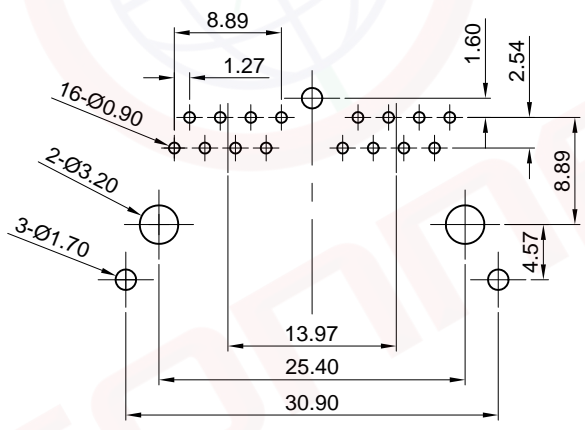
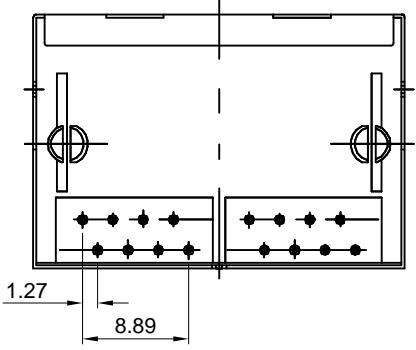
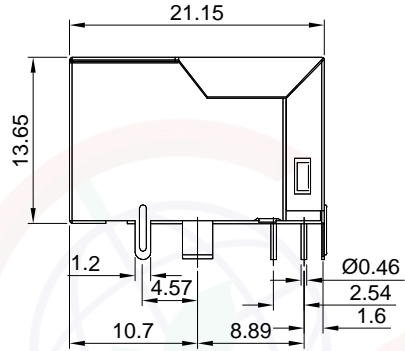
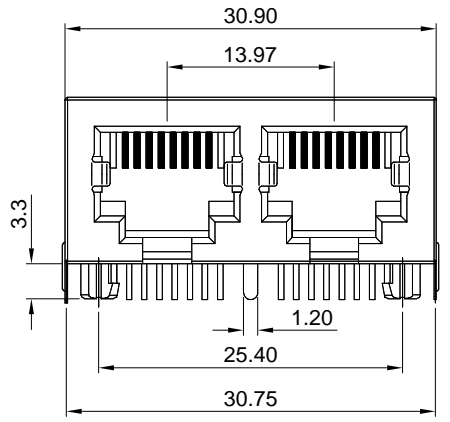


Dept	
Qty	
DC	1
ED	1
IE	1
ISO	1
PD	1
R&D	1
SD	1
QA	1
QC	1
QE	1

The information provided herein is from CONNELY Electronic Co., Ltd. and is confidential. Any disclosure to a party other than the recipient is prohibited. The intellectual properties and its rights contained herein, including but not limited to, trademarks, patents, copyrights, trade secrets, and technical know-how, are owned exclusively by CONNELY or its affiliates. Unauthorized use or reproduction of any information contained herein, in any form or by any means, without the prior written permission of CONNELY, is strictly prohibited. CONNELY may enforce its intellectual property rights at its own discretion, failures or delays to exercise such rights does not constitute a waiver of such rights.

REV.	DESCRIPTION	DRAWN	CHECKED	APPROVED
A	NEW RELEASE	JLZ 08/01/16'		
B	DRAWING UPDATE	JLZ 03/08/22'		



PCB layout  
Thickness=1.6mm



(Series Image-Reference Only)

Notes:

- Electrical Characteristics:
  - Contact Resistance: 20mΩ Max.
  - Dielectric Withstanding Voltage: 500V AC(rms) For 1 Minute.
  - Insulation Resistance: 500MΩ Min.
  - Current Rating:1.5A.
  - Voltage Rating:125V AC rms.
- Environment Characteristics:
  - Temperature: -40°C~+85°C.
- Materials:
  - Contact Material: Copper Alloy.
  - Contact Plating: Gold flash.
  - Insulator Materials: PBT or PA66,UL94-V0.
- Product Number Code:

DS1129-05	-	X	X	X	X	-	X
		Shell Type					
		N/A Code:W/ Shrapnel					
		X:W/O Shrapnel					
		Housing Material					
		P:PBT					
		N:Nylon					
		Housing Color					
		B:Black					
		Contact Plating					
		0: Gold flash					
		.....					
		No.Of Contacts					
		8:8p8c					
		Connector Type					
		S:Socket					

GENERAL TOLERANCE		ANGLE TOLERANCE		PROJECTION		TITLE	PCB Jack 8 Positions 1*2 Port W/ Shell	
X.	±0.60	X.	±5°	UNITS	mm	4.57mm Type		
.X	±0.38	.X	±3°	SHEET SIZE	A4	SERIES	DS1129-05 SERIES	
.XX	±0.25	.XX	±2°	<b>晨翔电子有限公司</b> CONNELY ELECTRONIC CO., LTD				
DRAWING TYPE		CUSTOMER						
SCALE		1:1						
DRAWING NO.		C-DS1129-05-XXXXX-X-B						