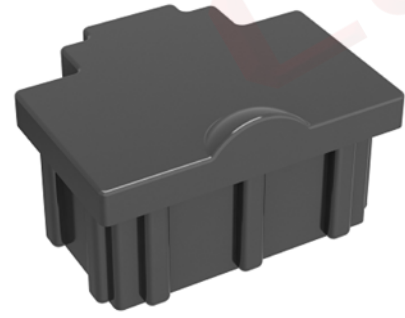
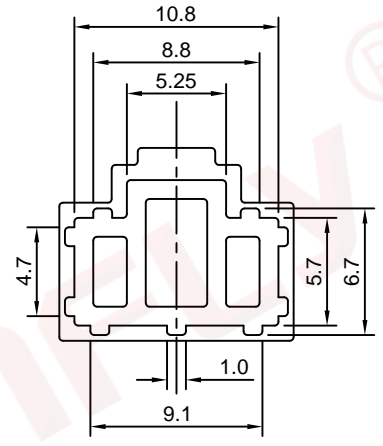
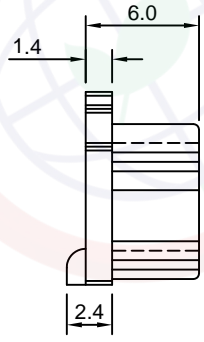
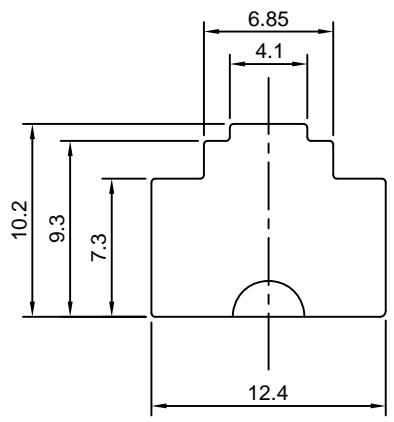


Dept	
Qty	
DC	1
ED	1
IE	1
ISO	1
PD	1
R&D	1
SD	1
QA	1
QC	1
QF	1

REV.	DESCRIPTION	DRAWN	CHECKED	APPROVED
A	NEW RELEASE	JLZ 01/09/20'		

The information provided herein is from CONNELY Electronic Co., Ltd. and is confidential. Any disclosure to a party other than the recipient is prohibited. The intellectual properties and its rights contained herein, including but not limited to, trademarks, patents, copyrights, trade secrets, and technical know-how, are owned exclusively by CONNELY or its affiliates. Unauthorized use or reproduction of any part of this document is strictly prohibited. CONNELY reserves the right to make changes to this document without notice and to exercise such rights as it deems necessary. CONNELY may enforce its intellectual property rights at its own discretion, failures or delays to exercise such rights does not constitute a waiver of such rights.



(Series Image-Reference Only)

NOTES:

1. MATERIAL: Thermoplastic
2. Product Number Code:

DS1128-16 - P X

- └─ Housing Color  
B:Black
- └─ Connector Type  
P:Plug

GENERAL TOLERANCE		ANGLE TOLERANCE		PROJECTION		TITLE	
X.	±0.60	X.	±5°	UNITS	mm	RJ45 Jack Anti-Dust Cap H=6mm	
.X	±0.38	.X	±3°	SHEET SIZE	A4	SERIES	DS1128-16 SERIES
.XX	±0.25	.XX	±2°	<b>晨翔电子有限公司</b> CONNELY ELECTRONIC CO., LTD			
DRAWING TYPE		CUSTOMER					
SCALE	1:1	SHEET	1 OF 1				
DRAWING NO.		C-DS1128-16-XX-A					