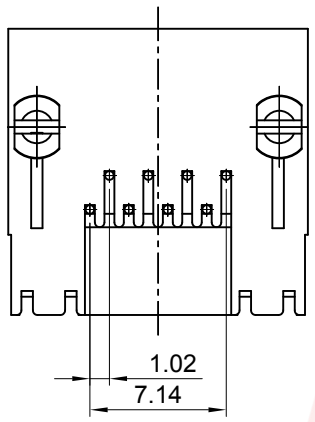
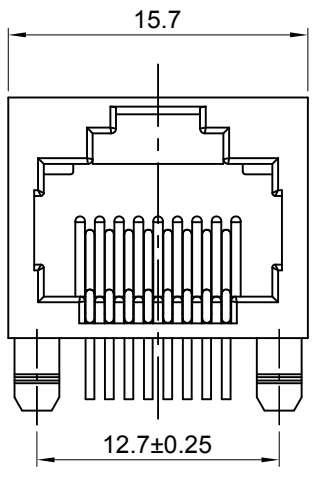
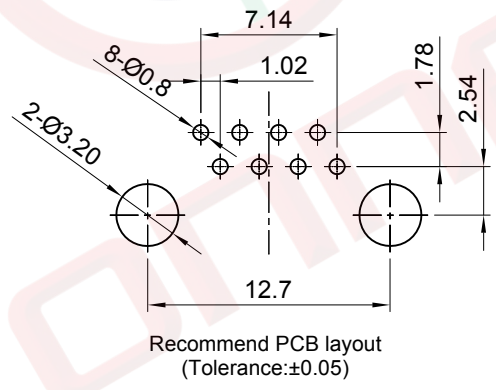
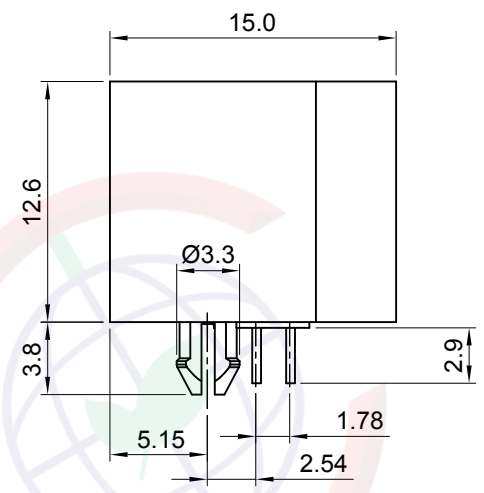


Dept	Qty
DC	1
ED	1
IE	1
ISO	1
PD	1
R&D	1
SD	1
QA	1
QC	1
QF	1

The information provided herein is from CONNELY Electronic Co., Ltd. and is confidential. Any disclosure to a party other than the recipient is prohibited. The intellectual properties and its rights contained herein, including but not limited to, trademarks, patents, copyrights, trade secrets, and technical know-how, are owned exclusively by CONNELY or its affiliates. Unauthorized use or reproduction of any part of this document is strictly prohibited. CONNELY may enforce its intellectual property rights at its own discretion, failures or delays to exercise such rights does not constitute a waiver of such rights.



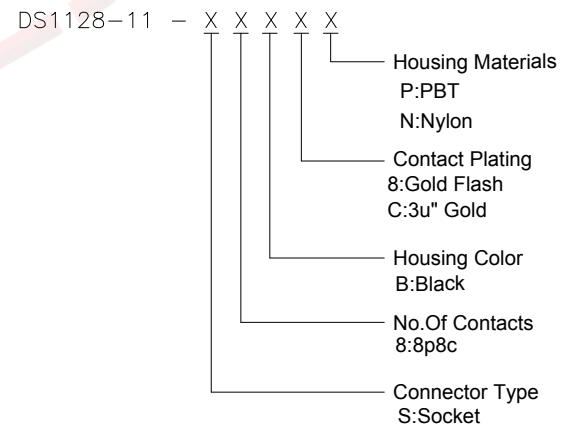
(Series Image-Reference Only)



REV.	DESCRIPTION	DRAWN	CHECKED	APPROVED
A	NEW RELEASE	JLZ 09/05/17'	HZW 09/05/17'	LJC 09/05/17'
B	DRAWING UPDATE	JLZ 07/22/19'		

NOTES:

- Electrical Characteristics:
  - Contact Resistance: 50mΩ Max.
  - Dielectric Withstanding Voltage: 500V AC(rms) for 1 minute.
  - Insulation Resistance: 1000MΩ Min.
  - Current Rating:1.5A.
  - Voltage Rating:125V AC RMS.
- Environment Characteristics:
  - Temperature: -40°C~+85°C.
- Materials
  - Contact: Copper Alloy,Gold Flash.
  - Insulator Material: PBT or Nylon,Black.
- Product Number Code:



GENERAL TOLERANCE		ANGLE TOLERANCE		PROJECTION		TITLE	PCB JACK 8P 1PORT W/O Shell
X.	±0.60	X.	±5°	UNITS	mm		2.54mm After of Post Type
.X	±0.38	.X	±3°	SHEET SIZE	A4	SERIES	DS1128-11 SERIES
.XX	±0.25	.XX	±2°				
DRAWING TYPE		CUSTOMER					
SCALE		1:1	SHEET	1 OF 1			
DRAWING NO.		C-DS1128-11-XXXX-B					

