

The information provided herein is from CONNELY Electronic Co., Ltd. and is confidential. Any disclosure to a party other than the recipient is prohibited. The intellectual properties and its rights contained herein, including but not limited to, trademarks, patents, copyrights, trade secrets, and technical know-how, are owned exclusively by CONNELY or its affiliates. Unauthorized use or modification is strictly prohibited. CONNELY may enforce its intellectual property rights at its own discretion, failure or delays to exercise such rights does not constitute a waiver of such rights.

1 2 3 4 5 6 7 8

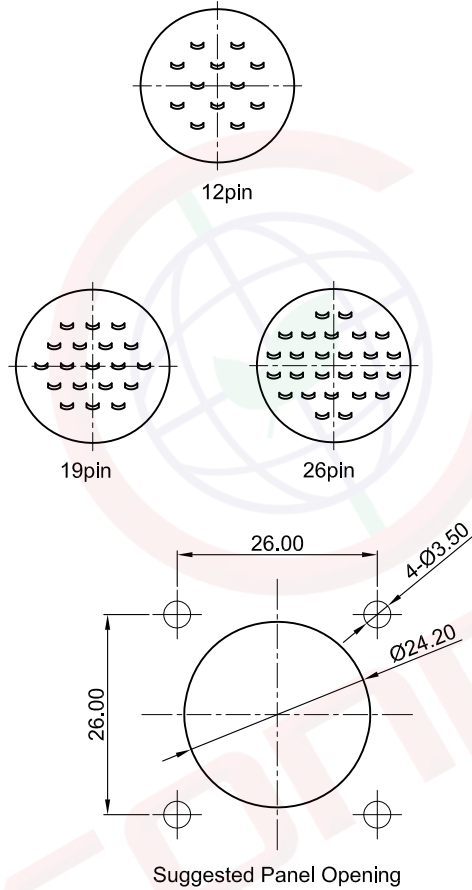
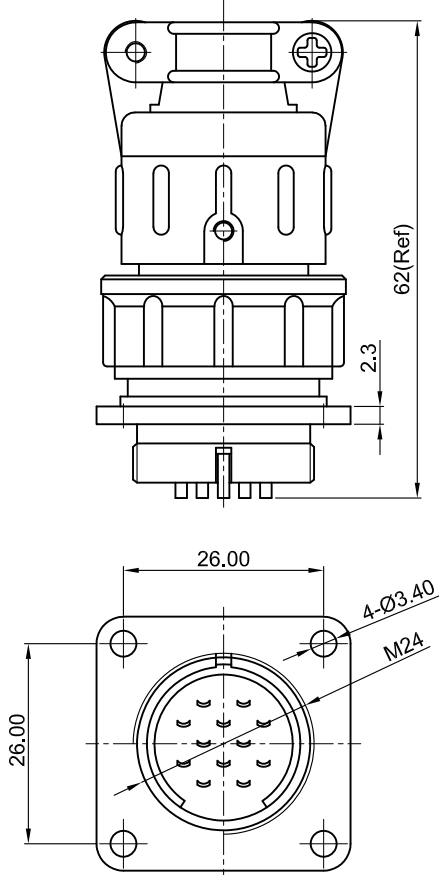
REV.	DESCRIPTION	DRAWN	CHECKED	APPROVED
A	NEW RELEASE	YCH 08/17/07'		LJC 08/07/17'
B	DRAWING UPDATE	JLZ 07/09/22'		

Notes:
 Specifications:
 1. Contact Resistance: 20mΩ Max.
 2. Insulation Resistance: 1000MΩ Min.
 3. Dielectric Withstanding Voltage: 1000V AC(rms)
 For 1 Minute.
 4. Current Rating:5A.
 5. Temperature: -40°C~+105°C.

Materials:
 1. Contact Material: Copper Alloy.
 2. Contact Plating: Silver.
 3. Insulator Material: Bakelite,Blue.
 4. Shell Material: Zinc Alloy.

Product Number Code:
 DS1110-07 - X X X X

Shell Surface Finished
 P: Spray The Paint (Gray)
 Contact plating
 Y: Silver
 Color of housing:
 L: Blue
 No. of contacts
 12 19 26



(Series Image-Reference Only)

GENERAL TOLERANCE		ANGLE TOLERANCE		PROJECTION		TITLE	Micro Jack Total Length=62mm Ref.
X.	±0.60	X.	±5°	UNITS	mm		
.X	±0.38	.X	±3°	SHEET SIZE	A4	SERIES	DS1110-07 SERIES
.XX	±0.25	.XX	±2°	晨翔电子有限公司 CONNELY CONNELY ELECTRONIC CO. LTD			
DRAWING TYPE		CUSTOMER					
SCALE		1:1 SHEET 1 OF 1					
DRAWING NO.		C-DS1110-07-XXXX-B					

1 2 3 4 5 6 7 8