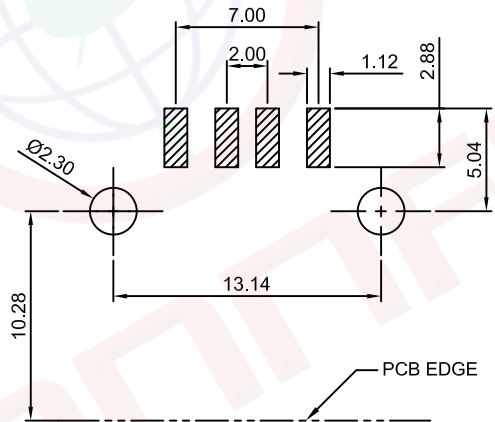
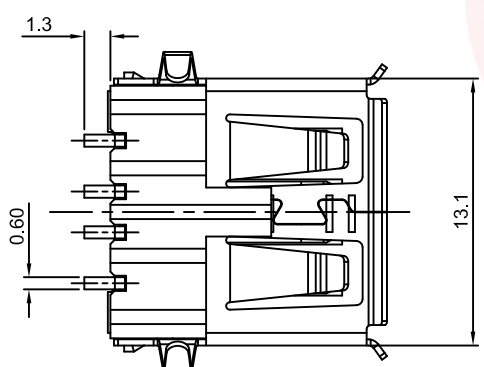
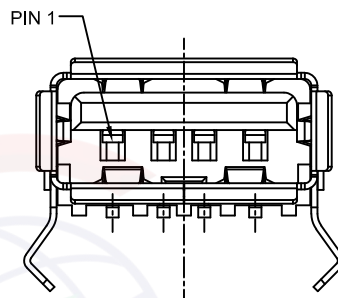
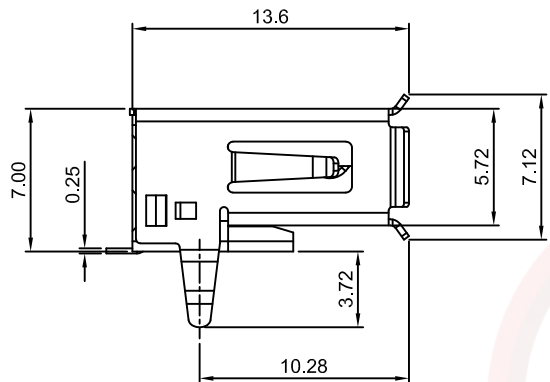


The information provided herein is from CONNELY Electronic Co., Ltd. and is confidential. Any disclosure to a party other than the recipient is prohibited. The intellectual properties and its rights contained herein, including but not limited to, trademarks, patents, copyrights, trade secrets, and technical know-how, are owned exclusively by CONNELY or its affiliates. Unauthorized use of this information in any format or manner. CONNELY may enforce its intellectual property rights at its own discretion; failures or delays to exercise such rights does not constitute a waiver of such rights.

1 2 3 4 5 6 7 8

REV.	DESCRIPTION	DRAWN	CHECKED	APPROVED
A	NEW RELEASE	LL 11/13/06'		LJC 11/13/06'
B	DRAWING UPDATE	JLZ 08/26/19'		



(Series Image-Reference Only)

Notes:  
 Specifications:  
 1. Contact Resistance: 30mΩ Max.  
 2. Insulation Resistance: 1000MΩ Min.  
 3. Dielectric Withstanding Voltage: 750V AC(rms) For 1 Minute.  
 4. Current Rating:1.5A Max  
 5. Voltage Rating:30V Max  
 6. Temperature: -40°C~+85°C.  
 Materials:  
 1. Contact Material: Copper Alloy.  
 2. Shell Material: Copper Alloy or Steel.  
 3. Insulator Material: High temp,UL94-V0.  
 Mechanical Characteristics:  
 1. Mating Force:3.57Kgf Maximum.  
 2. Unmating Force:1.02Kgf Minimum.  
 3. Durability:1500 Cycles  
 Product Number Code:  
 DS1095 - X X X X - X

X Shell material  
 Fe: Steel  
 N/A Code: Copper alloy  
 Contact plating  
 0: Selective gold flash  
 03: Selective gold 3u"  
 30: Selective gold 30u"  
 Mounting type  
 M: SMT  
 Shell plating  
 N: Nickel  
 6: Tin  
 Color of housing  
 W: White  
 B: Black

GENERAL TOLERANCE		ANGLE TOLERANCE	
X.	±0.60	X.	±5°
.X	±0.38	.X	±3°
.XX	±0.25	.XX	±2°

DRAWING TYPE	CUSTOMER		
SCALE	1:1	SHEET	1 OF 1
DRAWING NO.	C-DS1095-XXMX-B		

PROJECTION		TITLE	USB Female A Type SMT series	
UNITS	mm	SERIES	DS1095 SERIES	

**晨翔电子有限公司**  
**CONNFLY CONNELY ELECTRONIC CO. LTD**

1 2 3 4 5 6 7 8